

# ***PARTS MANUAL***

**2150-QB**



**Front-End Loader**

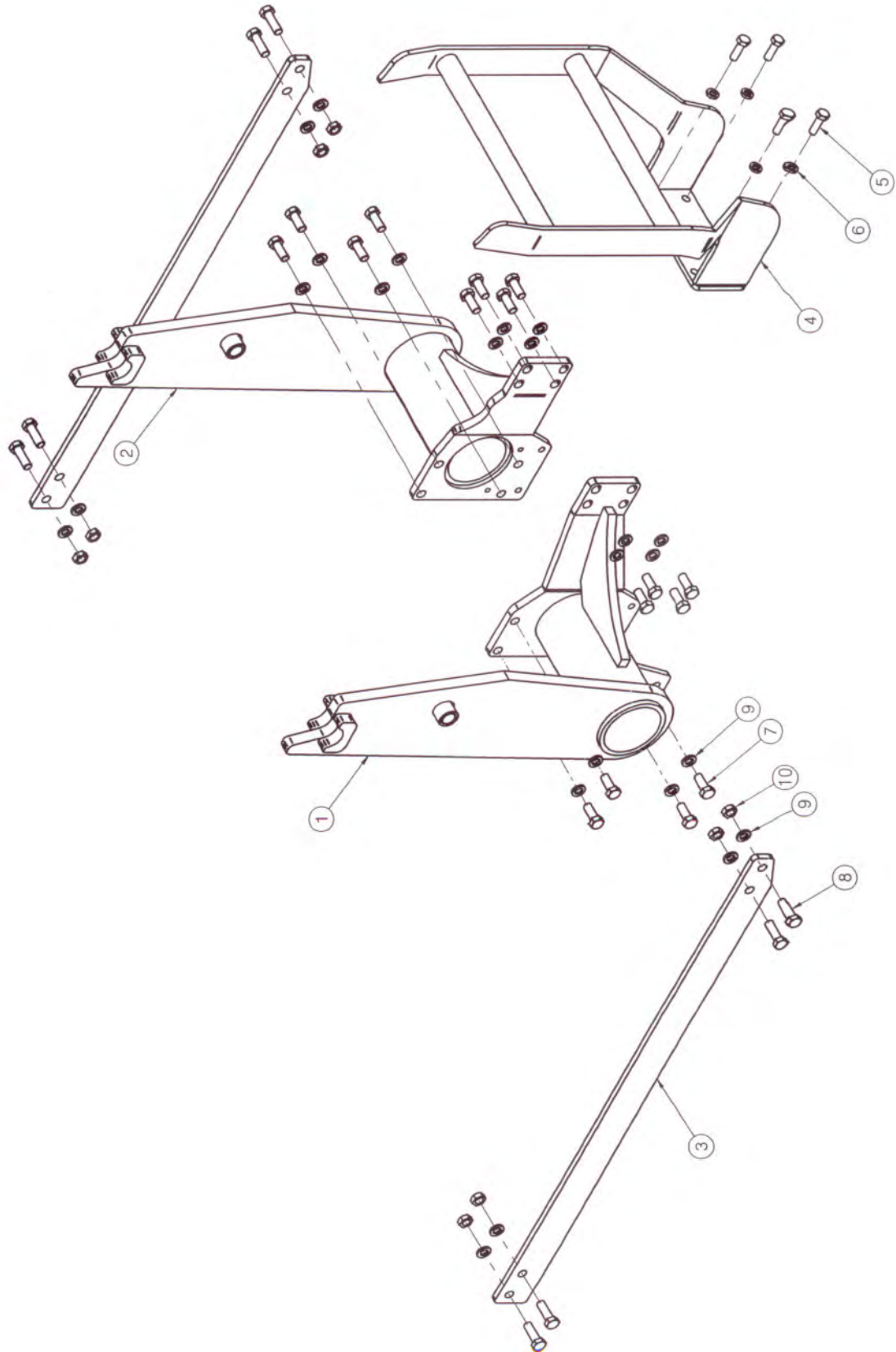
M07011  
Printed 2007, 09, 05



# BOOM

NO.	Part Number	Part Name	Description	Q'ty	REMARK
1	2150A-0000	BOOM		1	
2	2050A-3100	COLUMN RH.		1	
3	2050A-3200	COLUMN LH.		1	
4	2050A-4010	SHIM	1.6t	4	
5	2150A-4100	ROD BUCKET		2	
6	2050A-4300	BUCKET LINK RH.		1	
7	2050A-4400	BUCKET LINK LH.		1	
8	ALN 47-07-3100	COVER	4t	2	
9	ALK 40-09-310A	INDICATOR	Ø8	1	
10	5570C-7010	COVER	2.3t	1	
11	S7085A-8100	STAND		2	
12	S7085A-8200	LINK-STD	4t	2	
13	S7085A-8400	SUPPORTER	4t	2	
14	S7085A-8520	PIN	Ø20	2	
15	S7085A-8530	PIN	Ø25	2	
16	2150A-8000	CYLINDER-BOOM		2	
17	2150A-9000	CYLINDER-BUCKET		2	
18	P28A-100A	PIN	Ø28	4	
19	P28A-125A	PIN		8	
20	P28B-115A	PIN		4	
21	P25C-1230	PIN-LEVER		2	
22	AL 20-98-9990	LINK PIN		2	
23	SN20M	SNAP RING	Ø20	4	
24	PR30045	R-PIN	Ø3	2	
25	PD03025	SPLIT PIN	Ø3x25L	1	
26	BH0855125X	BOLT	M8x25L	8	
27	WP08M	PLAIN WASHER	M8	4	
28	WS08M	SPRING WASHER	M8	8	
29	BH1044150Z	BOLT(10.9T)	M10x20L	16	
30	WP10M	PLAIN WASHER	M10	16	
31	WS10M	SPRING WASHER	M10	16	
32	BH12K7175Z	BOLT(10.9T)	M12x100L	2	
33	NL12175Z	LOCK NUT	M12	2	
34	BH20KA250Z	BOLT(10.9T)	M20x100L	2	
35	NL20250Z	LOCK NUT	M20	2	
36	B1000B-000B	COUPLER B/C		1	

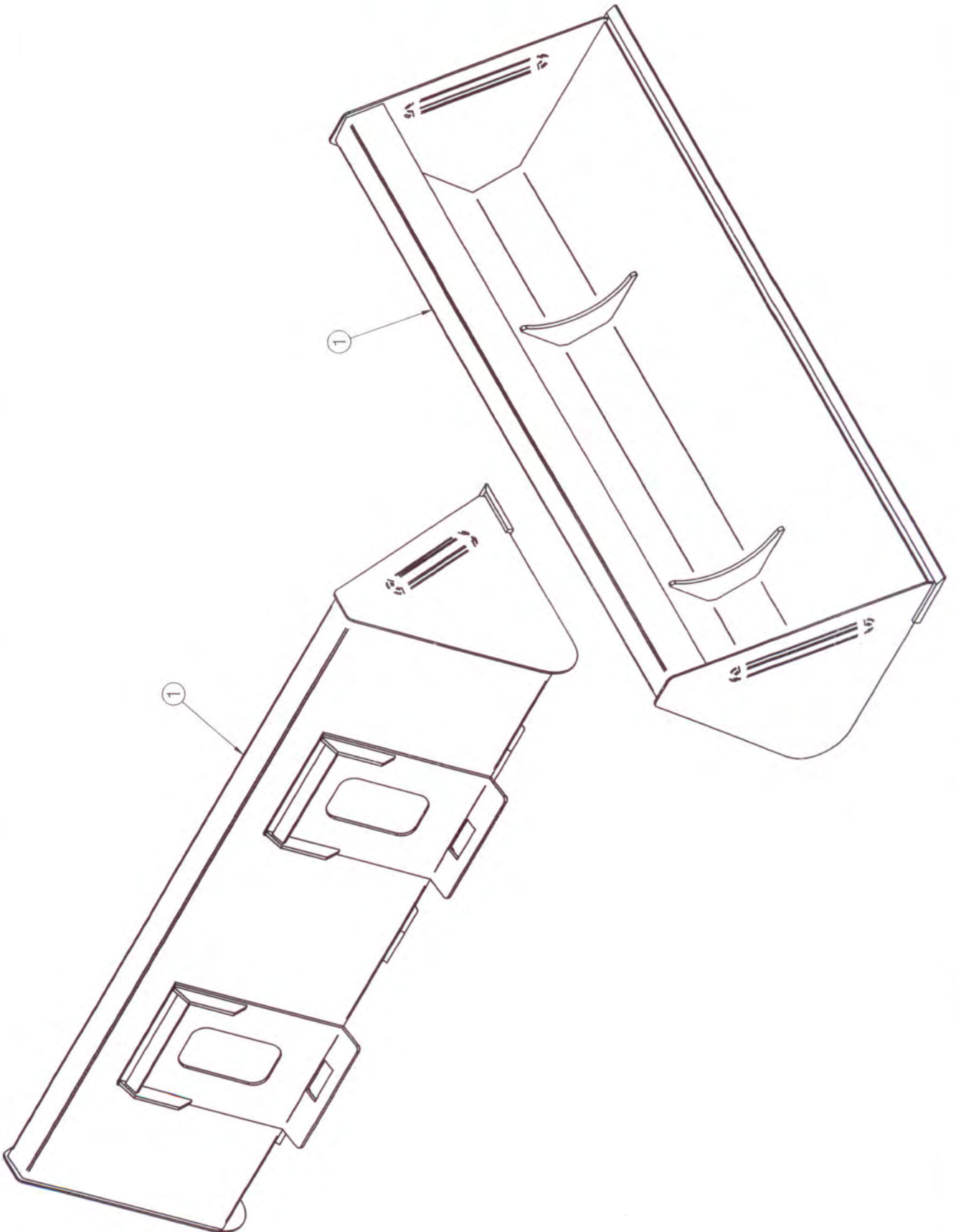
# MOUNTING KIT



# MOUNTING KIT

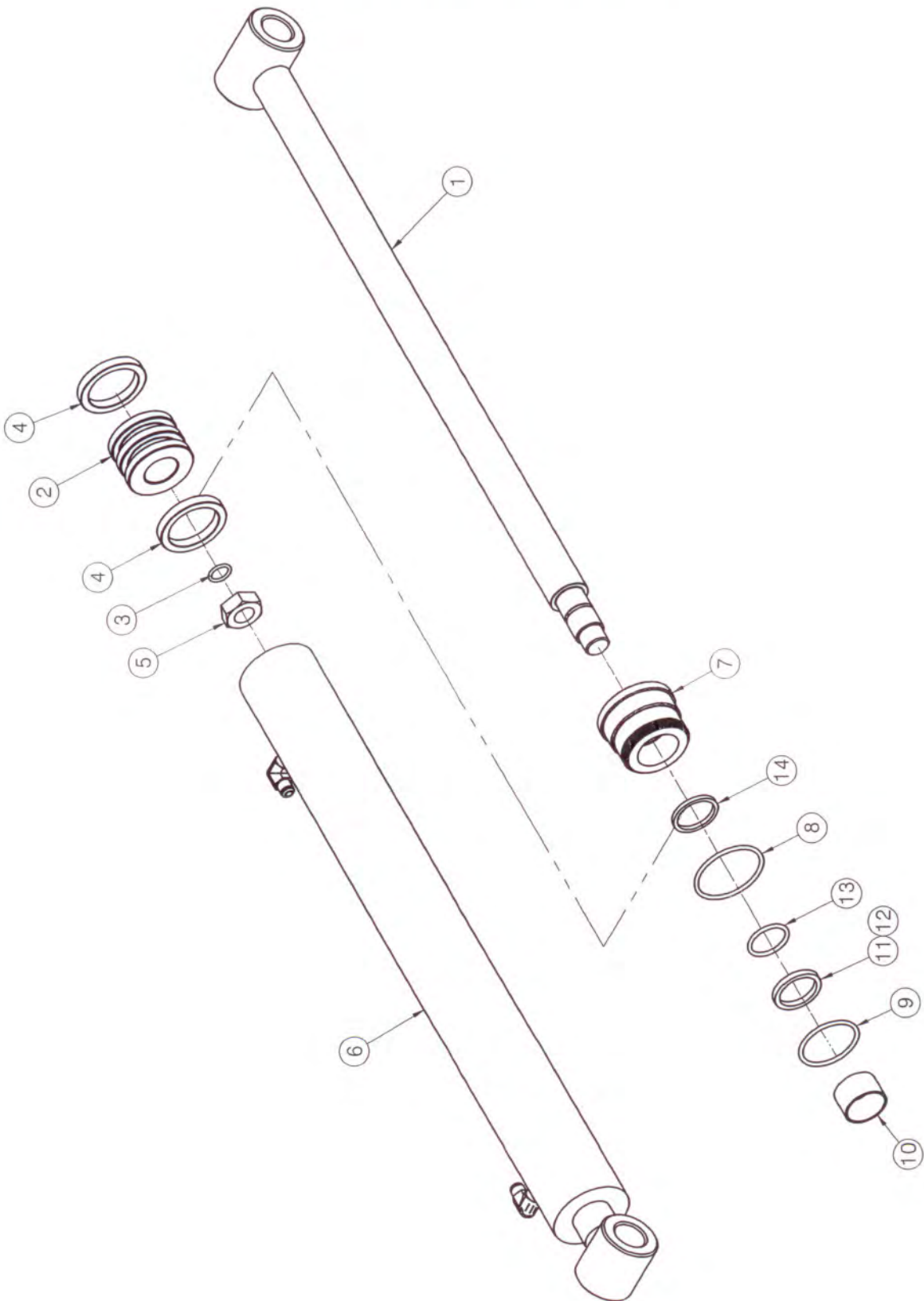
NO.	Part Number	Part Name	Description	Q'ty	REMARK
1	L5740A-1100	SUB FRAME RH.		1	
2	L5740A-1200	SUB FRAME LH		1	
3	L5740A-3100	BACK AXLE	12t	2	
4	L5740A-4100	BUMPER		1	
5	BH1497150Z	BOLT(10.9T)	M14x45Lx1.5P	4	
6	WS14M	SPRING WASHER	M14	4	
7	BH1688150Z	BOLT(10.9T)	M16x40Lx1.5P	16	
8	BH16A6200Z	BOLT(10.9T)	M16x50L	8	
9	WS16M	SPRING WASHER	M16	24	
10	NH16200Z	NUT	M16	8	

# BUCKET





# CYLINDER

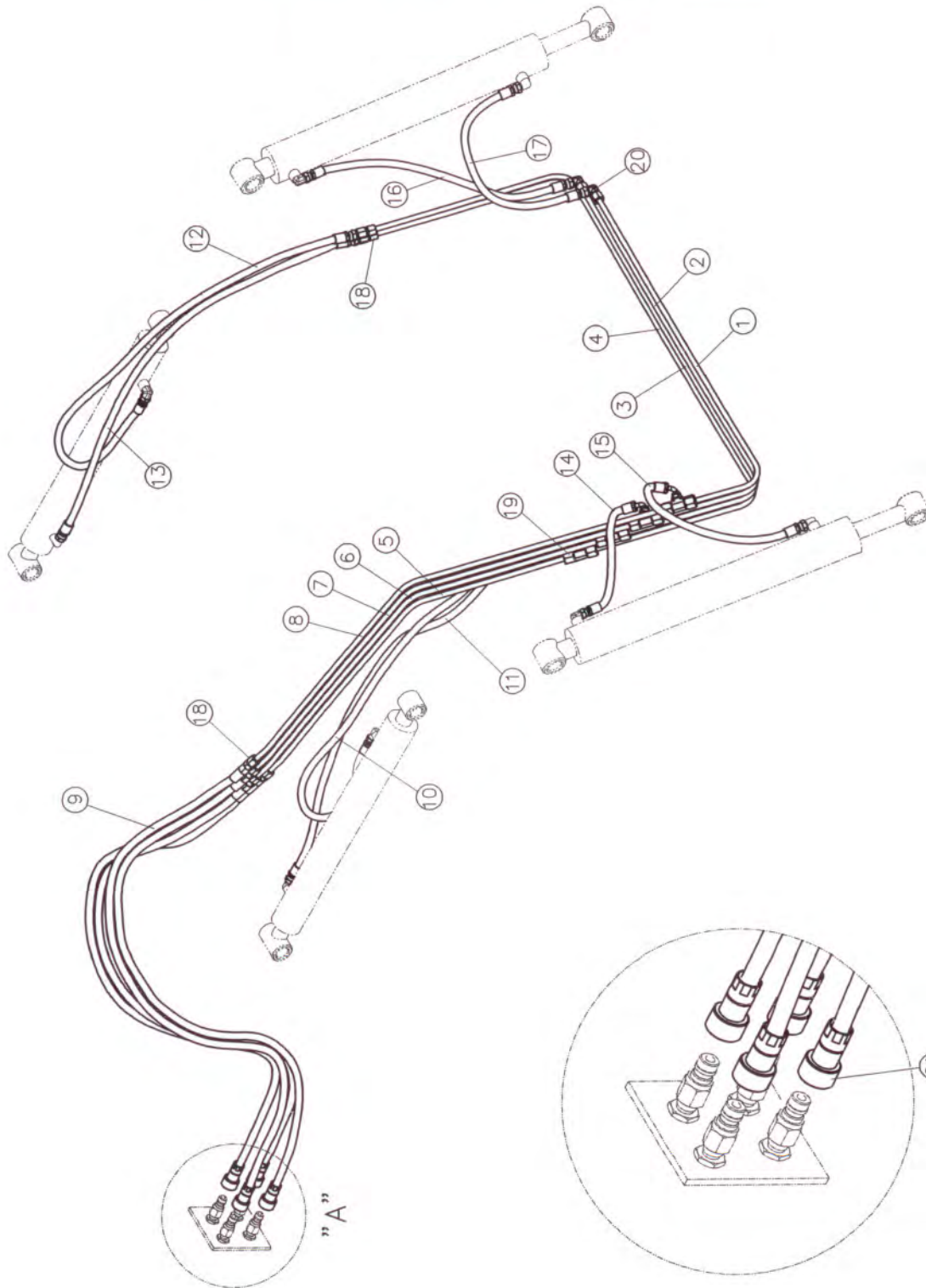




# CYLINDER

NO.	PART NAME	PART NUMBER		Q'TY	REMARK
		BUCKET	BOOM		
1	ROD	2150A -05-1120	2150A-05-2110	1	
2	PISTON	AL191-05-2120	AL191-05-2120	1	
3	O-RING	1BP21	1BP21	1	
4	U-PACKING	ODI 60x45x9	ODI 60x45x9	2	
5	NUT	AL191-05-1150	AL191-05-1150	1	
6	TUBE	2150A-05-1210	2150A-05-2210	1	
7	COVER ROD	AL191-05-2220	AL191-05-2220	1	
8	O-RING	1BG60	1BG60	1	
9	O-RING	1BP35	1BP35	1	
10	DU BUSH	AL191-05-2250	AL191-05-2250	1	
11	U-PACKING	ISI 35x45x6	ISI 35x45x6	1	
12	BACK UP RING	BRT3 35x45x2	BRT3 35x45x2	1	
13	O-RING	1BP50A	1BP50A	1	
14	DUST SEAL	LBI 35x43x5/6.5	LBI 35x43x5/6.5	1	
	SEAL KIT (Include 3, 4, 8, 9, 11, 12, 13, 14)	SEAL 6035	SEAL 6035		

# HYDRAULIC PARTS



# HYDRAULIC PARTS

NO.	PART NAME	PART NUMBER	Q'TY	REMARK
1	PIPE	2150A-07-1100	1	
2	PIPE	2150A-07-1200	1	
3	PIPE	2150A-07-1300	1	
4	PIPE	2150A-07-1400	1	
5	PIPE	2150A-07-1500	1	
6	PIPE	2150A-07-1600	1	
7	PIPE	2150A-07-1700	1	
8	PIPE	2150A-07-1800	1	
9	HOSE ASS'Y	3P81-1160	4	
10	HOSE ASS'Y	5PG1-0840	1	
11	HOSE ASS'Y	5PG1-0850	1	
12	HOSE ASS'Y	5PG1-0460	1	
13	HOSE ASS'Y	5PG1-0860	1	
14	HOSE ASS'Y	5PG1-0830	1	
15	HOSE ASS'Y	5PG1-0360	1	
16	HOSE ASS'Y	5PG1-0730	1	
17	HOSE ASS'Y	5PG1-0560	1	
18	NIPPLE	ALK 28-07-9800	6	
19	TEE NIPPLE	ALK 28-07-9900	4	
20	ELBOW NIPPLE	ALK 28-07-9600	2	
21	Q-COUPLE(F)	ALK 28-07-710A	4	

# DECAL & MANUAL

