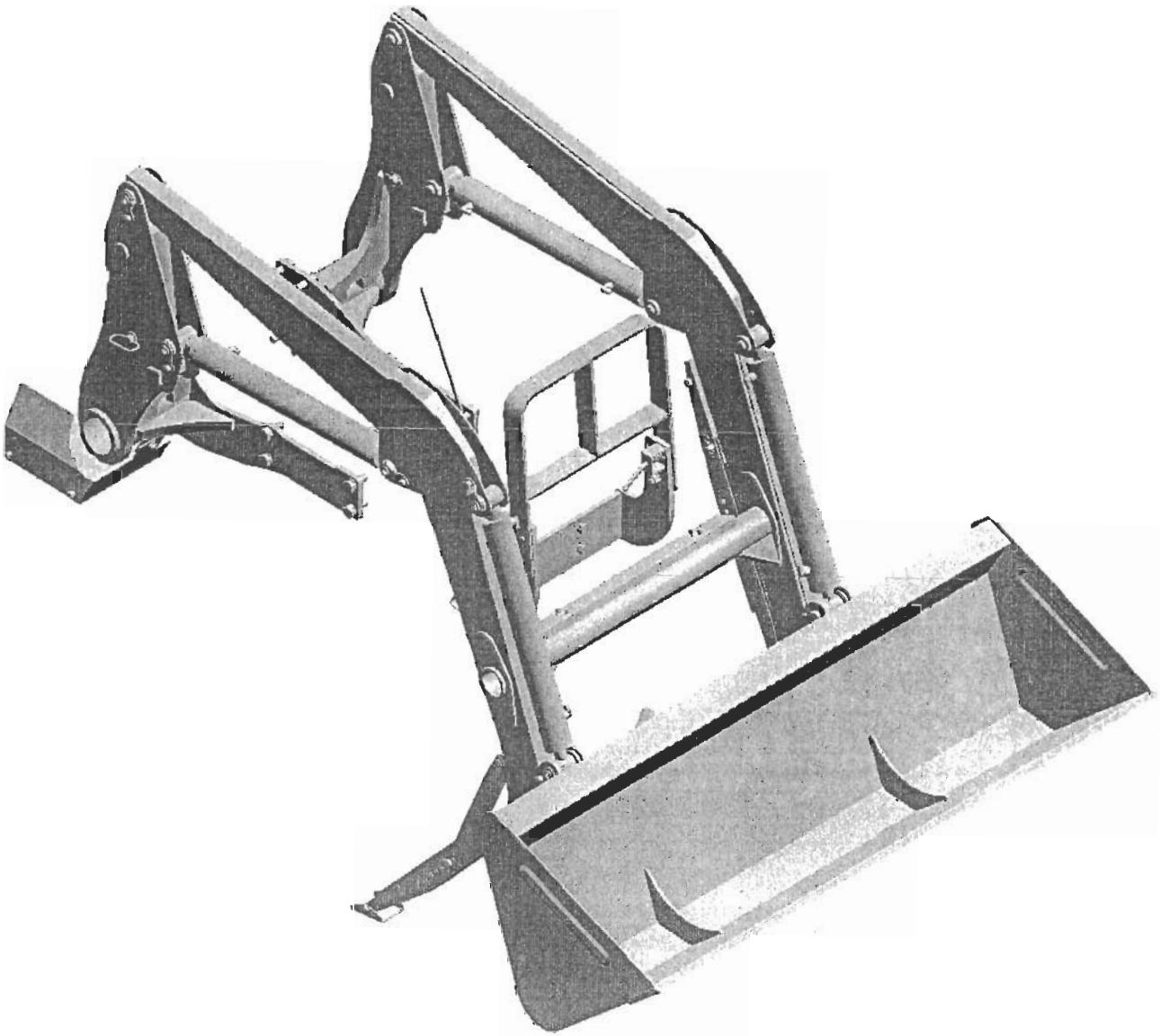


PARTS MANUAL

5070

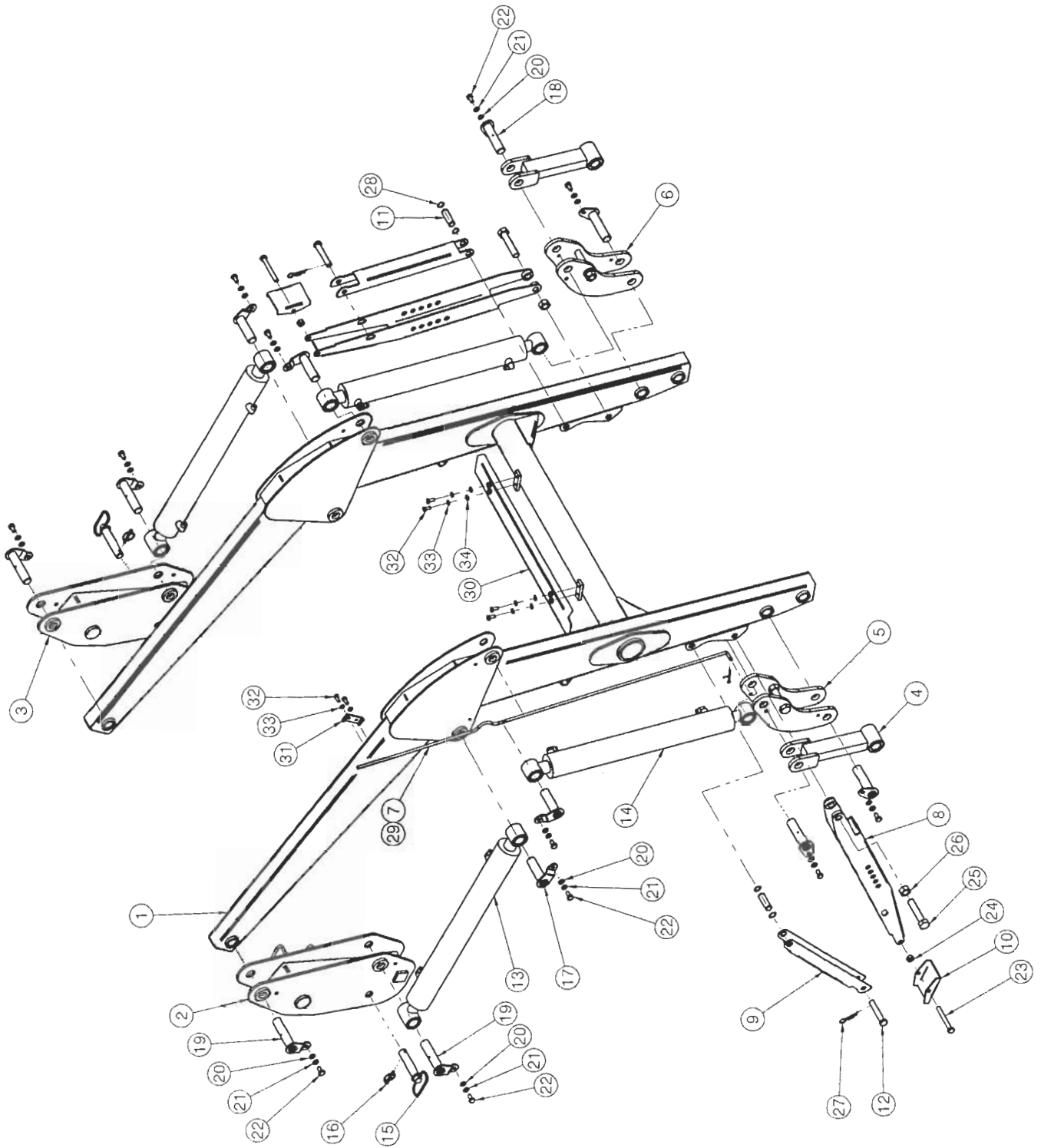


Front-End Loader

M04058

Printed 2006, 11,04

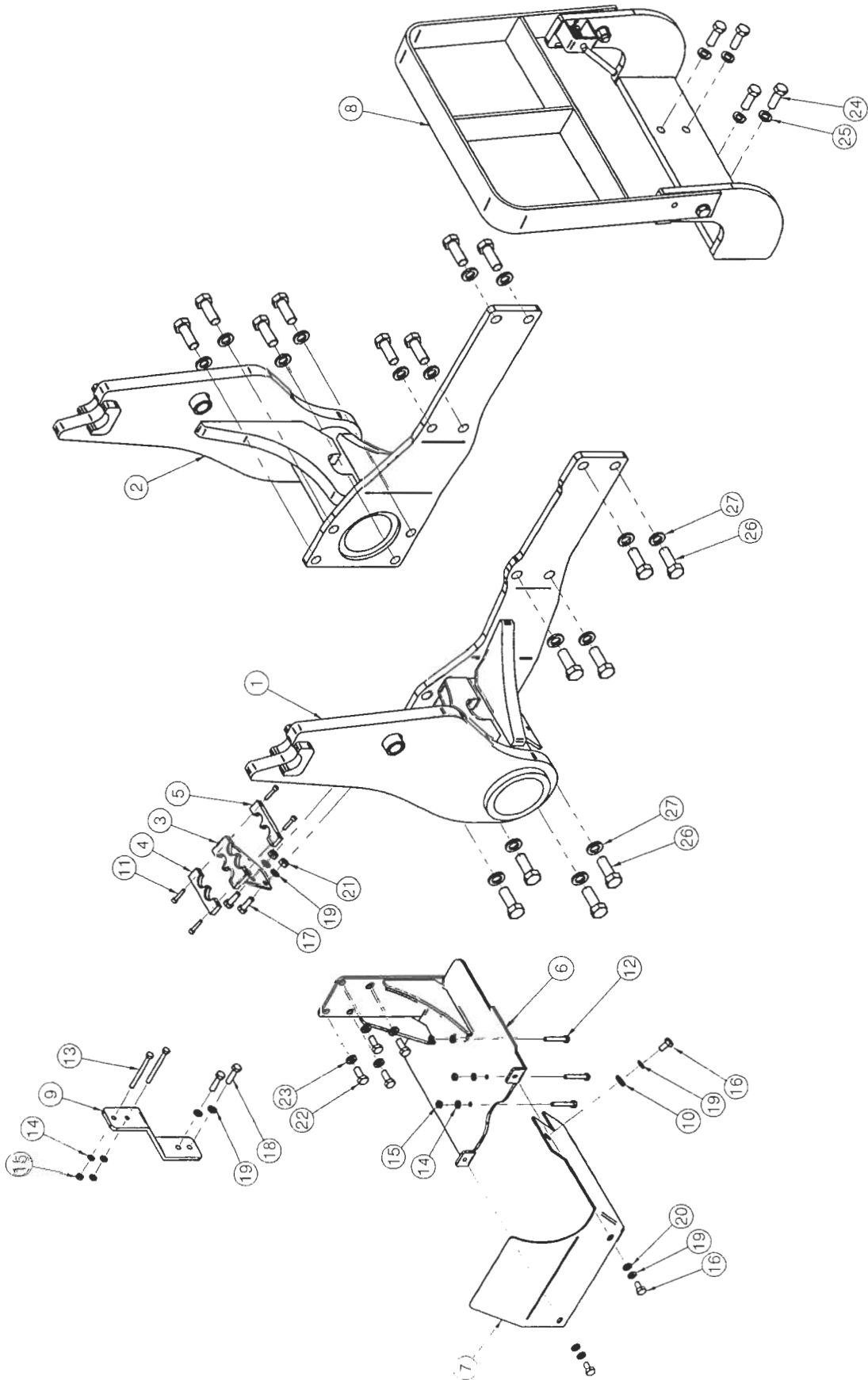
BOOM



BOOM

NO.	Part Number	Part Name	Description	Q'ty	REMARK
1	5570D-0000	BOOM		1	
2	5570C-3100	COLUMN RH.		1	
3	5570B-3200	COLUMN LH.		1	
4	5570B-4100	ROD		2	
5	5570B-4300	BRACKET RH.		1	
6	5570B-4400	BRACKET LH.		1	
7	ALK 40-09-310A	INDICATOR	Ø8	1	
8	S7085A-8100	STAND		2	
9	S7085A-8200	LINK-STD	4t	2	
10	S7085A-8400	SUPPORTER	4t	2	
11	S7085A-8520	PIN	Ø20	2	
12	S7085A-8530	PIN	Ø25	2	
13	5570B-09-8000	CYLINDER-BOOM		2	
14	5570B-09-9000	CYLINDER-BUCKET		2	
15	P25C-1030	PIN-LEVER		2	
16	AL 20-98-9990	LINK PIN		2	
17	P28A-100A	PIN	Ø28	4	
18	P28B-115A	PIN		4	
19	P28A-125A	PIN		4	
20	WP10M	PLAIN WASHER	M10	12	
21	WS10M	SPRING WASHER	M10	12	
22	BH1044150Z	BOLT(10.9T)	M10x20L	12	
23	BH12K7175Z	BOLT(10.9T)	M12x100L	2	
24	NL12175Z	LOCK NUT	M12	2	
25	BH20KA250Z	BOLT(10.9T)	M20x100L	2	
26	NL20250Z	LOCK NUT	M20	2	
27	PR30045	R-PIN	ø3	2	
28	SN20M	SNAP RING	Ø20	4	
29	PD03025	SPLIT PIN	ø3x25L	1	
30	5570C-7010	COVER	2.3t	1	
31	ALN 47-07-3100	COVER	4t	1	
32	BH0844125Z	BOLT(10.9)	M8x20L	6	
33	WS08M	SPRING WASHER	M8	6	
34	WP08M	PLAIN WASHER	M8	4	

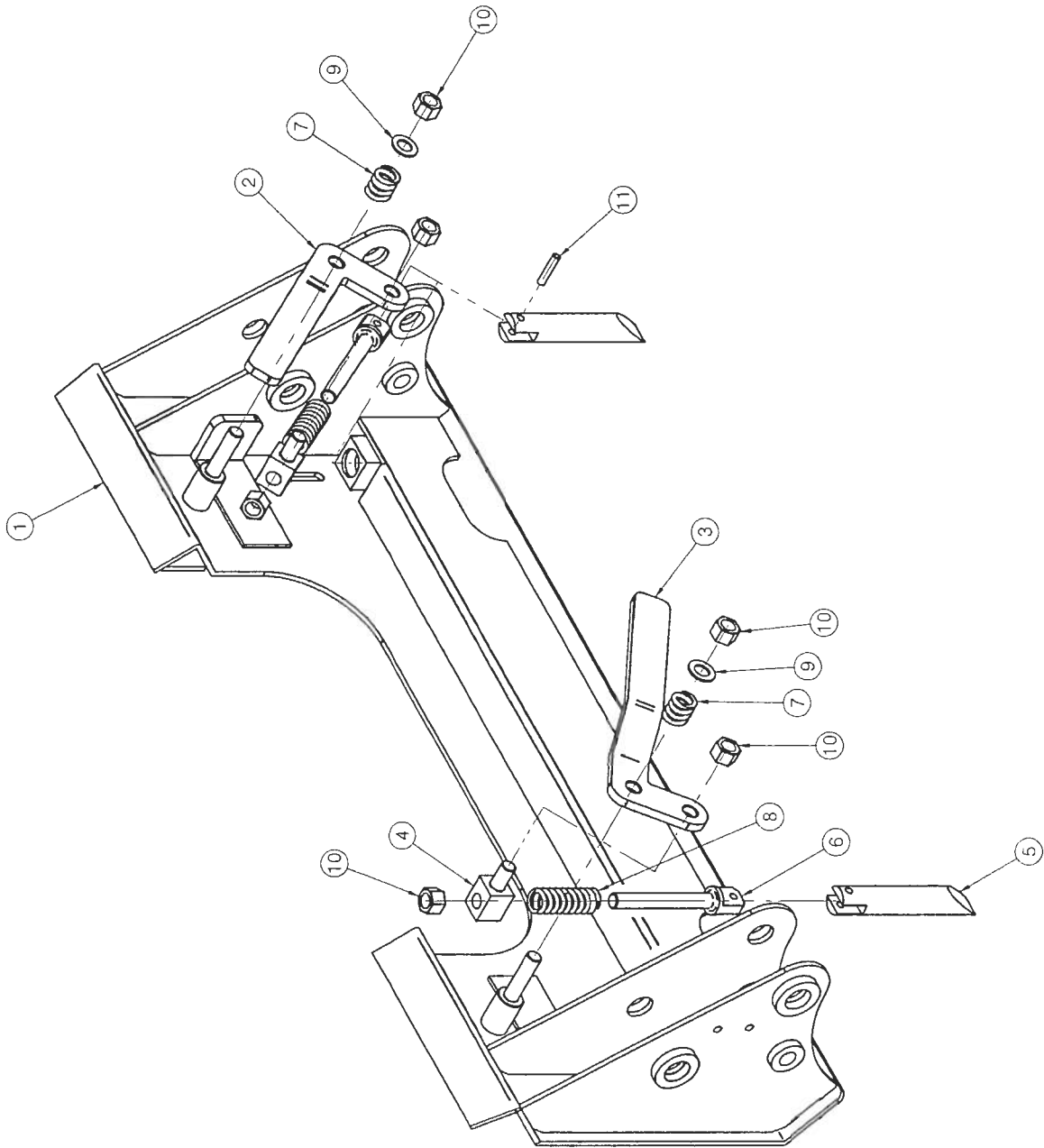
MOUNTING KIT



MOUNTING KIT

NO.	Part Number	Part Name	Description	Q'ty	REMARK
1	M7040A-1100	SUB FRAME, RH.		1	
2	M7040A-1200	SUB FRAME, LH.		1	
3	M7040A-1800	BLOCK		1	
4	M7040A-1850	BLOCK	12t	1	
5	M7040A-1860	BLOCK	12t	1	
6	M7040A-1900	VALVE BRACKET		1	
7	M7040A-1940	BRACKET	4t	1	
8	M7040A-4000	BUMPER		1	
9	M7040A-8100	J/S BRACKET		1	
10	M7040A-1950	WASHER	4t	1	
11	BW0666100Z	BOLT	M6x30L	4	
12	BH08AA125Z	BOLT(10.9T)	M8x50L	3	
13	BH08I5125Z	BOLT(10.9T)	M8x90L	2	
14	WS08M	SPRING WASHER	M8	5	
15	NH08125Z	NUT	M8	5	
16	BH1044150Z	BOLT(10.9T)	M10x20L	3	
17	BH1066150Z	BOLT(10.9T)	M10x30L	2	
18	BH1086125Z	BOLT(10.9T)	M10x40Lx1.25P	2	
19	WS10M	SPRING WASHER	M10	7	
20	WP10M	PLAIN WASHER	M10	2	
21	NH10150Z	NUT	M10	2	
22	BH1266125Z	BOLT(10.9T)	M12x30Lx1.25P	4	
23	WS12M	SPRING WASHER	M12	4	
24	BH1699150Z	BOLT(10.9T)	M16x45Lx1.5P	4	
25	WS16M	SPRING WASHER	M16	4	
26	BH20B9150Z	BOLT(10.9T)	M20x55Lx1.5P	16	
27	WS20M	SPRING WASHER	M20	16	

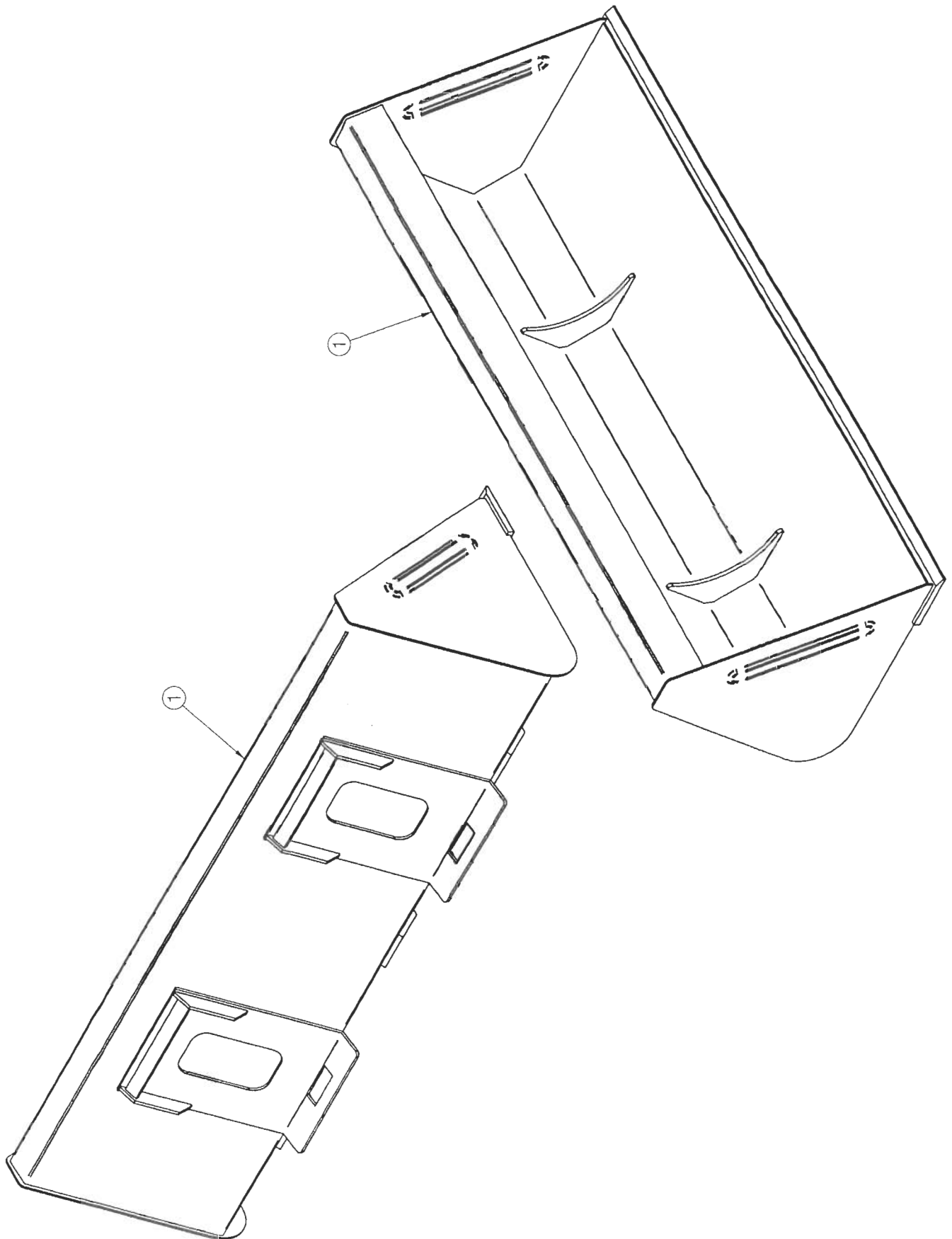
COUPLER



COUPLER

NO.	Part Number	Part Name	Description	Q'ty	REMARK
1	B1000B-2000	COUPLER B/C		1	
2	B0945A-1110	LEVER RH.	10t	1	
3	B0945A-1120	LEVER LH.	10t	1	
4	B0945A-1210	PIN	30x30	2	
5	B0945A-1220	PIN	Ø30	2	
6	B0945A-1230	PIN	Ø30	2	
7	B0945A-1310	SPRING	Ø5	2	
8	B0945A-1320	SPRING	Ø4.5	2	
9	WP16M	PLAIN WASHER	M16	2	
10	NL16200Z	LOCK NUT	M16	6	
11	PS08040	SPRING PIN	Ø8x40L	2	

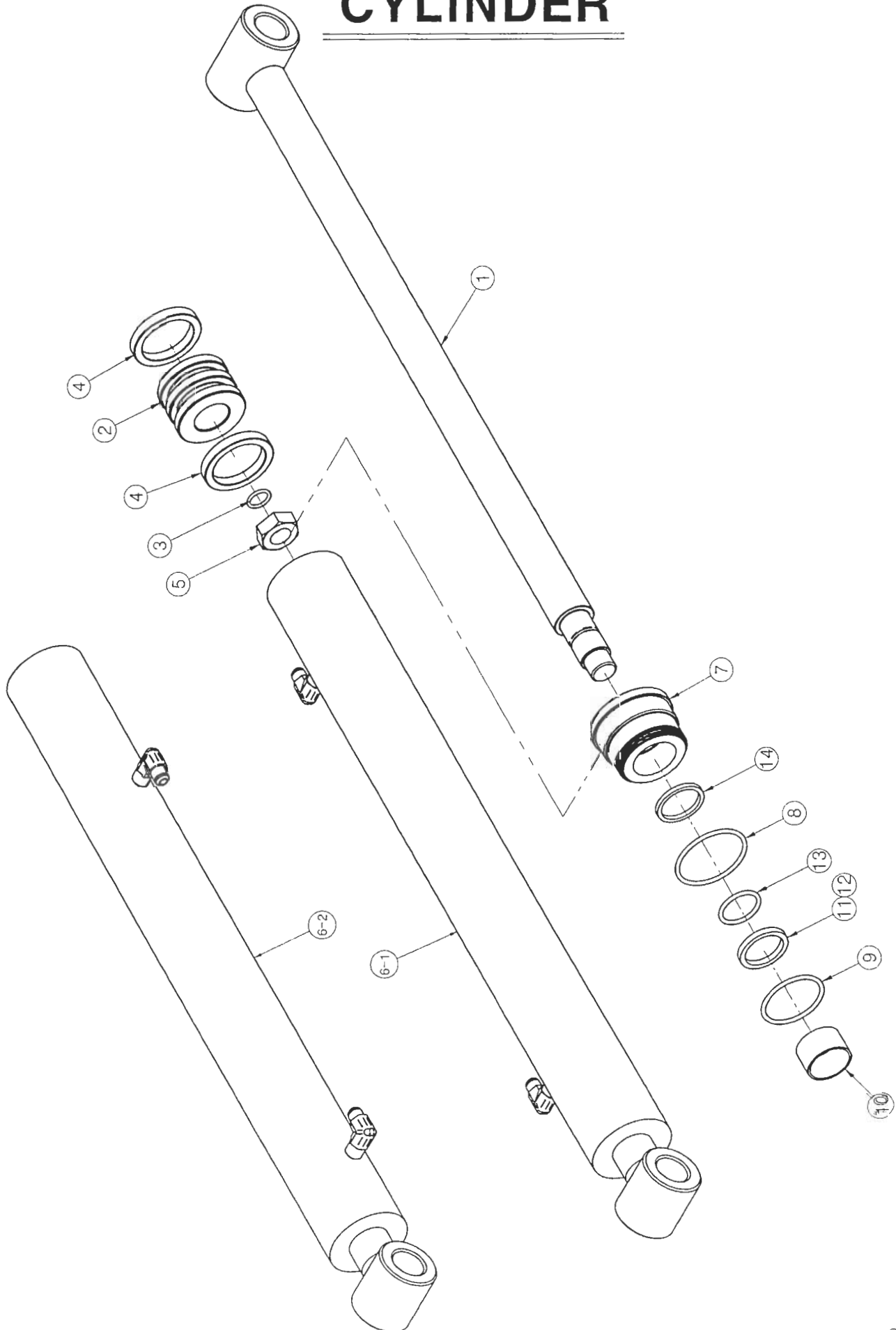
BUCKET



BUCKET

NO.	PART NAME	PART NUMBER	Q'TY	REMARK
1	BUCKET	LP 58-02-0000	1	L=1880mm

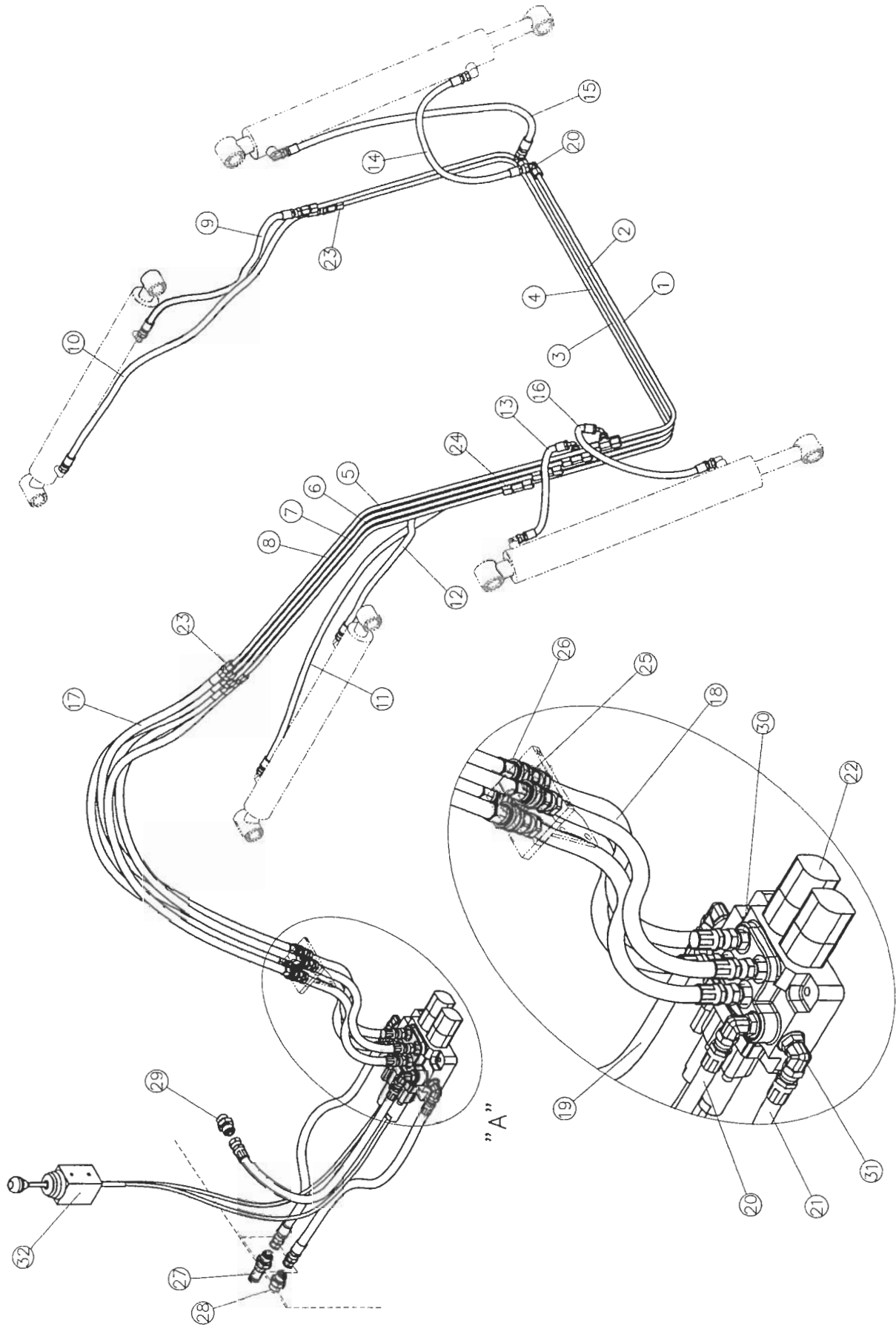
CYLINDER



CYLINDER

NO.	PART NAME	PART NUMBER		Q'TY	REMARK
		BUCKET	BOOM		
1	ROD	5570B-05-1020	5570B-05-2110	1	
2	PISTON	5570-05-1120	5570-05-2120	1	
3	O-RING	1BP21	1BP21	1	
4	U-PACKING	ODI 60x45x9	ODI 60x45x9	2	
5	NUT	5570-05-1150	5570-05-1150	1	
6-1	TUBE	-	5570-05-221A	1	
6-2		5570B-05-121A	-	1	
7	COVER ROD	5570-05-1220	5570-05-2220	1	
8	O-RING	1BG60	1BG60	1	
9	O-RING	1BP35	1BP35	1	
10	DU BUSH	5570-05-1250	5570-05-2250	1	
11	U-PACKING	ISI 35x45x6	ISI 35x45x6	1	
12	BACK UP RING	BRT3 35x45x2	BRT3 35x45x2	1	
13	O-RING	1BP50A	1BP50A	1	
14	DUST SEAL	LBI 35x43x5/6.5	LBI 35x43x5/6.5	1	
SEAL KIT		SEAL 6035	SEAL 6035		
(Include 3, 4, 8, 9, 11, 12, 13, 14)					

HYDRAULIC PARTS



VIEW "A"

HYDRAULIC PARTS

NO.	PART NAME	PART NUMBER	Q'TY	REMARK
1	PIPE	BL30-07-1100	1	
2	PIPE	BL30-07-1200	1	
3	PIPE	BL30-07-1300	1	
4	PIPE	BL30-07-1400	1	
5	PIPE	BL30-07-1500	1	
6	PIPE	BL30-07-1600	1	
7	PIPE	BL30-07-1700	1	
8	PIPE	BL30-07-1800	1	
9	HOSE ASS'Y	5PG1-0270	1	
10	HOSE ASS'Y	5PG1-0280	1	
11	HOSE ASS'Y	5PG1-0300	1	
12	HOSE ASS'Y	5PG1-0310	1	
13	HOSE ASS'Y	5PG1-0320	1	
14	HOSE ASS'Y	5PG1-0170	1	
15	HOSE ASS'Y	5PG1-0160	1	
16	HOSE ASS'Y	5PG1-0250	1	
17	HOSE ASS'Y	3P81-1010	4	
18	HOSE ASS'Y	3P81-1020	4	
19	HOSE ASS'Y	3P81-1030	1	
20	HOSE ASS'Y	3P81-1040	1	
21	HOSE ASS'Y	3P81-0550	1	
22	CONTROL VALVE	DN2 3/4SAEZ3	1	Flt. Reg.
23	NIPPLE	ALK 28-07-9800	8	
24	TEE NIPPLE	ALK 28-07-9900	4	
25	Q-COUPLER(M)	ALK 28-07-7400	4	
26	Q-COUPLER(F)	ALK 28-07-7300	4	
27	O-RING NIPPLE	M7040-07-7010	1	"P" Port
28	O-RING NIPPLE	M7040-07-7020	1	"P/B" Port
29	O-RING NIPPLE	M7040-07-7030	1	"T" Port
30	O-RING NIPPLE	M7040-07-7040	4	
31	O-RING NELBOW	M7040-07-7050	3	NUT TYPE
32	LEVER ASS'Y	WK400-4K5050	1	L=1000mm
33	elbow NIPPLE	alk 28-07-9600	2	

DECAL & MANUAL

