

PARTS MANUAL

8595

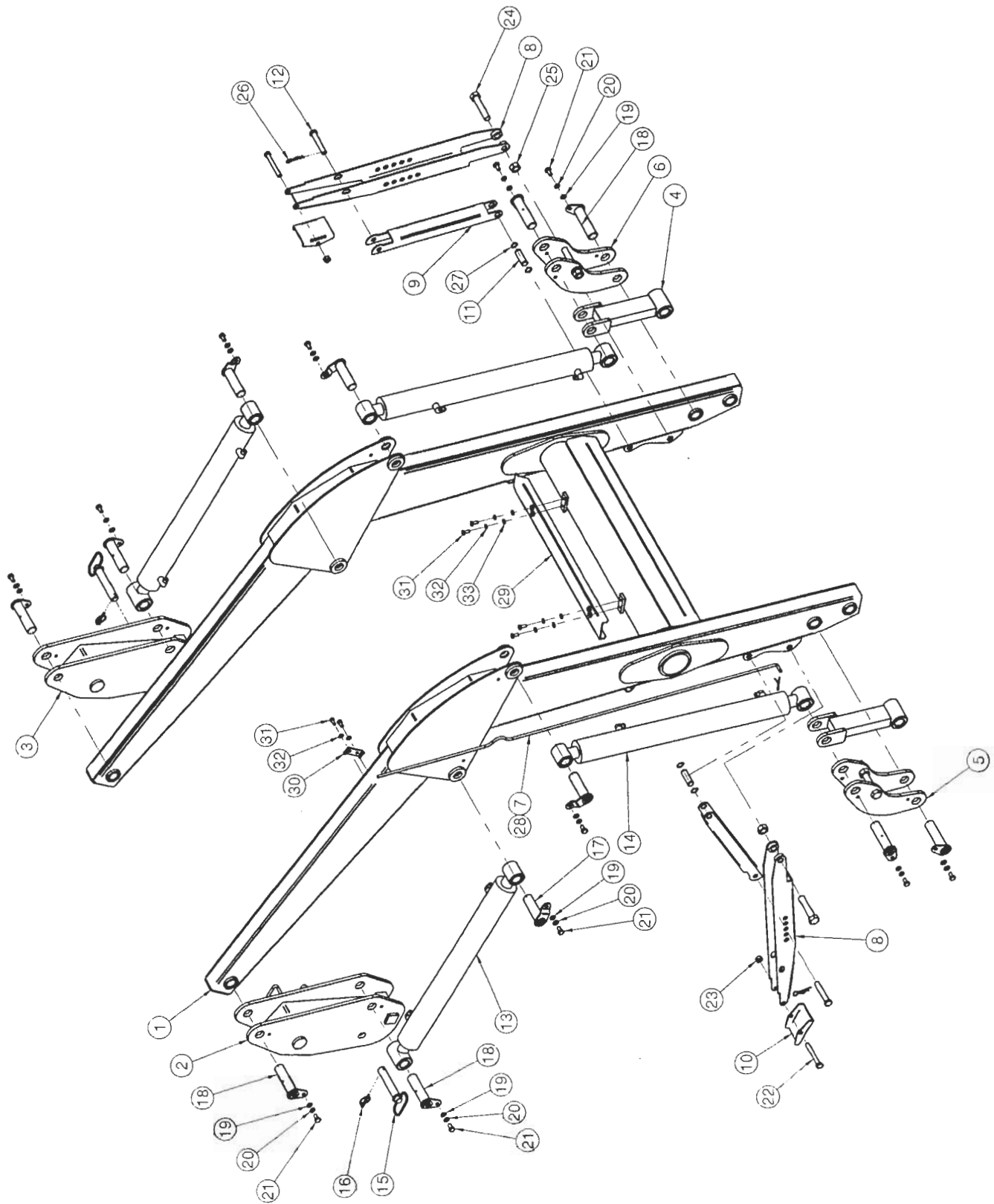


Front-End Loader

M04059

Printed 2006, 11,04

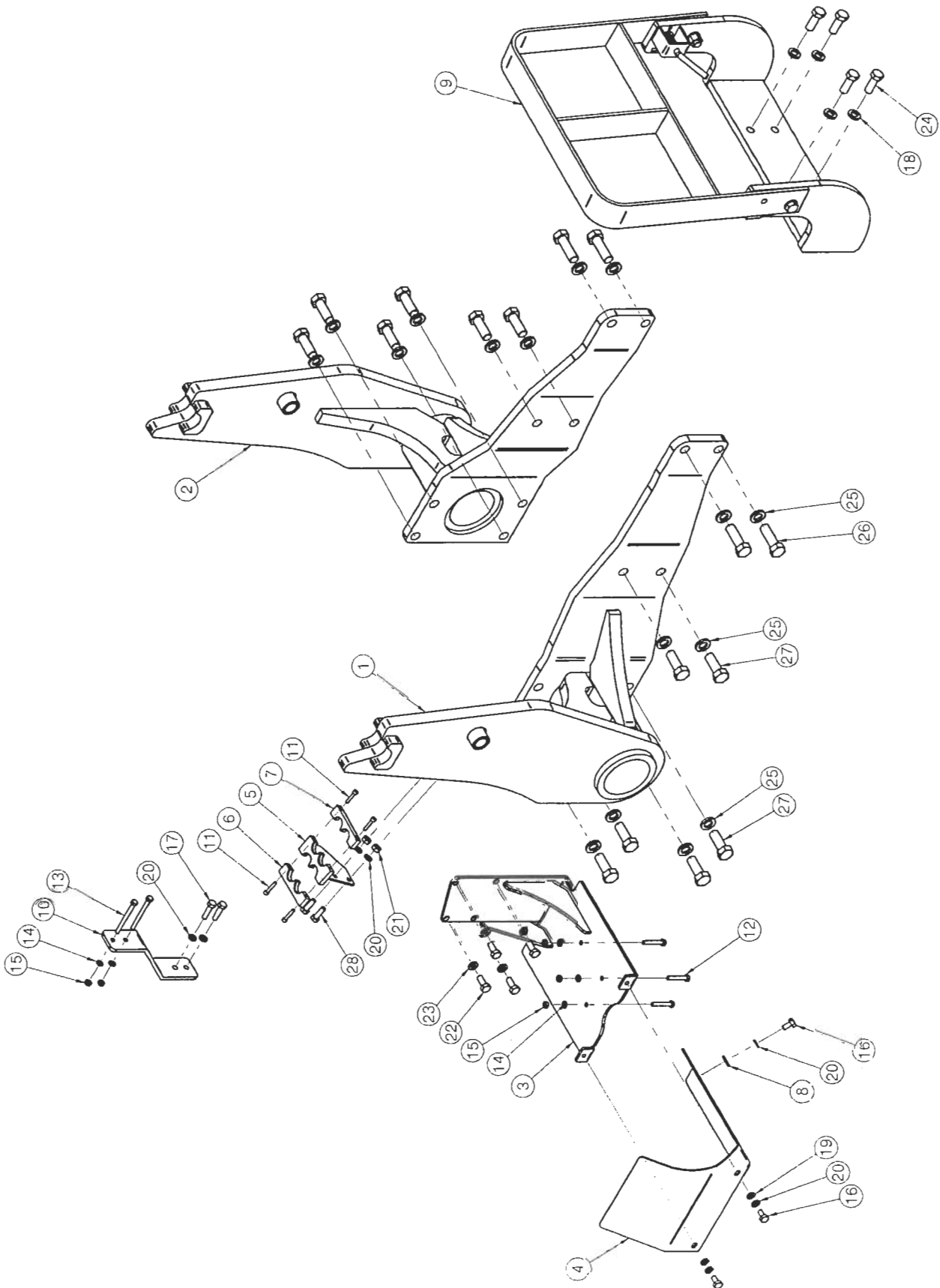
BOOM



BOOM

NO.	Part Number	Part Name	Description	Q'ty	REMARK
1	7590B-0000	BOOM		1	
2	7590B-3100	COLUMN, RH.		1	
3	7590A-3200	COLUMN, LH.		1	
4	S7085A-4100	ROD-BUCKET		2	
5	S7085A-4300	LINK BUCKET, RH.		1	
6	S7085A-4400	LINK BUCKET, LH.		1	
7	S5570A-4510	INDICATOR	Ø8	1	
8	S7085A-8100	STAND		2	
9	S7085A-8200	LINK-STD	4t	2	
10	S7085A-8400	SUPPORTER	4t	2	
11	S7085A-8520	PIN	Ø20	2	
12	S7085A-8530	PIN	Ø25	2	
13	7085A-09-800A	CYLINDER-BOOM		2	
14	7590A-09-900A	CYLINDER-BUCKET		2	
15	P25C-1230	PIN-LEVER		2	
16	AL 20-98-9990	LINK PIN		2	
17	P32A-110A	PIN	Ø32	4	
18	P32B-125A	PIN	Ø32	8	
19	WP10M	PLAIN WASHER	M10	12	
20	WS10M	SPRING WASHER	M10	12	
21	BH1044150Z	BOLT(10.9T)	M10x20L	12	
22	BH12K7175Z	BOLT(10.9T)	M12x100L	2	
23	NL12175Z	LOCK NUT	M12	2	
24	BH20KA250Z	BOLT(10.9T)	M20x100L	2	
25	NL20250Z	LOCK NUT	M20	2	
26	PR30045	R-PIN	ø3	2	
27	SN20M	SNAP RING	Ø20	4	
28	PD03025	SPLIT PIN	ø3x25L	1	
29	7590A-7010	COVER	2.3t	1	
30	ALN 47-07-3100	COVER	4t	1	
31	BH0844125Z	BOLT(10.9)	M8x20L	6	
32	WS08M	SPRING WASHER	M8	6	
33	WP08M	PLAIN WASHER	M8	4	

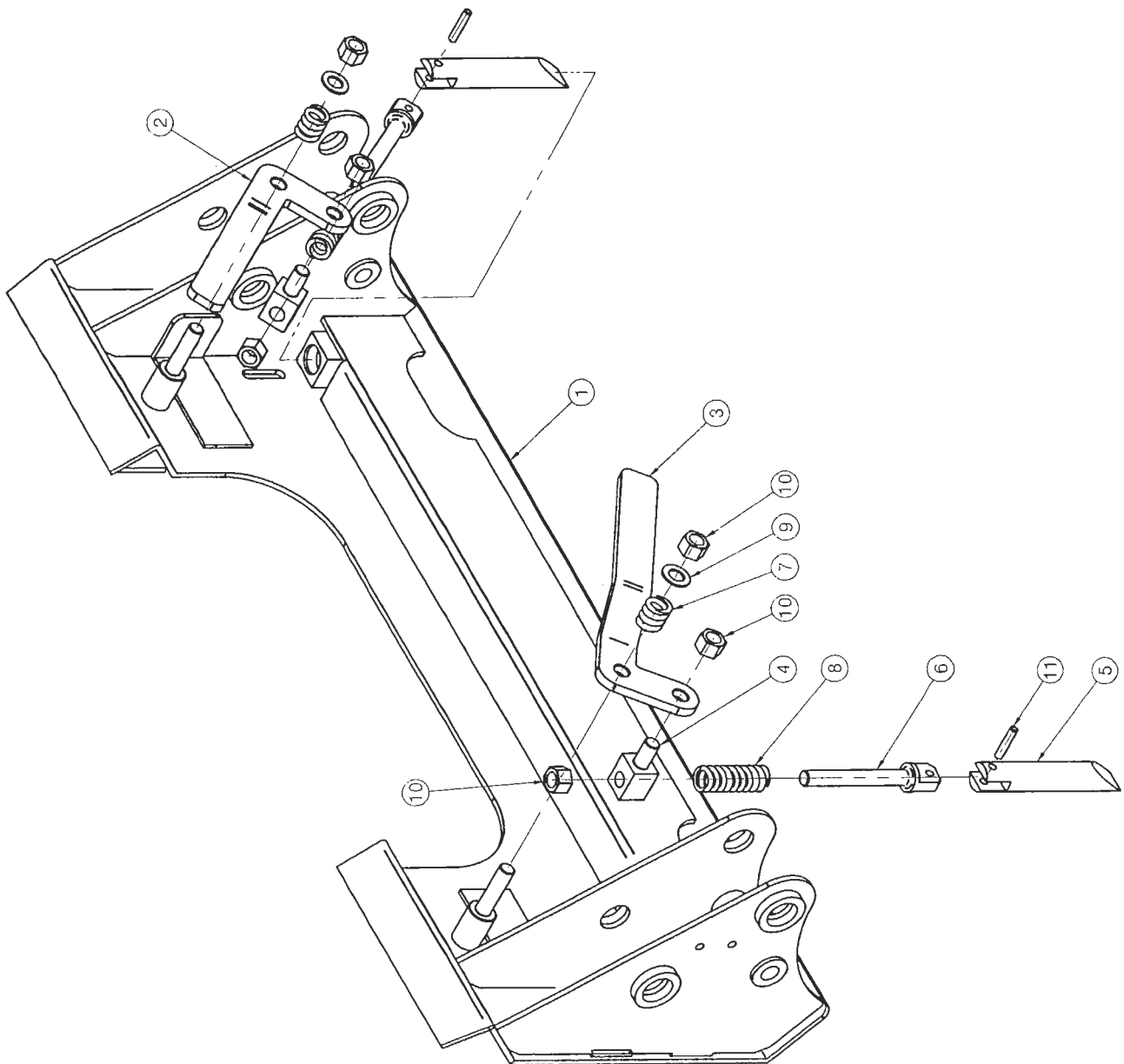
MOUNTING KIT



MOUNTING KIT

NO.	Part Number	Part Name	Description	Q'ty	REMARK
1	M9540A-1100	SUB FRAME, RH.		1	
2	M9540A-1200	SUB FRAME, LH.		1	
3	M9540A-1900	VALVE BRACKET		1	
4	M9540A-1920	BRACKET	4t	1	
5	M7040A-1800	BLOCK		1	
6	M7040A-1850	BLOCK	12t	1	
7	M7040A-1860	BLOCK	12t	1	
8	M7040A-1950	WASHER	4t	1	
9	M7040A-4000	BUMPER		1	
10	M7040A-8100	J/S BRACKET		1	
11	BW0666100Z	BOLT	M6x30L	4	
12	BH08AA125Z	BOLT(10.9T)	M8x50L	3	
13	BH08I5125Z	BOLT(10.9T)	M8x90L	2	
14	WS08M	SPRING WASHER	M8	5	
15	NH08125Z	NUT	M8	5	
16	BH1044150Z	BOLT(10.9T)	M10x20L	3	
17	BH1086125Z	BOLT(10.9T)	M10x40Lx1.25P	2	
18	WS16M	SPRING WASHER	M16	4	
19	WP10M	PLAIN WASHER	M10	2	
20	WS10M	SPRING WASHER	M10	7	
21	NH10150Z	NUT	M10	2	
22	BH1266125Z	BOLT(10.9T)	M12x30Lx1.25P	4	
23	WS12M	SPRING WASHER	M12	4	
24	BH1699150Z	BOLT(10.9T)	M16x45Lx1.5P	4	
25	WS20M	SPRING WASHER	M20	16	
26	BH20DA150Z	BOLT(10.9T)	M20x65Lx1.5P	4	
27	BH20B9150Z	BOLT(10.9T)	M20x55Lx1.5P	12	
28	BH1066150Z	BOLT(10.9T)	M10x30L	2	

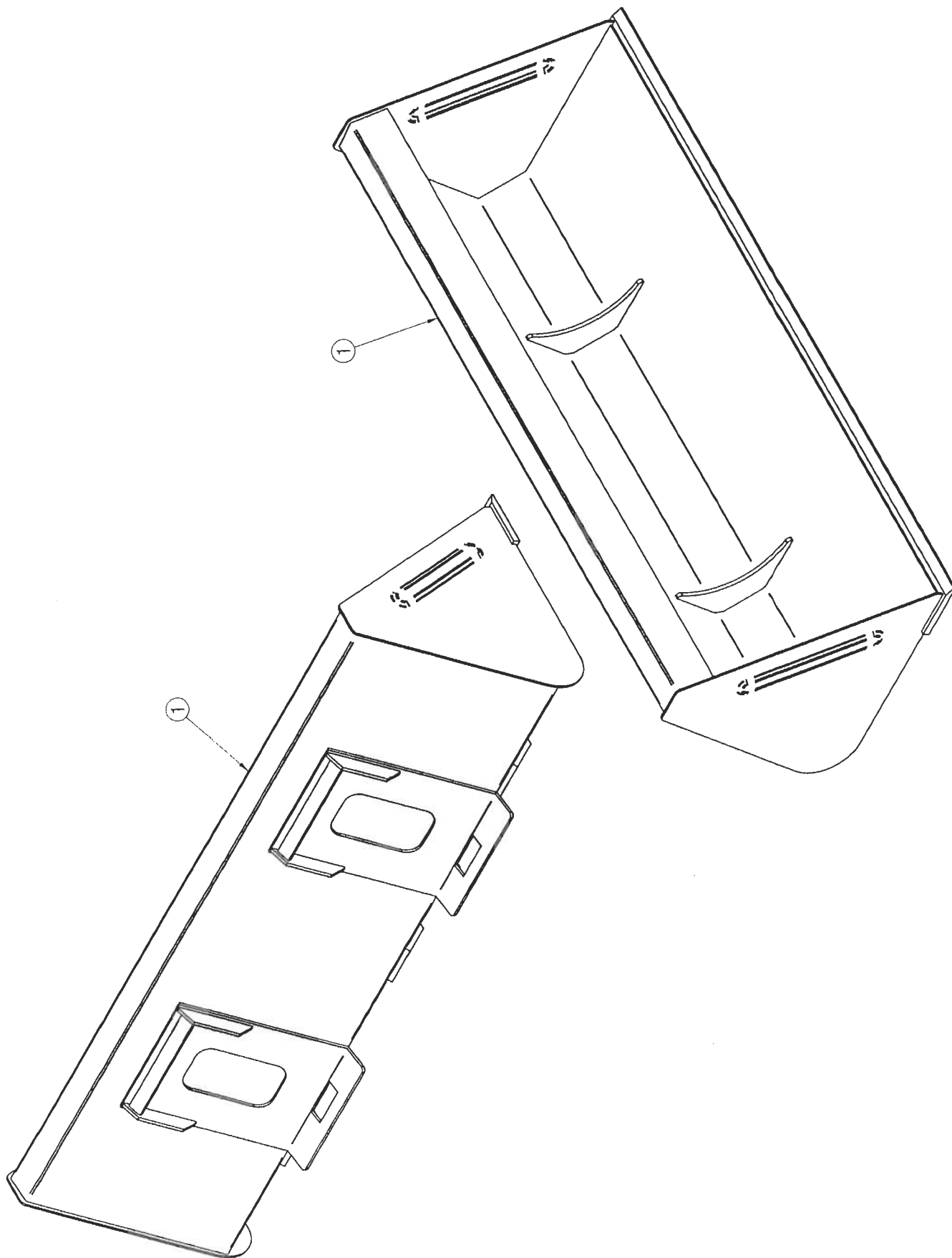
COUPLER



COUPLER

NO.	Part Number	Part Name	Description	Q'ty	REMARK
1	B1000B-200A	COUPLER B/C		1	
2	B0945A-1110	LEVER RH.	10t	1	
3	B0945A-1120	LEVER LH.	10t	1	
4	B0945A-1210	PIN	30x30	2	
5	B0945A-1220	PIN	Ø30	2	
6	B0945A-1230	PIN	Ø30	2	
7	B0945A-1310	SPRING	Ø5	2	
8	B0945A-1320	SPRING	Ø4.5	2	
9	WP16M	PLAIN WASHER	M16	2	
10	NL16200Z	LOCK NUT	M16	6	
11	PSO8040	SPRING PIN	Ø8x40L	2	

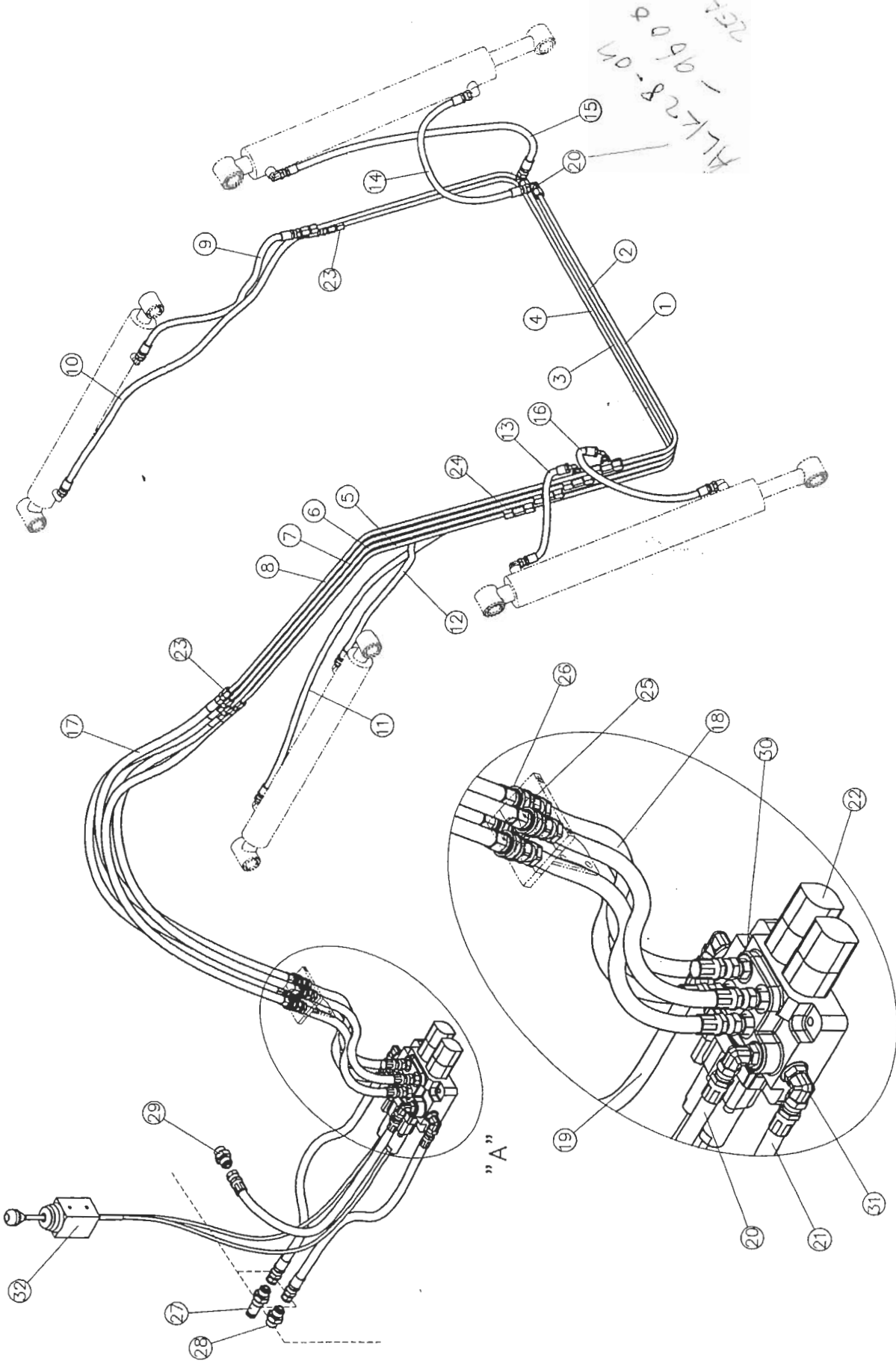
BUCKET



BUCKET

NO.	PART NAME	PART NUMBER	Q'TY	REMARK
1	BUCKET	LP 58-02-000C	1	L=2100mm

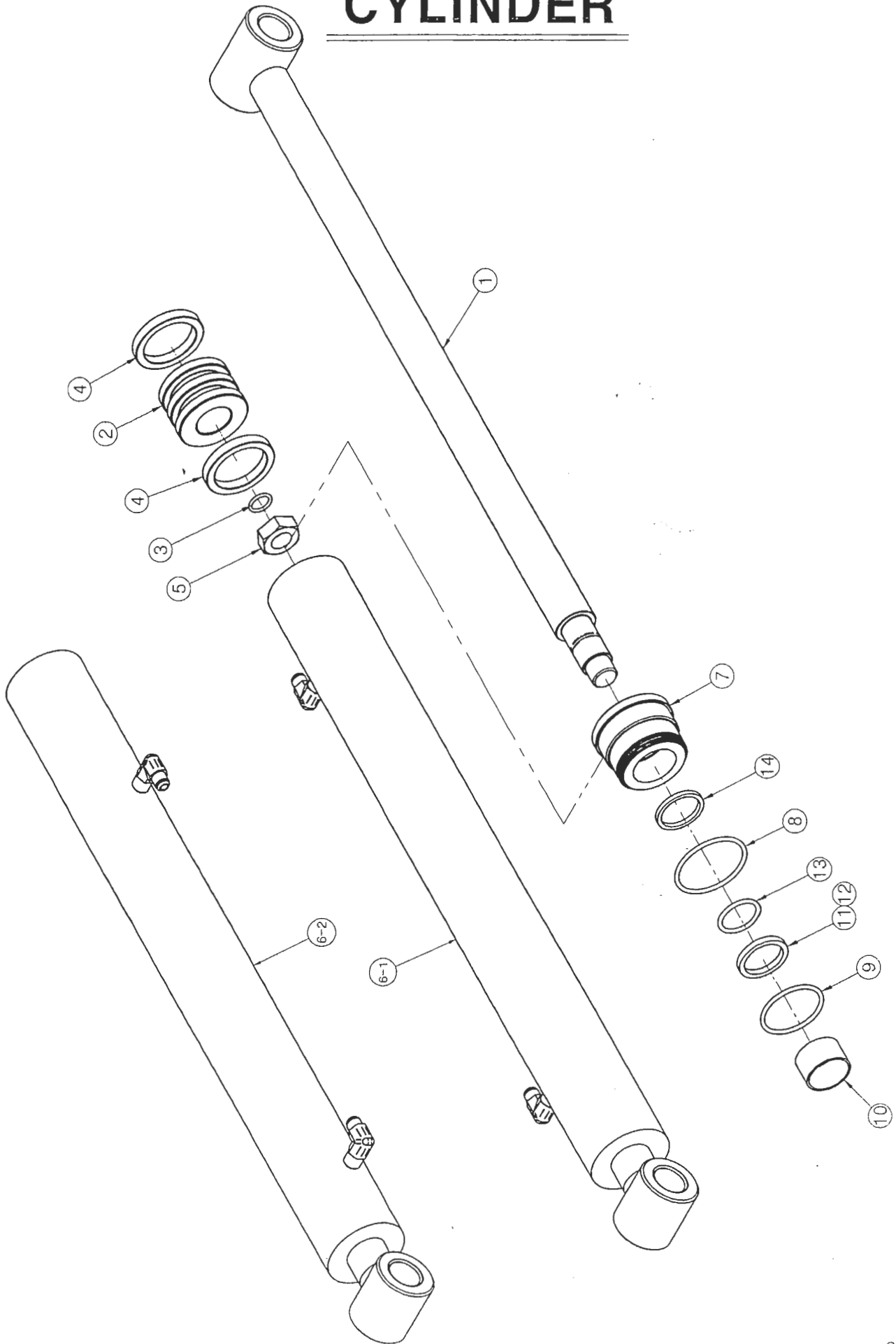
HYDRAULIC PARTS



HYDRAULIC PARTS

NO.	PART NAME	PART NUMBER	Q'TY	REMARK
1	PIPE	8595-07-1100	1	
2	PIPE	8595-07-1200	1	
3	PIPE	8595-07-1300	1	
4	PIPE	8595-07-1400	1	
5	PIPE	8595-07-1500	1	
6	PIPE	8595-07-1600	1	
7	PIPE	8595-07-1700	1	
8	PIPE	8595-07-1800	1	
9	HOSE ASS'Y	3P81-1110	1	
10	HOSE ASS'Y	3P81-1130	1	
11	HOSE ASS'Y	3P81-1120	1	
12	HOSE ASS'Y	3P81-1080	1	
13			1	
14	HOSE ASS'Y	3P81-0520	1	
15	HOSE ASS'Y	3P81-1050	1	
16	HOSE ASS'Y	3P81-1070	1	
17	HOSE ASS'Y	3P81-1140	4	
18	HOSE ASS'Y	3P81-1100	4	
19	HOSE ASS'Y	3P81-1060	1	
20	HOSE ASS'Y	3P81-1090	1	
21	HOSE ASS'Y	3P81-1040	1	
22	CONTROL VALVE	DN2 3/4SAEZ3	1	Flt. Reg.
23	NIPPLE	ALK 28-07-9800	8	
24	TEE NIPPLE	ALK 28-07-9900	4	
25	Q-COUPLER(M)	ALK 28-07-7400	4	
26	Q-COUPLER(F)	ALK 28-07-7300	4	
27	O-RING NIPPLE	M7040-07-7010	1	"P" Port
28	O-RING NIPPLE	M7040-07-7020	1	"P/B" Port
29	O-RING NIPPLE	M7040-07-7030	1	"T" Port
30	O-RING NIPPLE	M7040-07-7040	4	
31	O-RING NELBOW	M7040-07-7050	3	NUT TYPE
32	LEVER ASS'Y	WK400-4K5050	1	L=1000mm
33	Elbow Nipple	ALK 28-07-9600	2	

CYLINDER



CYLINDER

NO.	PART NAME	PART NUMBER		Q'TY	REMARK
		BUCKET	BOOM		
1	ROD	7590A-05-1020	7085A-05-2020	1	
2	PISTON	7590A-05-1120	7085A-05-1120	1	
3	O-RING	1BP21	1BP21	1	
4	U-PACKING	ODI 70x55x9	ODI 70x55x9	2	
5	NUT	7590A-05-1150	7085A-05-1150	1	
6-1	TUBE	-	7085A-05-201A	1	
6-2		7590A-05-121A	-	1	
7	COVER ROD	7590A-05-1220	7085A-05-1030	1	
8	O-RING	1BG70	1BG70	1	
9	O-RING	1BP60	1BP60	1	
10	DU BUSH	7590A-05-1250	7085A-05-1060	1	
11	U-PACKING	ISI 40x50x6	ISI 40x50x6	1	
12	BACK UP RING	BRT3 40x50x2	BRT3 40x50x2	1	
13	O-RING	1BP60	1BP60	1	
14	DUST SEAL	LBI 40x48x5/6.5	LBI 40x48x5/6.5	1	
SEAL KIT		SEAL 7040	SEAL 7040		
(Include 3, 4, 8, 9, 11, 12, 13, 14)					

DECAL & MANUAL

