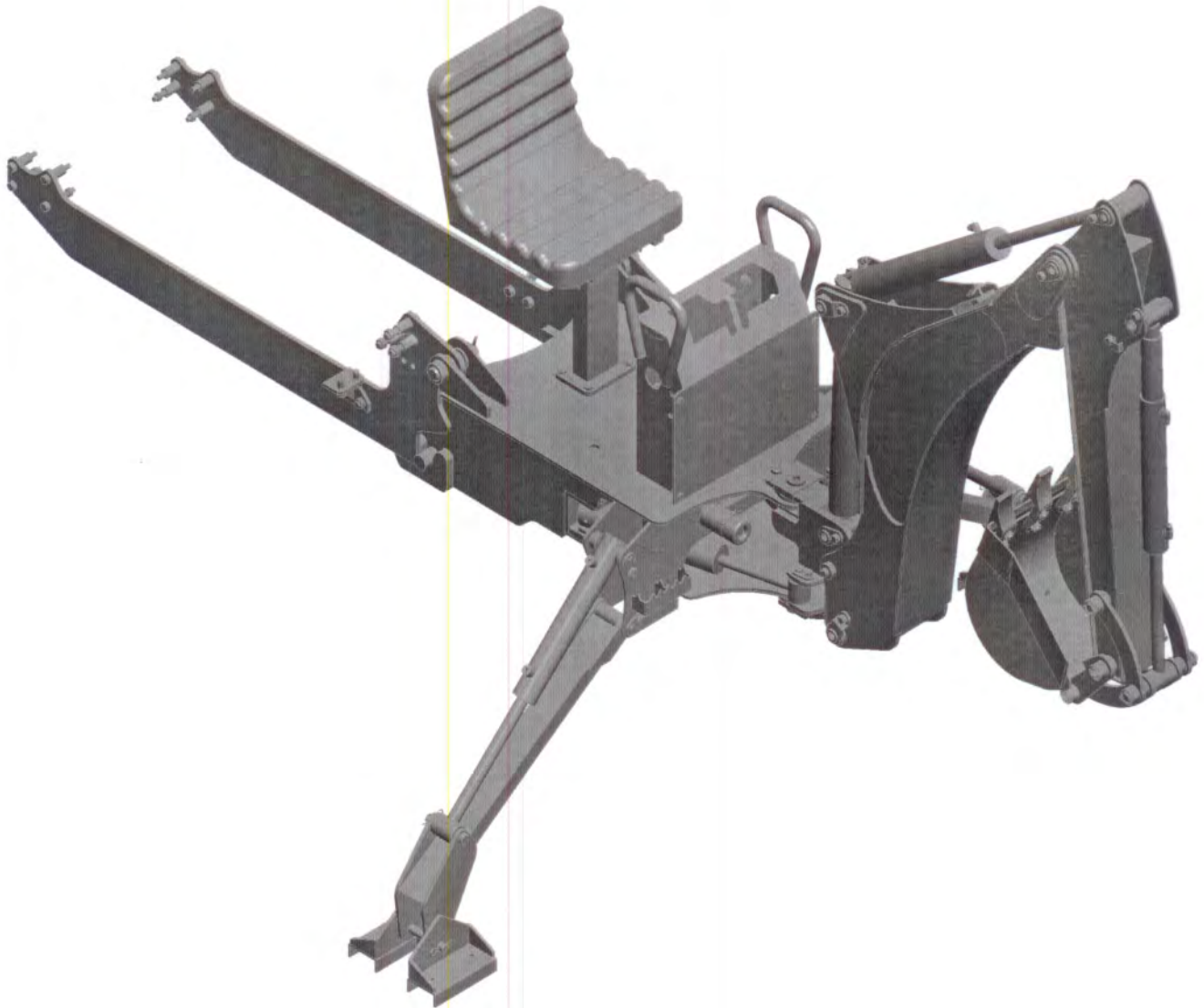


PARTS MANUAL

BK976



BACKHOE

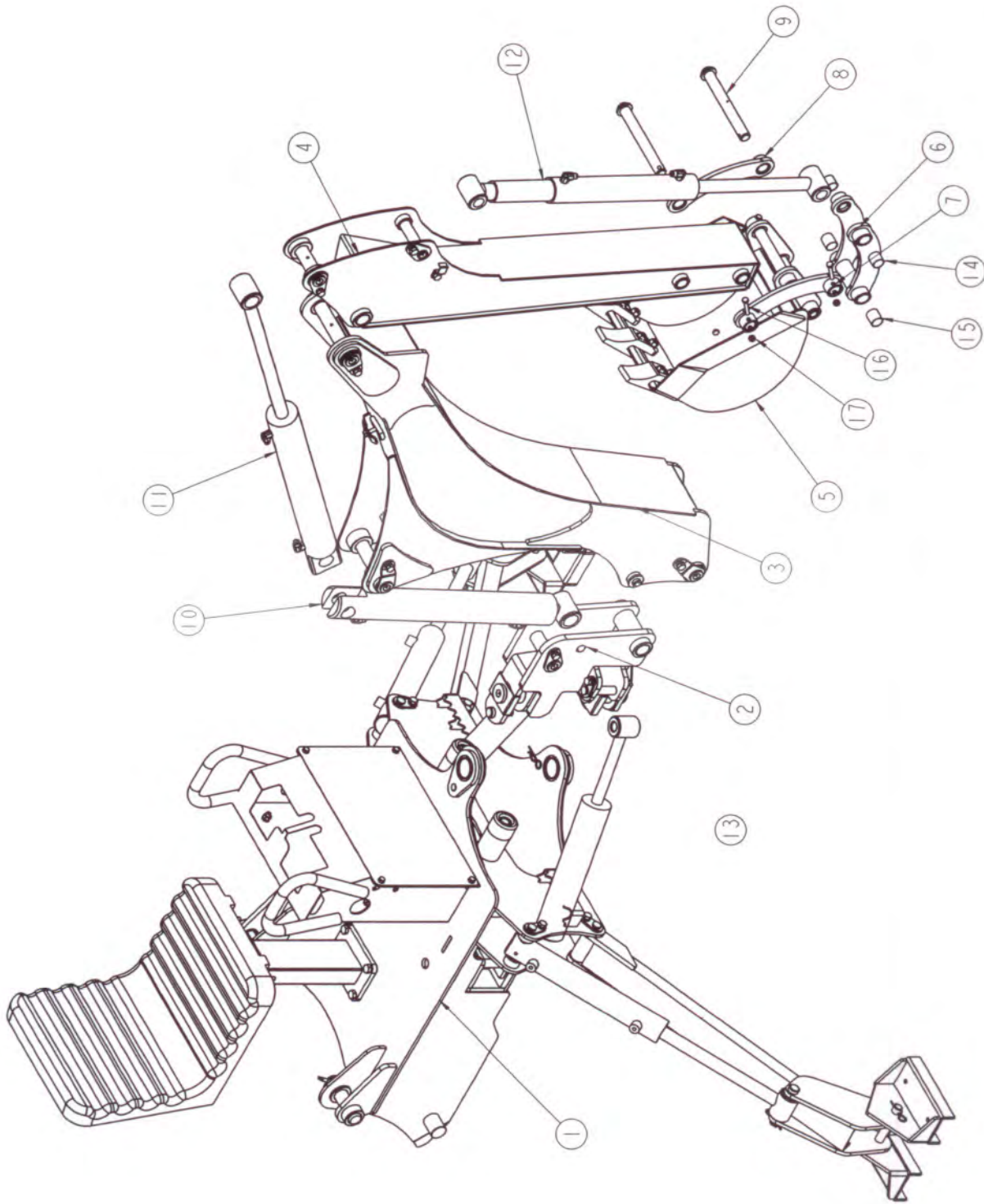
BK976-PM-01
Printed 2008, 07, 04

Table of Contents

(BK976)

Main Assembly -----	2
Frame Assembly -----	4
Swing Frame Assembly -----	6
Boom-Lower Assembly -----	8
Boom-High Assembly -----	10
Bucket Assembly -----	12
Mounting kits Assembly -----	14
Hydraulic Assembly -----	16
Cylinder Assembly -----	18
Decal & Manual -----	20

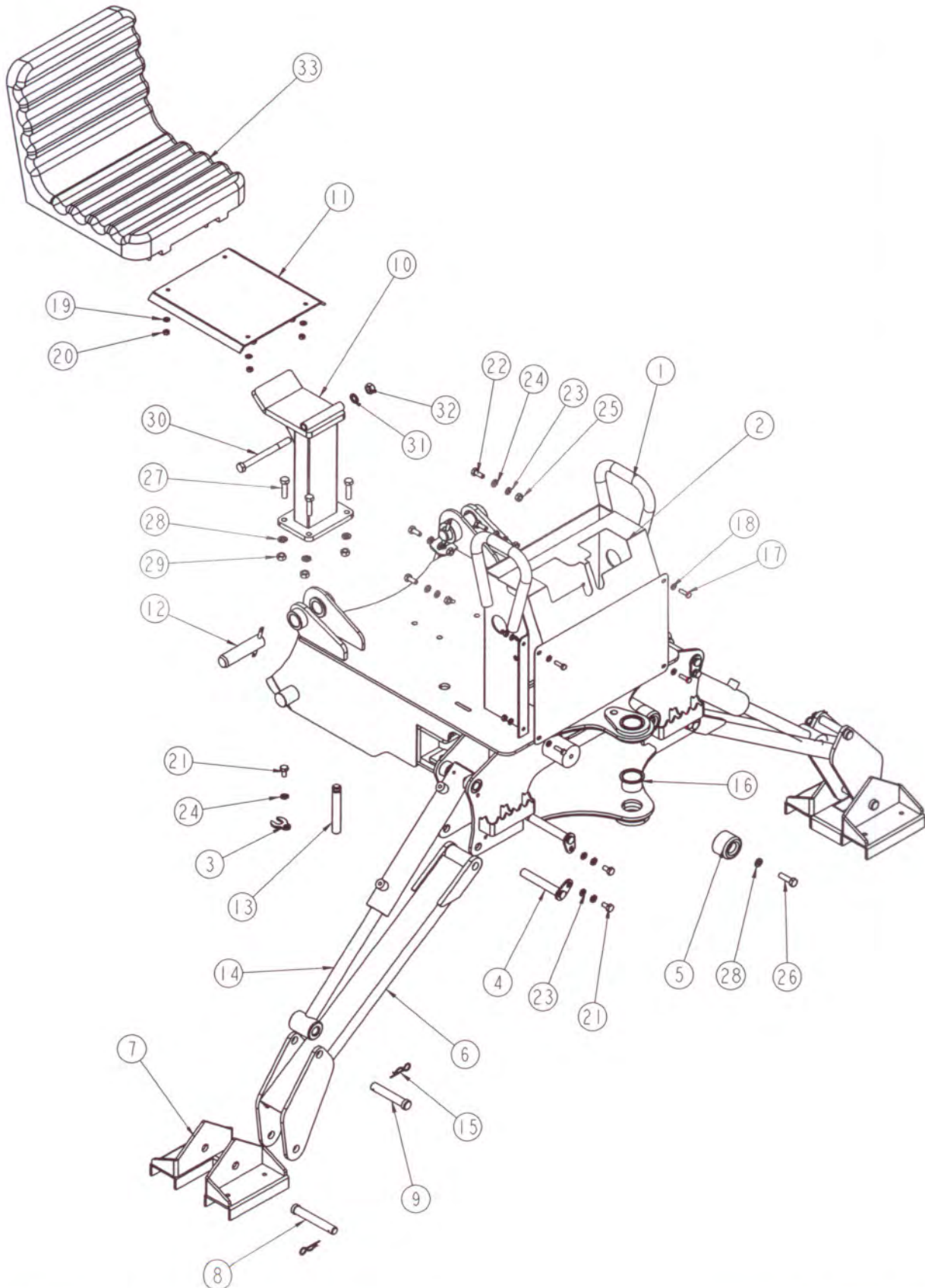
MAIN ASSEMBLY



MAIN ASSEMBLY

NO.	PART NUMBER	PART NAME	DESCRIPTION	Q'TY	REMARK
1	BMF4976A	MAIN FRAME		1	
2	BSF4976A	SWING-FRAME ASSY		1	
3	BBL76C	BOOM-LOWER ASSY		1	
4	BBH76C	BOOM-HIGH ASSY		1	
5	BBK40B	BUCKET ASSY		1	
6	BBK40B-5100	ROD BUCKET		1	
7	BBK40B-5300	LINK		1	
8	BBK40B-5400	LINK		1	
9	BBK40B-5500	PIN		2	
10	BH76C-09-8100	BOOM CYLINDER		1	
11	BH76C-09-8300	DIPPER CYLINDER		1	
12	BH76C-09-9000	BUCKET CYLINDER		1	
13	BK976-09-9500	SWING CYLINDER		2	
14	DB255N015	DU BUSH	∅25x∅28x25L	2	
15	DB256N015	DU BUSH	∅25x∅28x30L	2	
16	BH08AA125Z	BOLT(10.9T)	M8x50L	2	
17	NH08125Z	NUT	M8	2	

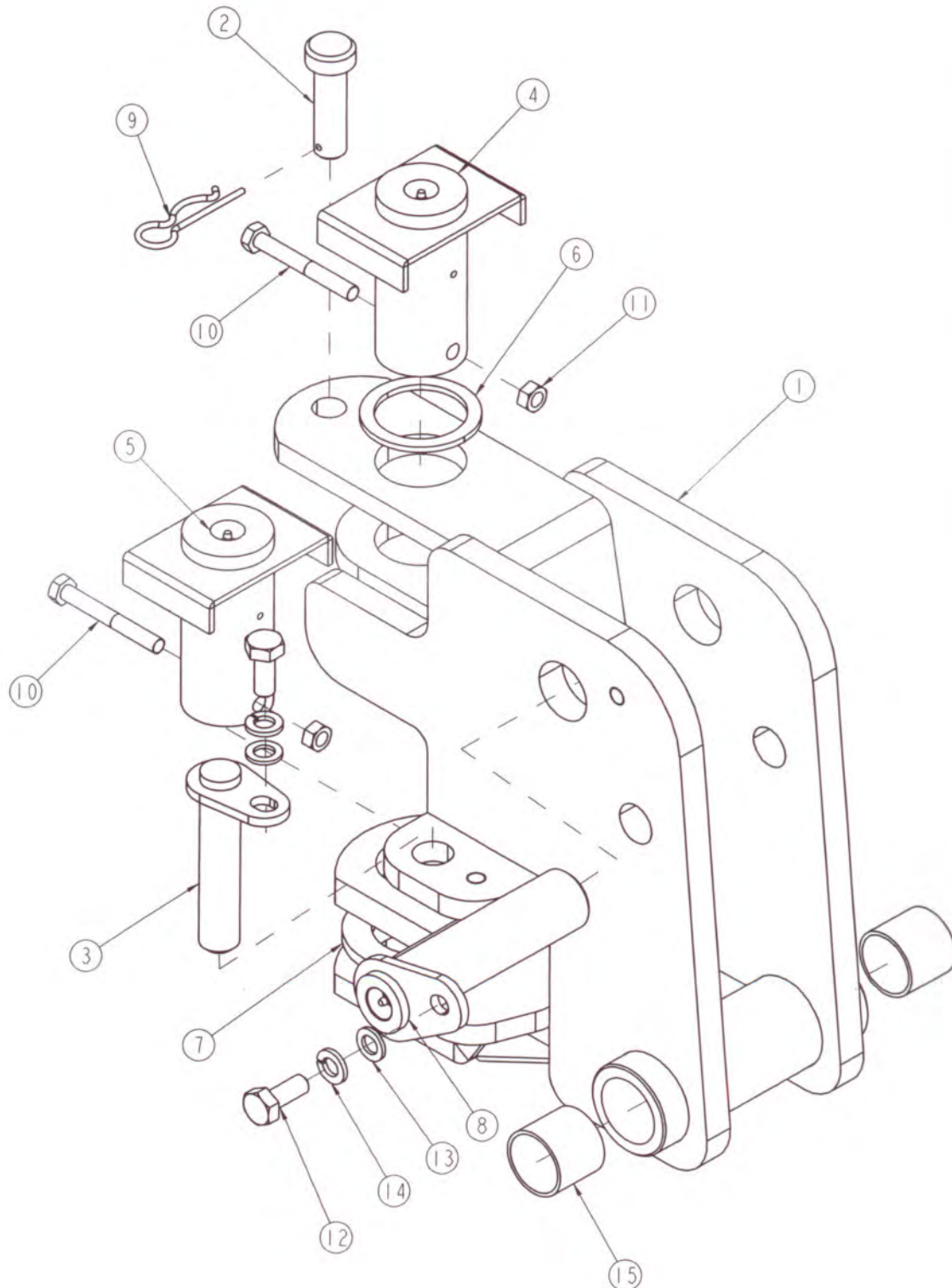
FRAME ASSEMBLY



FRAME ASSEMBLY

NO.	PART NUMBER	PART NAME	DESCRIPTION	Q'TY	REMARK
1	BMF4976A-1000	FRAME		1	
2	BMF4976A-0010	COVER	1.6t	1	
3	BMF66A-0020	GRIP	5t	2	
4	BMF860-0100	PIN		4	
5	BMF40-1150	STOPPER	∅60	2	
6	BMF40-280A	STABILIZER LEG		2	
7	BMF40-290A	STABILIZER		2	
8	BMF40-0020	PIN	∅20	2	
9	BMF40-0030	PIN	∅20	2	
10	BMF66A-4000	BRACKET		1	
11	BMF40-330A	SEAT BRACKET		1	
12	BMF4976A-5100	PIN		2	
13	BMF66A-5200	PIN	∅20x139L	2	
14	C7600-09-8500	STABILIZER CYLINDER		2	
15	PR30045	R-PIN	∅3	4	
16	DB95T030	DU BUSH	∅45x30L	2	
17	BH0855125Z	BOLT(10.9T)	M8x25L	4	
18	WP08M	PLAIN WASHER	M8	4	
19	WS08M	SPRING WASHER	M8	8	
20	NH08125Z	NUT	M8	8	
21	BH1044150Z	BOLT(10.9T)	M10x20L	6	
22	BH1055150Z	BOLT(10.9T)	M10x25L	4	
23	WP10M	PLAIN WASHER	M10	8	
24	WS10M	SPRING WASHER	M10	10	
25	NH10150Z	NUT	M10	4	
26	BH1288175Z	BOLT(10.9T)	M12x40L	2	
27	BH1299175Z	BOLT(10.9T)	M12x45L	4	
28	WS12M	SPRING WASHER	M12	6	
29	NH12175Z	NUT	M12	4	
30	BH14W8200Z	BOLT(10.9T)	M14x160L	1	
31	WP14M	PLAIN WASHER	M14	1	
32	NL14200Z	LOCK NUT	M14	1	
33	KA18009730	SEAT		1	

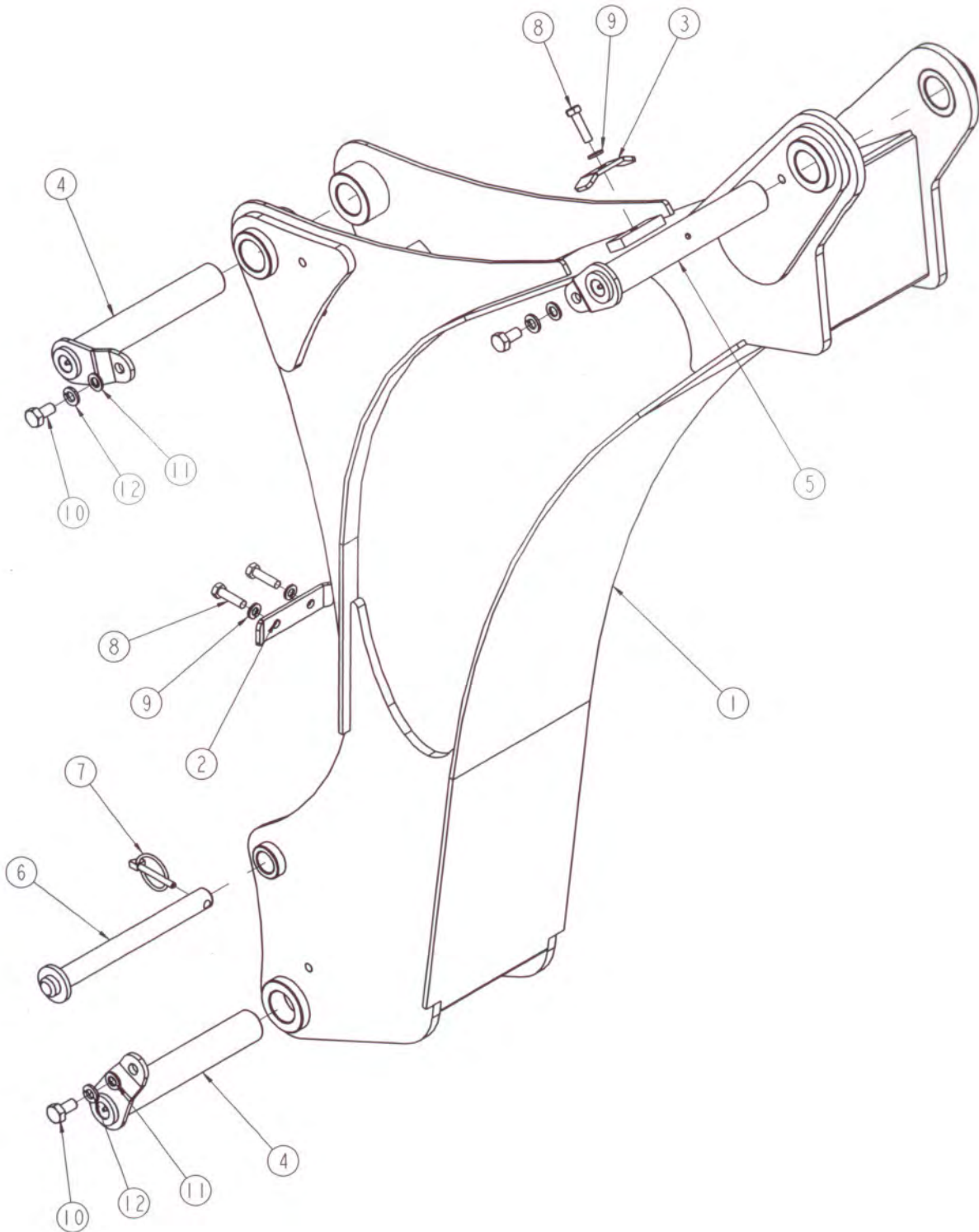
SWING FRAME ASSEMBLY



SWING FRAME ASSEMBLY

NO.	PART NUMBER	PART NAME	DESCRIPTION	Q'TY	REMARK
1	BSF4976A-0000	SWING FRAME		1	
2	BSF40-0010	PIN	∅20x90L	1	
3	BSF40-1700	PIN		2	
4	BSF40-1900	PIN		1	
5	BSF40-190A	PIN		1	
6	BSF40-1930	SHIM	3.2t	1	
7	BSF66A-1940	SHIM	6t	1	
8	P32B-1200	PIN		1	
9	PR30045	R-PIN	∅3	1	
10	BH08D6125Z	BOLT(10.9T)	M8x65L	2	
11	NL08125Z	LOCK NUT	M8	2	
12	BH1055150Z	BOLT(10.9T)	M10x25L	3	
13	WP10M	PLAIN WASHER	M10	3	
14	WS10M	SPRING WASHER	M10	3	
15	DB326N020	DU BUSH	∅32x∅36x30L	2	

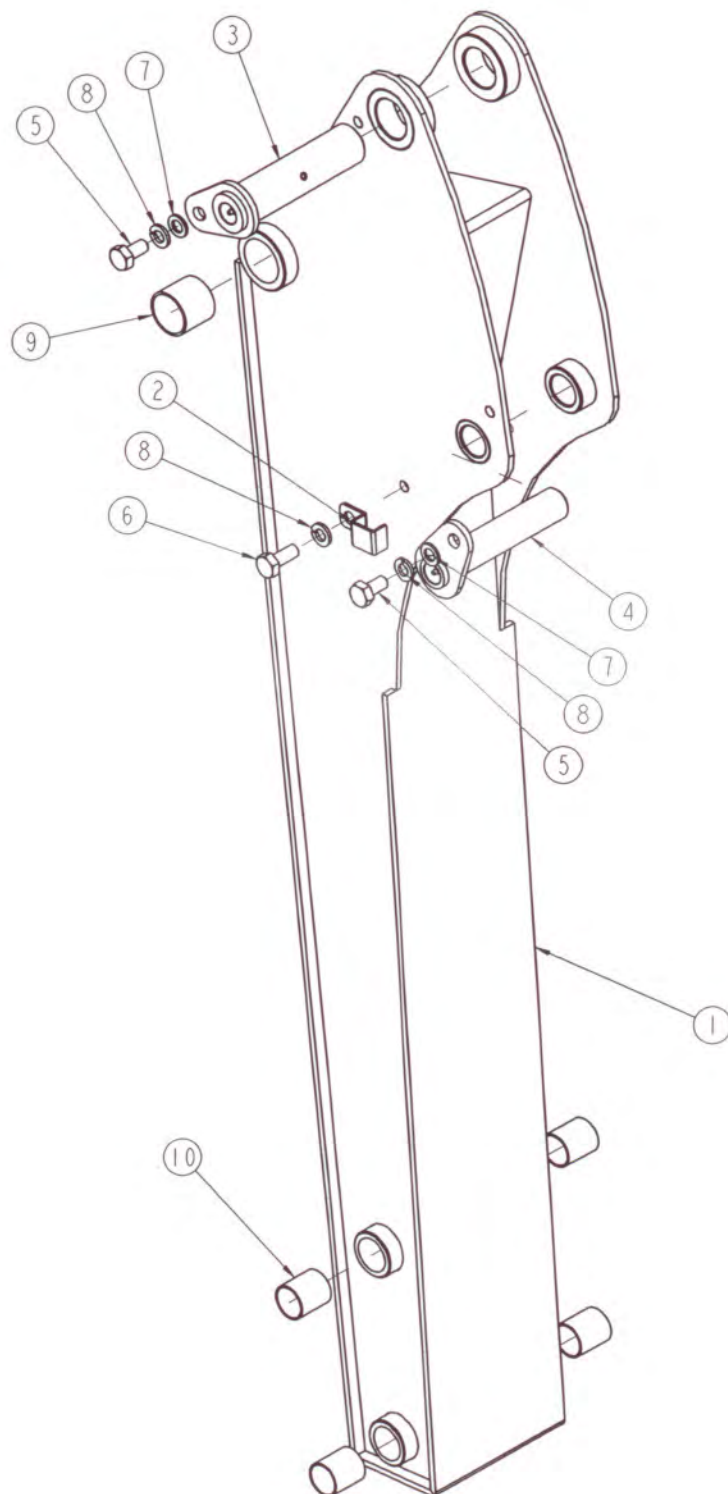
BOOM LOWER ASSEMBLY



BOOM LOWER ASSEMBLY

NO.	PART NUMBER	PART NAME	DESCRIPTION	Q'TY	REMARK
1	BBL76C-0000	BOOM-LOWER		1	
2	BBL66A-0010	HOSE CLAMP LOW	4†	1	
3	BBL66A-002A	HOSE CLAMP HIGH	4†	1	
4	P32A-1900	PIN		2	
5	P32A-2050	PIN		1	
6	BBL76C-5600	PIN		1	
7	AL20-98-9990	LINK PIN		1	
8	BH0866125Z	BOLT(10.9T)	M8x30L	3	
9	WS08M	SPRING WASHER	M8	3	
10	BH1044150Z	BOLT(10.9T)	M10x20L	3	
11	WP10M	PLAIN WASHER	M10	3	
12	WS10M	SPRING WASHER	M10	3	

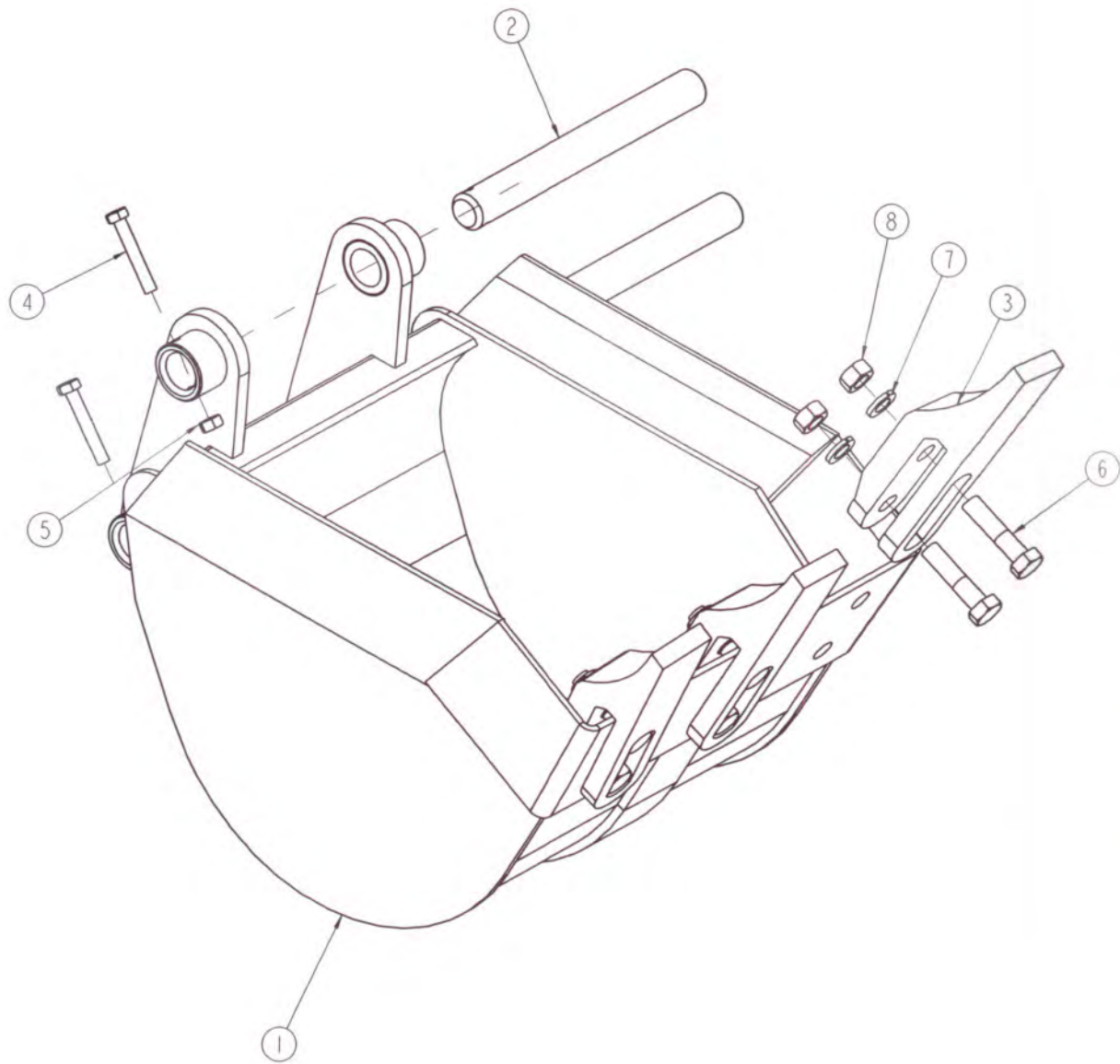
BOOM HIGH ASSEMBLY



BOOM HIGH ASSEMBLY

NO.	PART NUMBER	PART NAME	DESCRIPTION	Q'TY	REMARK
1	BBH76C-0000	BOOM-HI		1	
2	BBH76C-1080	HOLDER	2.3t	2	
3	P32B-1200	PIN		1	
4	P25B-120A	PIN		1	
5	BH1044150Z	BOLT(10.9T)	M10x20L	2	
6	BH1055150Z	BOLT(10.9T)	M10x25L	2	
7	WP10M	PLAIN WASHER	M10	2	
8	WS10M	SPRING WASHER	M10	4	
9	DB326N020	DU BUSH	∅ 32x∅ 36x30L	2	
10	DB256N015	DU BUSH	∅ 25x∅ 28x30L	4	

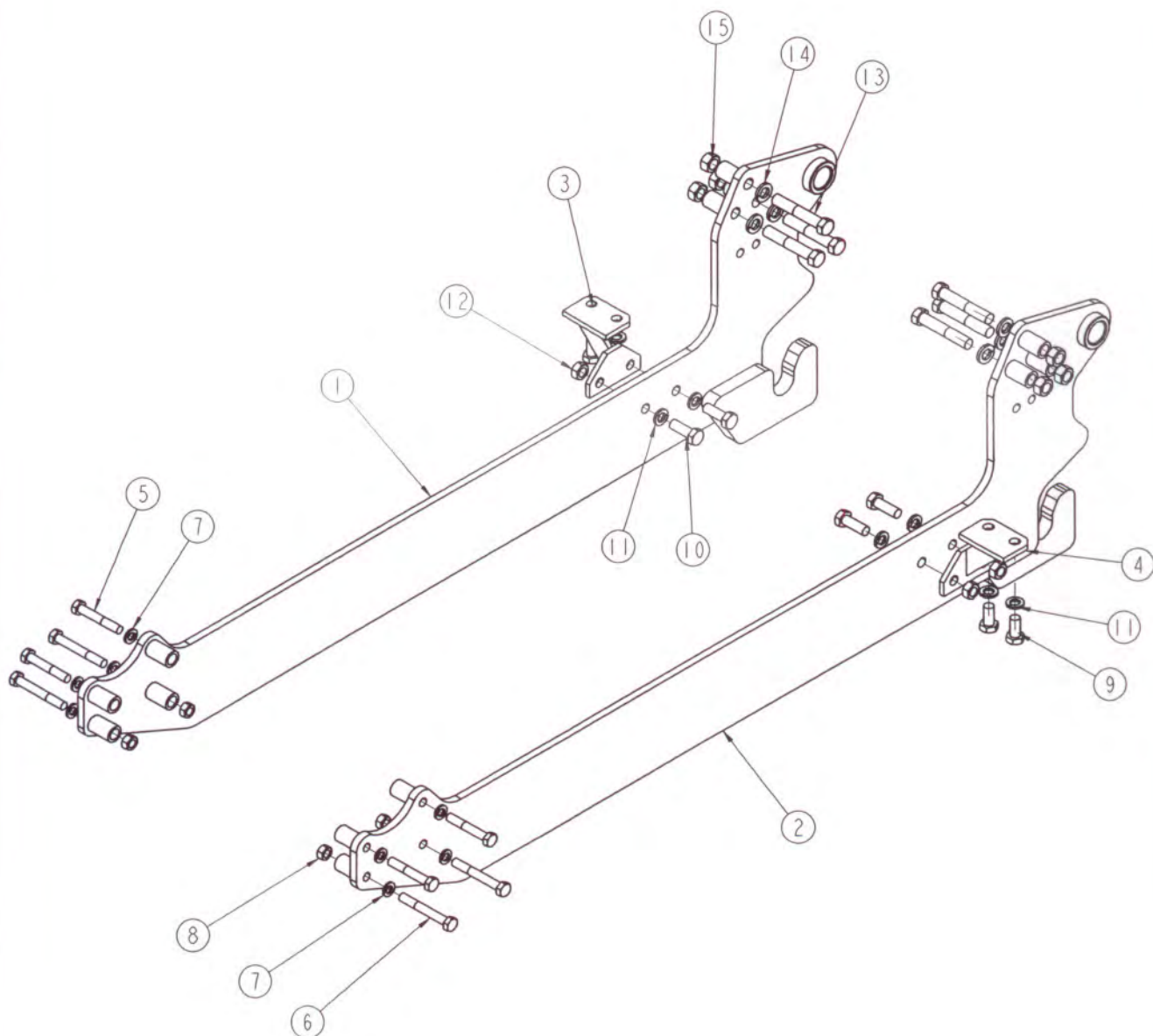
BUCKET ASSEMBLY



BUCKET ASSEMBLY

NO.	PART NUMBER	PART NAME	DESCRIPTION	Q'TY	REMARK
1	BBK40B-0000	BUCKET(13" HD)		1	16" Option
2	BBK40B-0010	PIN	Ø25x217L	2	
3	ALN47-21-9000	TOOTH		3	
4	BH08AA125Z	BOLT(10.9T)	M8x50L	2	
5	NL08125Z	LOCK NUT	M8	2	
6	BH12A6175Z	BOLT(10.9T)	M12x50L	6	
7	WS12M	SPRING WASHER	M12	6	
8	NH12175Z	NUT	M12	6	

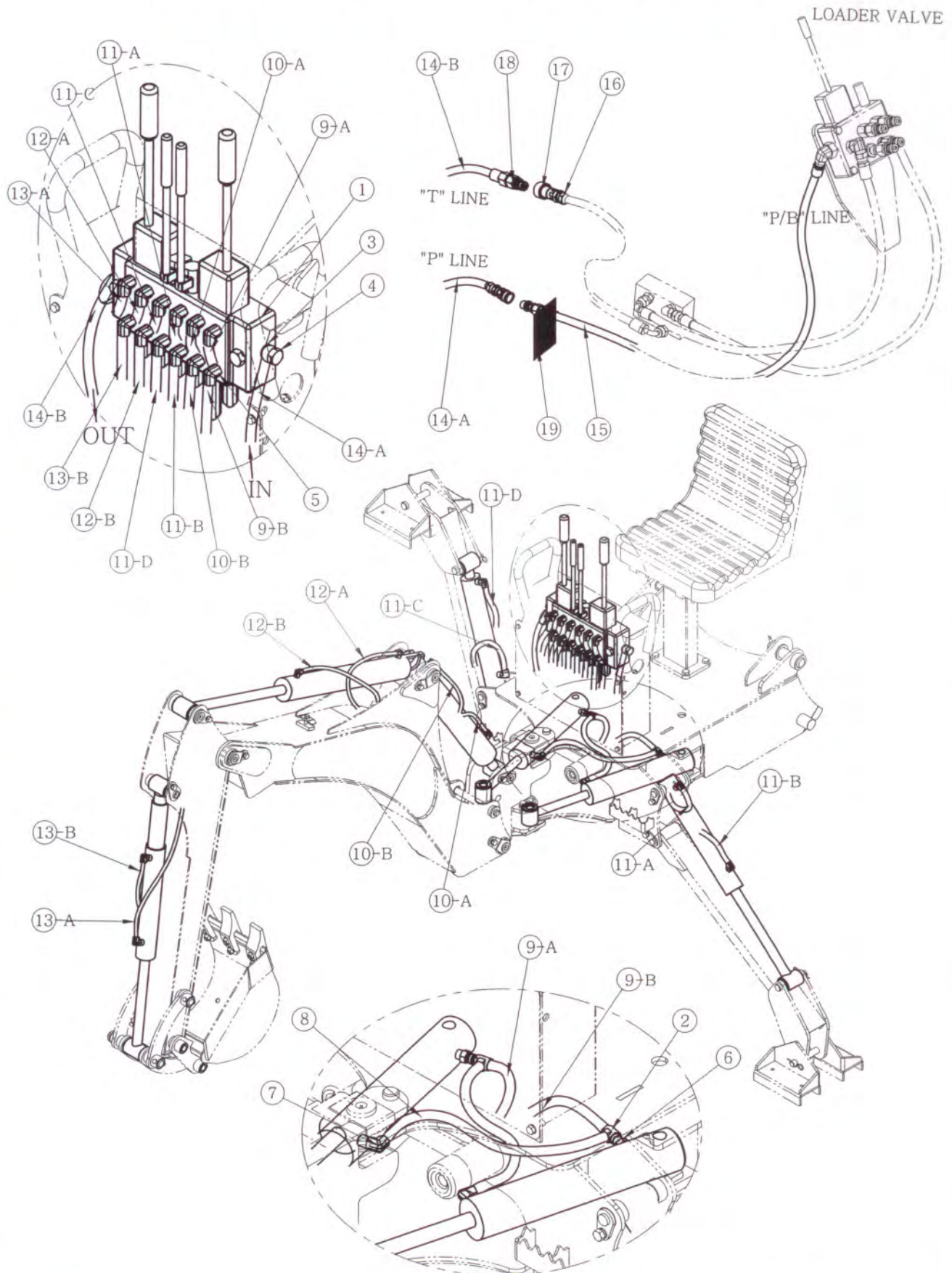
MOUNTING KITS ASSEMBLY



MOUNTING KITS ASSEMBLY

NO.	PART NUMBER	PART NAME	DESCRIPTION	Q'TY	REMARK
1	BMK4976A-1100	FRAME LH.		1	
2	BMK4976A-1200	FRAME RH.		1	
3	BMK4976A-1300	BRACKET LH.		1	
4	BMK4976A-1400	BRACKET RH.		1	
5	BH12F6125Z	BOLT(10.9T)	M12x75Lx1.25P	4	
6	BH1216175Z	BOLT(10.9T)	M12x90L	4	
7	WS12M	SPRING WASHER	M12	8	
8	NH12175Z	NUT	M12	4	
9	BH1466150Z	BOLT(10.9T)	M14x30Lx1.5P	4	
10	BH1488200Z	BOLT(10.9T)	M14x40L	4	
11	WS14M	SPRING WASHER	M14	8	
12	NH14200Z	NUT	M14	4	
13	BH1618200Z	BOLT(10.9T)	M16x90L	6	
14	WS16M	SPRING WASHER	M16	6	
15	NH16200Z	NUT	M16	6	

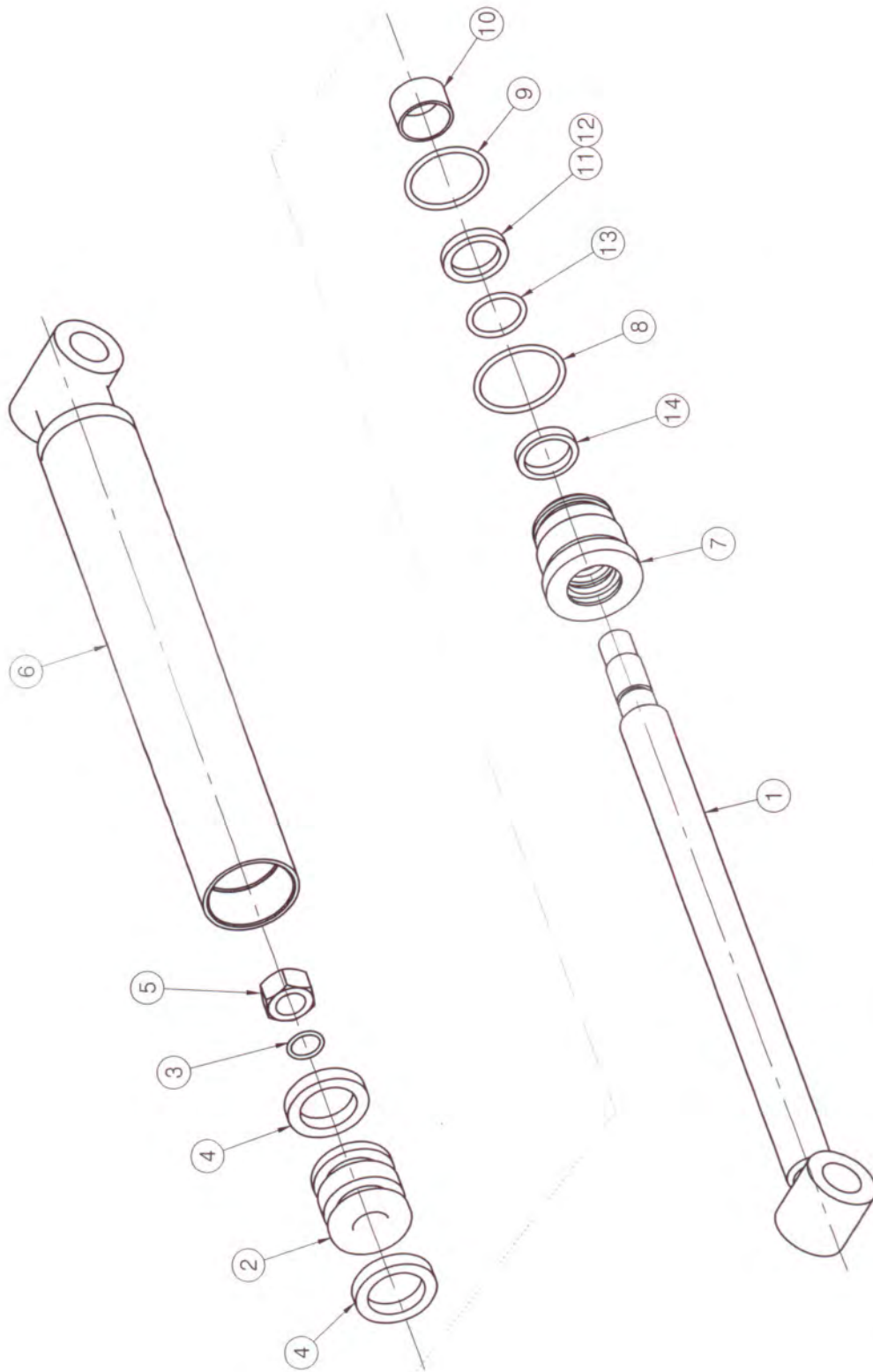
HYDRAULIC ASSEMBLY



HYDRAULIC ASSEMBLY

NO.	PART NUMBER	PART NAME	DESCRIPTION	Q'TY	REMARK
1	BH760-07-001A	CONTROL VALVE	DNC65/6 3/8GZ	1	
2	BH760-07-0030	NIPPLE	UNF 9/16"	2	
3	BH760-07-0040	COPPER WASHER	Φ30x1.2t	4	
4	BH760-07-0050	BENJO BOLT	PF 1/2"	2	
5	BH760-07-0060	ELBOW NIPPLE	PF3/8"-UNF 9/16"	12	
6	BH760-07-0070	NIPPLE	PT3/8"-UNF 9/16"	2	
7	ALK28-07-9500	ELBOW NIPPLE	PT3/8"-UNF 9/16"	12	
8	1P41-0530	HOSE	1/4"x1W/Bx500L	2	
9	1P41-0540	HOSE	1/4"x1W/Bx1000L	2	
10	1P41-0550	HOSE	1/4"x1W/Bx2050L	2	
11	1P41-0560	HOSE	1/4"x1W/Bx1300L	4	
12	1P41-0570	HOSE	1/4"x1W/Bx2250L	2	
13	1P41-0580	HOSE	1/4"x1W/Bx3400L	2	
14	3P81-1000	HOSE	3/8"x1W/Bx1650L	2	
15	3P81-0940	HOSE	3/8"x1W/Bx2150L	1	
16	AL35-07-7820	NIPPLE	PT3/8"-UNF 3/4"	1	
17	ALK28-07-7100	Q-COUPLER(F)	PT 3/8"	2	
18	ALK28-07-7200	Q-COUPLER(M)	PT 3/8"	2	
19	B5006	DECAL		1	

CYLINDER ASSEMBLY



CYLINDER ASSEMBLY

NO.	Part Number	Part Name	Q' ty					REMARK
			BH76C-09-8100	BH76C-09-8300	C7600-09-8500	BH76C-09-9000	BK976-09-9500	
1	BH76C-09-8010	ROD	1	-	-	-	-	
	BH76C-09-8310		-	1	-	-	-	
	C7600-09-8510		-	-	1	-	-	
	BH76C-09-9010		-	-	-	1	-	
	C7600-09-9510		-	-	-	-	1	
2	C7600-09-8020	PISTON	1	1	-	-	-	
	ALK 28-05-1120		-	-	1	1	-	
	C7600-09-9520		-	-	-	-	1	
3	1BP16	O-RING	-	-	1	1	-	
	1BP18		-	-	-	-	1	
	1BP21		1	1	-	-	-	
4	GR 50x42	U-PACKING	-	-	2	2	-	
	GR 60x42		-	-	-	-	2	
	ODI 65x50x10		2	2	-	-	-	
5	ALK 28-05-1150	NUT	1	1	1	1	1	
6	BH76C-09-8130	TUBE	1	-	-	-	-	
	BH76C-09-8330		-	1	-	-	-	
	C7600-09-8530		-	-	1	-	-	
	BH76C-09-9030		-	-	-	1	-	
	BK976-09-9530		-	-	-	-	1	
7	C7600-09-8040	COVER ROD	1	1	-	-	-	
	ALK 28-05-1030		-	-	1	1	-	
	C7600-09-9540		-	-	-	-	1	
8	1BG50	O-RING	1	1	-	-	-	
	1BG60		-	-	-	-	1	
	1BG65		-	-	1	1	-	
9	1BP44	O-RING	1	1	-	-	-	
	1BP50A		-	-	-	-	1	
	1BP55		-	-	1	1	-	
10	DU2520	DU BUSH	-	-	-	-	1	
	DU3020		1	1	1	1	-	
11	ISI 25x33x5	U-PACKING	-	-	-	-	1	
	ISI 30x40x6		1	1	1	1	-	
12	BRT3 25x33x2	BACK UP RING	-	-	-	-	1	
	BRT3 30x40x2		1	1	1	1	-	
13	1BP25	O-RING	-	-	-	-	1	
	1BP30		1	1	1	1	-	
14	LBI 25x33x4.5/6	DUST SEAL	-	-	-	-	1	
	LBI 30x38x5/6.5		1	1	1	1	-	

DECAL & MANUAL

