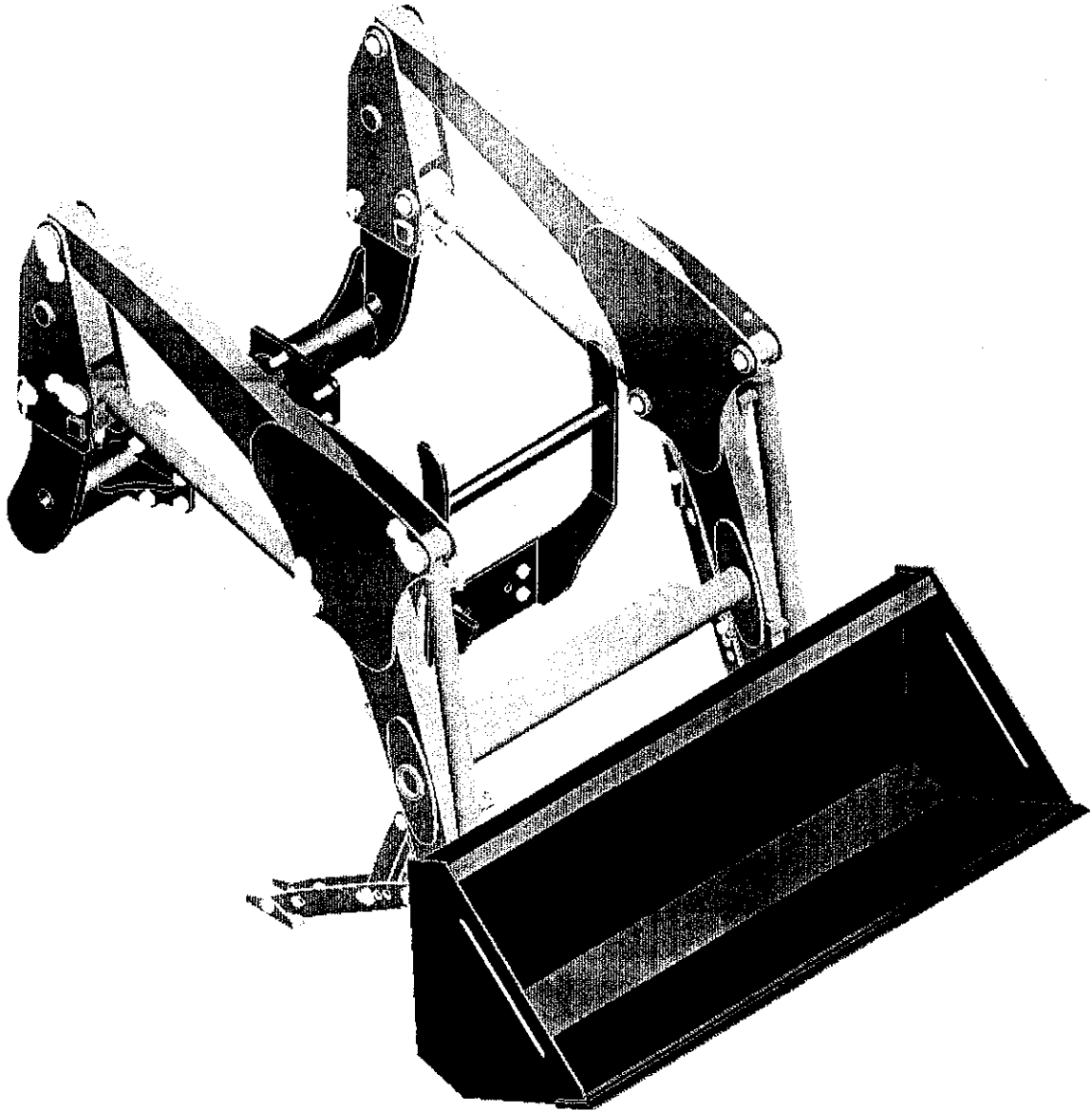


PARTS MANUAL

B2405



Front-End Loader

M09011

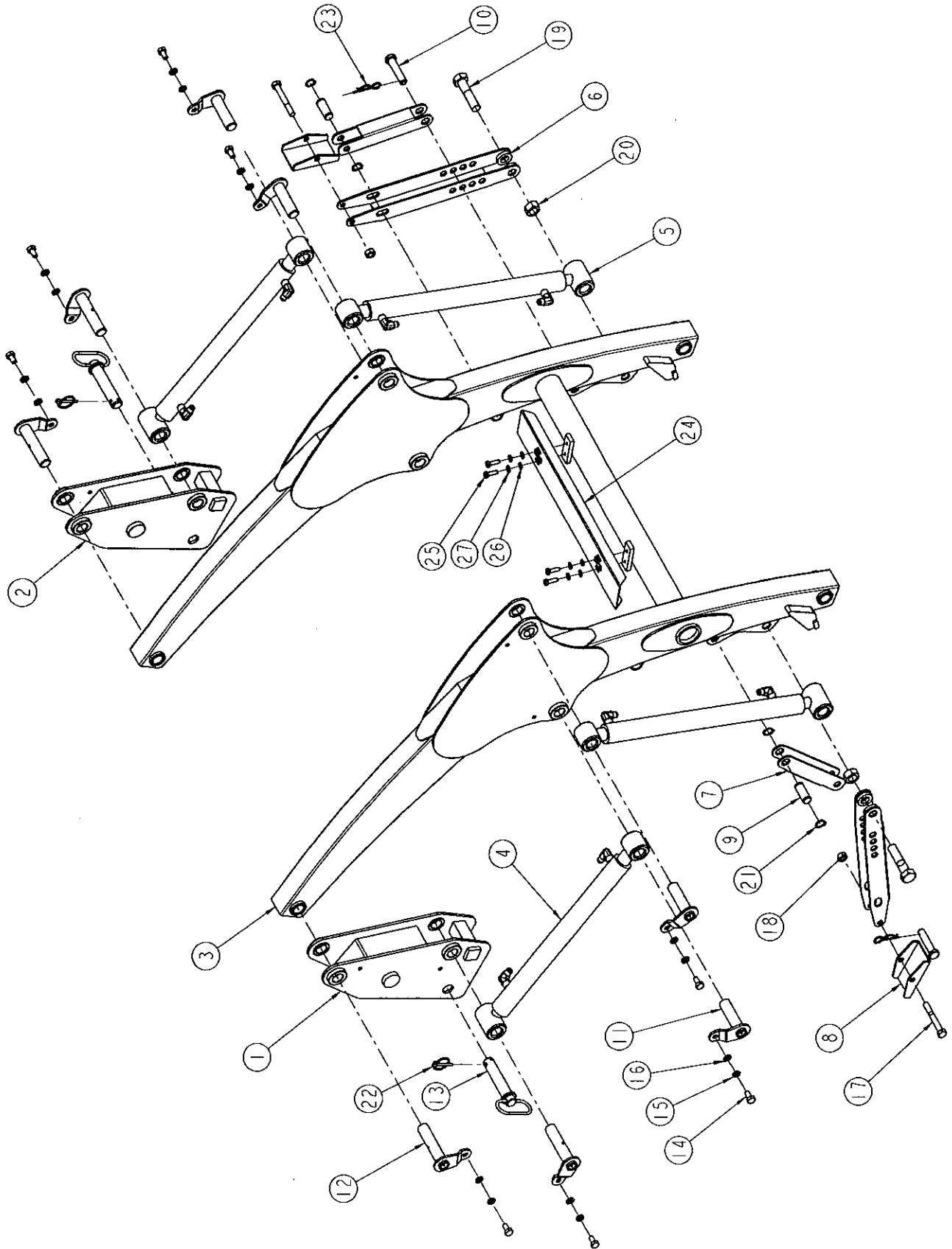
Printed 2009, 10, 14

Table of Contents

(B2405)

Boom Assembly -----	2
Bucket Assembly -----	4
Mounting Kit Assembly -----	6
Cylinder Assembly -----	8
Hydraulic Parts -----	10
Decal & Manual -----	12

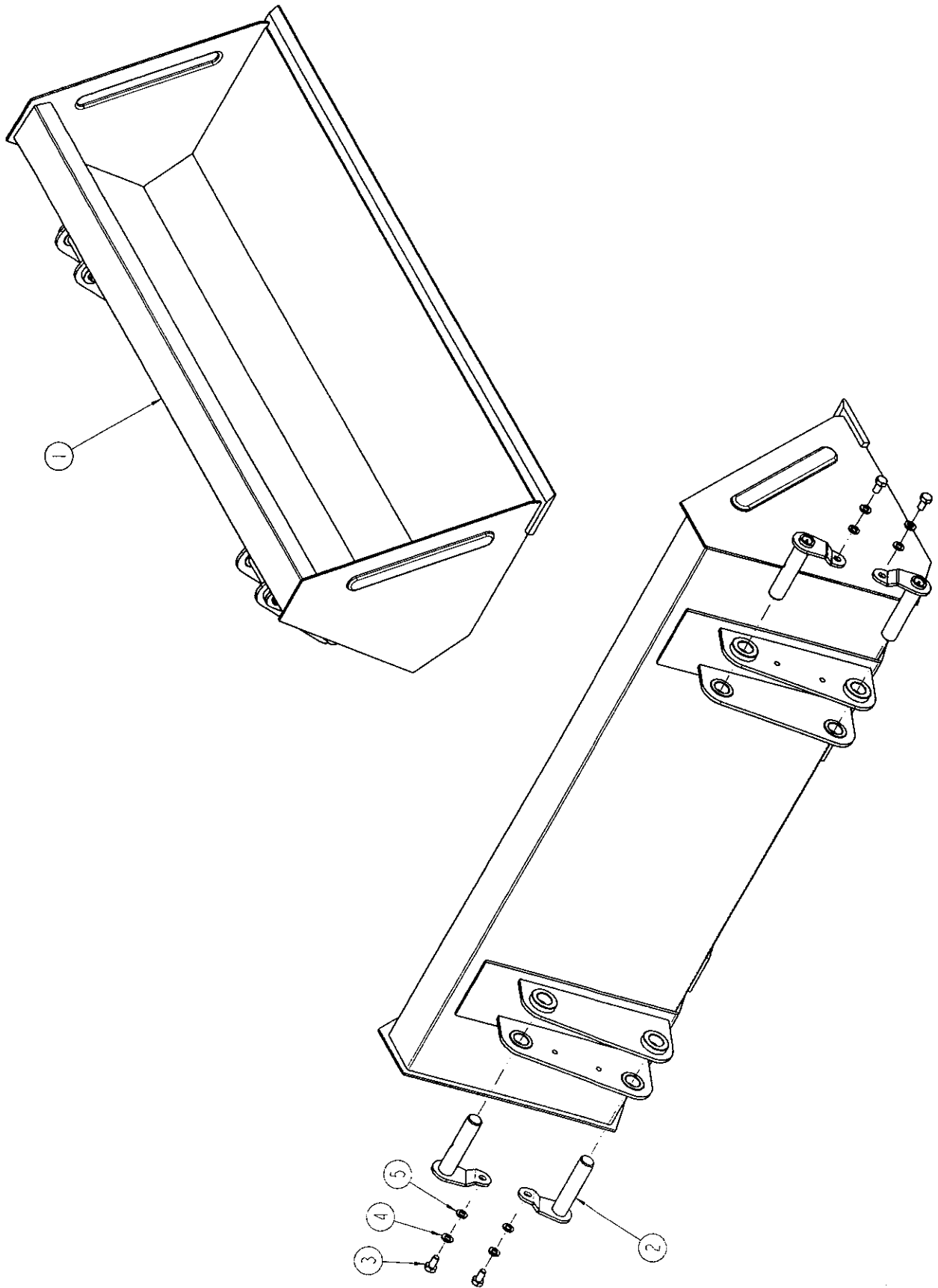
BOOM ASSEMBLY



BOOM ASSEMBLY

NO.	PART NUMBER	PART NAME	DESCRIPTION	Q'TY	REMARK
1	CI400A-3100	COLUMN RH.		1	
2	CI400A-3200	COLUMN LH.		1	
3	CI400B-0000	BOOM ASSY		1	
4	CI400B-800A	BOOM CYLINDER		2	
5	CI400B-900A	BUCKET CYLINDER		2	
6	CI400B-8100	STAND		2	
7	CI400B-8200	BRACKET	4+	2	
8	4060A-8400	BRACKET	4+	2	
9	4060A-8520	PIN	∅20x48L	2	
10	4060A-8530	PIN	∅16x80L	2	
11	P25A-090A	PIN	∅25	4	
12	P25A-115A	PIN		4	
13	P25C-1030	PIN		2	
14	BH1044150Z	BOLT(10.9T)	M10x20L	8	
15	WS10M	SPRING WASHER	M10	8	
16	WP10M	PLAIN WASHER	M10	8	
17	BH1216175Z	BOLT(10.9T)	M12x90L	2	
18	NL12175Z	LOCK NUT	M12	2	
19	BH20H5250X	BOLT(10.9T)	M20x85L	2	
20	NL20250Z	LOCK NUT	M20	2	
21	SN20M	SNAP RING	∅20	4	
22	AL20-98-9990	LINK PIN		2	
23	PR30045	R-PIN	∅3	2	
24	CI400B-7010	COVER	2.3+	1	
25	BH0855125X	BOLT(10.9T)	M8x25L	4	
26	WP08M	PLAIN WASHER	M8	4	
27	WS08M	SPRING WASHER	M8	4	

BUCKET ASSEMBLY

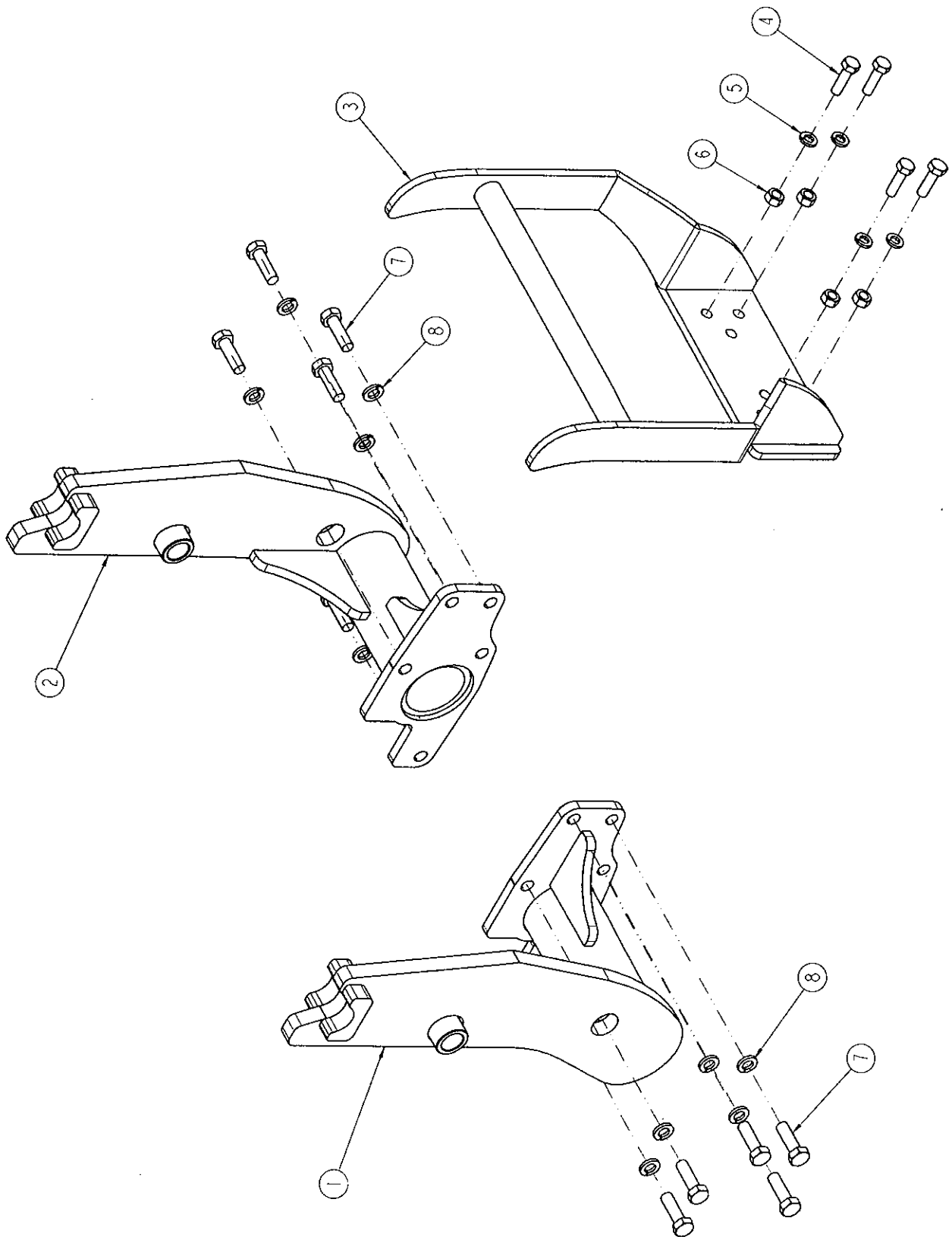


BUCKET ASSEMBLY

(P/N:BT25A-0000)

NO.	PART NUMBER	PART NAME	DESCRIPTION	Q'TY	REMARK
1	BT25A-1000	BUCKET ASSY	L=1200	1	Std.
2	BT25B-1000	BUCKET ASSY	L=1270	1	Option
3	P25A-115A	PIN		4	
4	BH1044150Z	BOLT(10.9T)	M10x20L	4	
5	WS10M	SPRING WASHER	M10	4	
6	WP10M	PLAIN WASHER	M10	4	

MOUNTING KIT ASSEMBLY

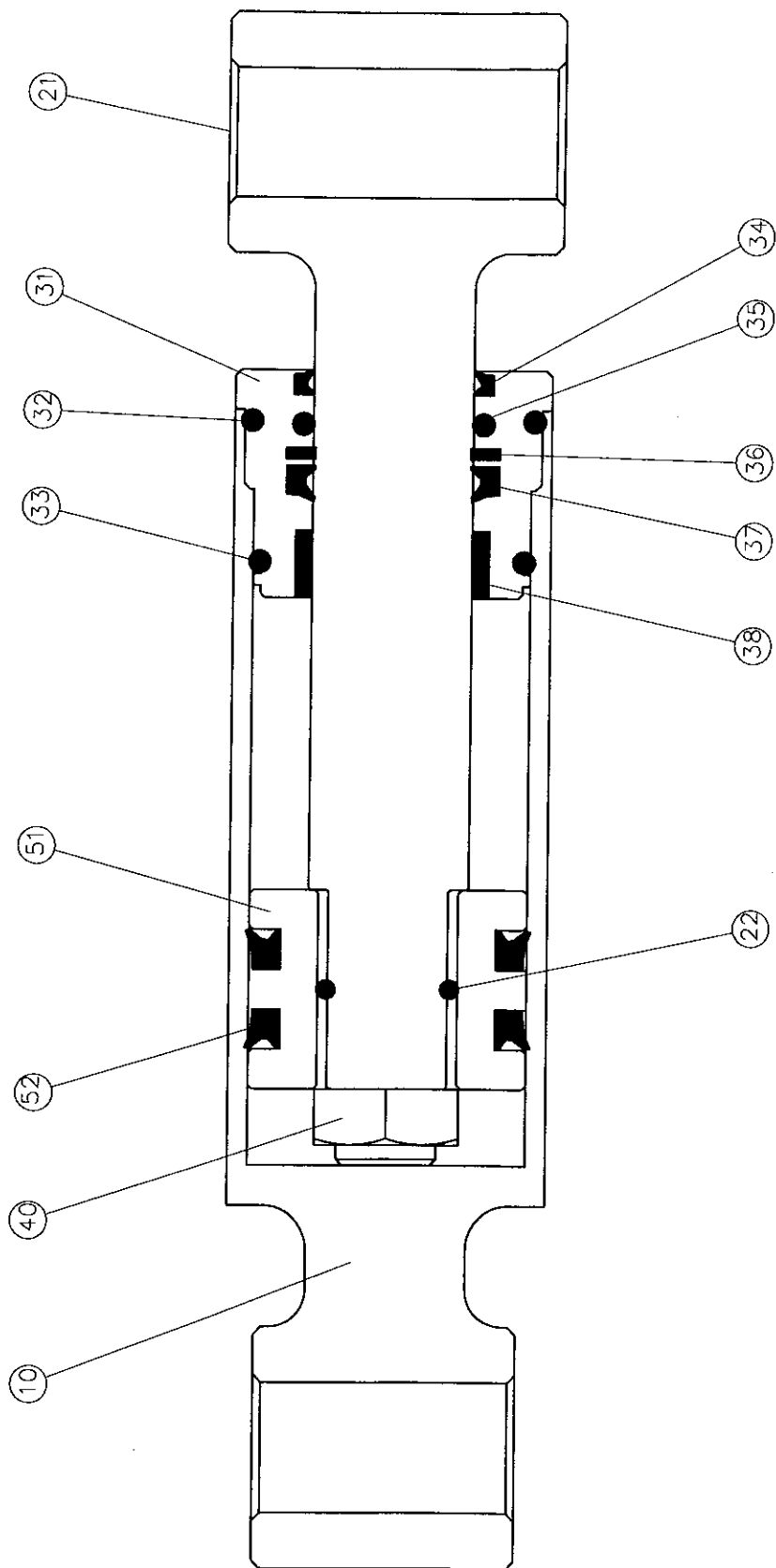


MOUNTING KIT ASSEMBLY

(P/N:BX2660)

NO.	PART NUMBER	PART NAME	DESCRIPTION	Q'TY	REMARK
1	BX2660A-1100	SUB FRAME, RH.		1	
2	BX2660A-1200	SUB FRAME, LH.		1	
3	BX2660A-4100	BUMPER		1	
4	BH1288175Z	BOLT(10.9T)	M12x40L	4	
5	WS12M	SPRING WASHER	M12	4	
6	NH12175Z	NUT	M12	4	
7	BH1499150Z	BOLT(10.9T)	M14x45Lx1.5P	10	
8	WS14M	SPRING WASHER	M14	10	

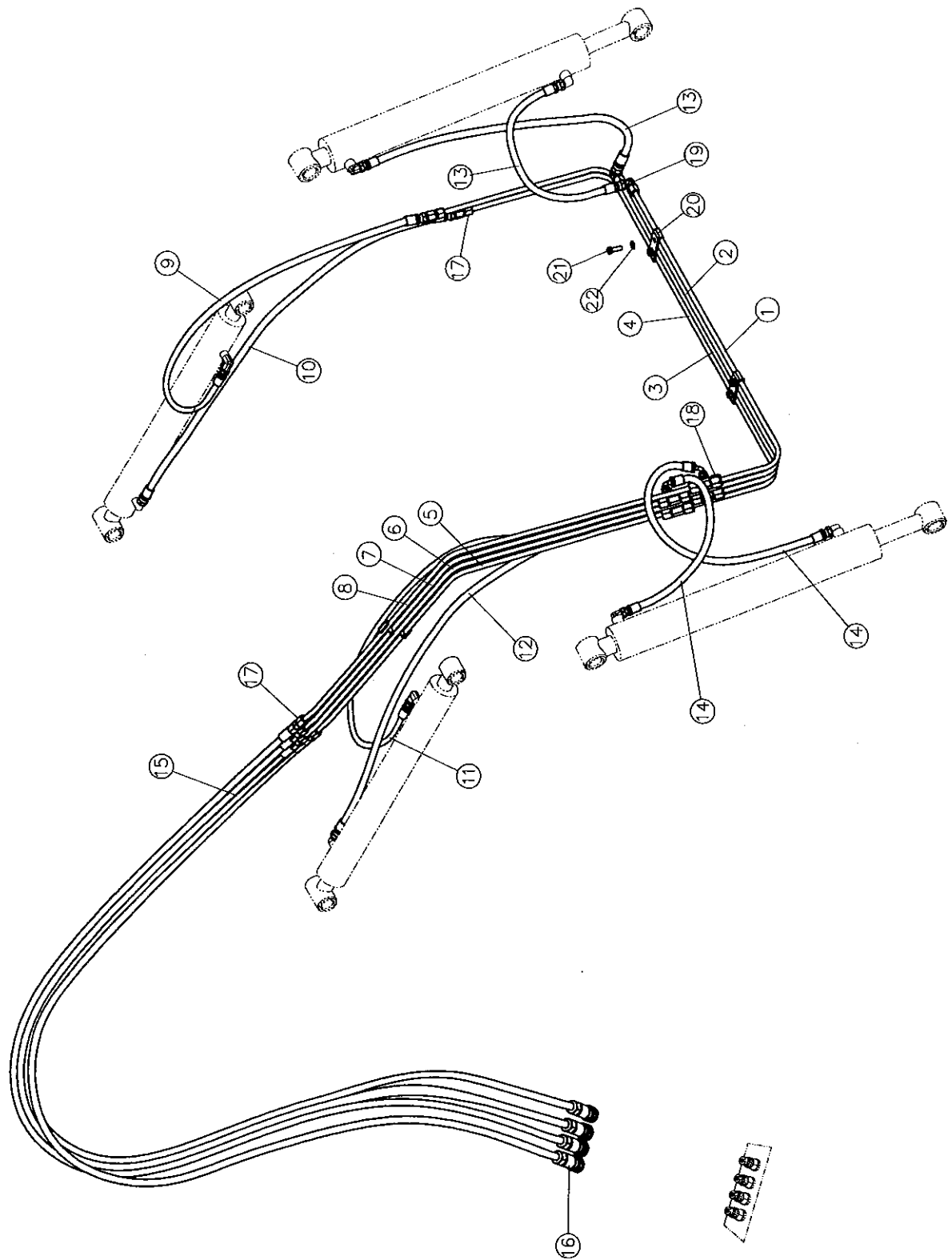
CYLINDER



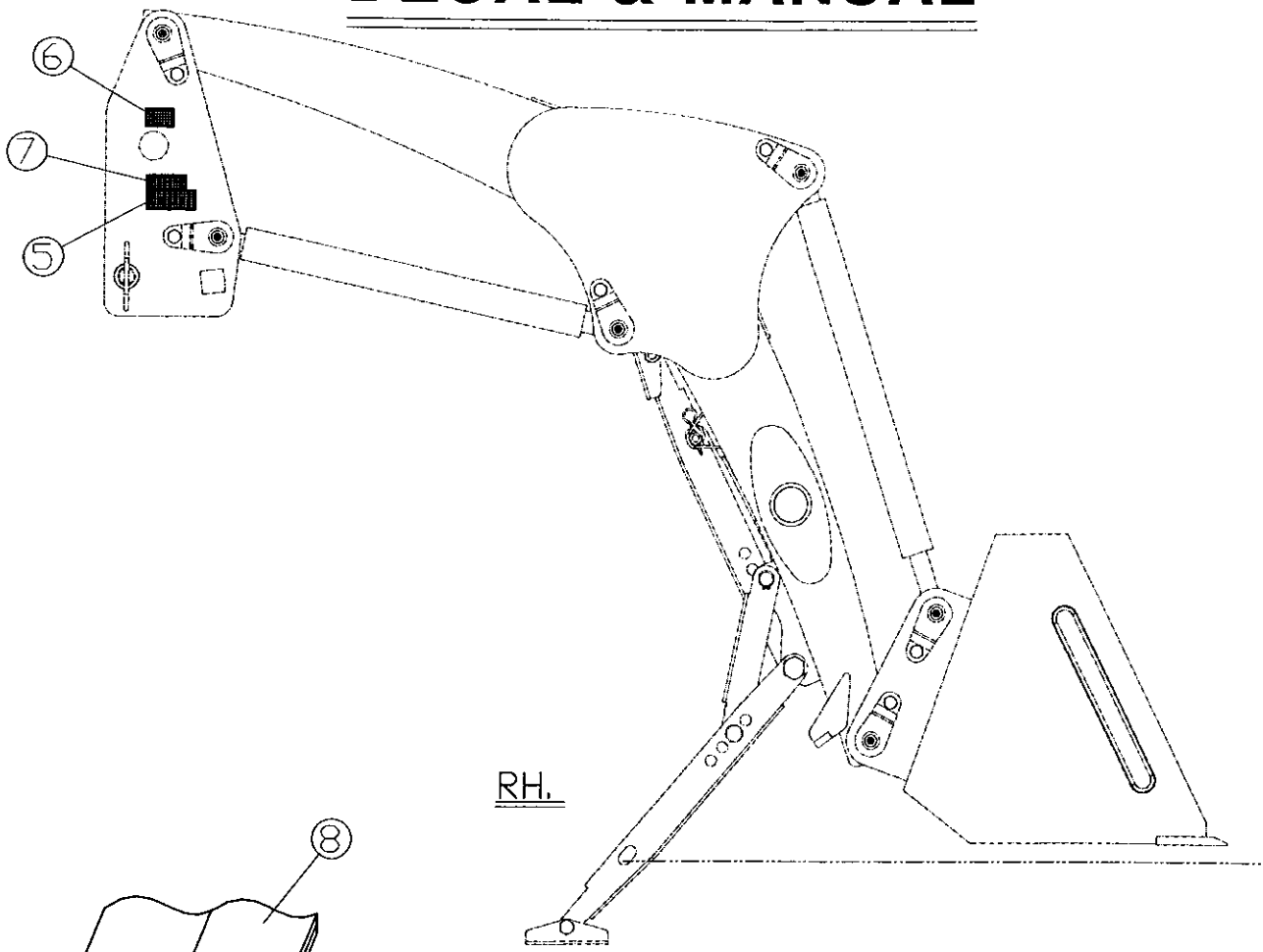
CYLINDER

NO.	PART NAME	PART NUMBER		Q'TY	REMARK
		BUCKET	BOOM		
10	TUBE	C1400B-121A	C1400B-221A	1	
21	ROD	C1400B-111A	C1400B-211A	1	
22	O-RING	1BP20	1BP20	1	
31	COVER ROD	AL20-05-1220	AL20-05-1220	1	
32	O-RING	1BG40	1BG40	1	
33	O-RING	1BP35	1BP35	1	
34	DUST SEAL	LBI 25x33x4.5/6	LBI 25x33x4.5/6	1	
35	O-RING	1BP25	1BP25	1	
36	BACK UP RING	BRT3 25x33x2	BRT3 25x33x2	1	
37	U-PACKING	ISI 25x33x5	ISI 25x33x5	1	
38	DU BUSH	DU2510	DU2510	2	
40	NUT	AL20-05-1150	AL20-05-1150	1	M16x2.0
51	PISTON	AL20-05-1120	AL20-05-1120	1	
52	U-PACKING	ODI 40x30x6	ODI 40x30x6	2	
	SEAL KIT (Include 22,32,33, 34,35,36,37,52)	SEAL 4025	SEAL 4025		

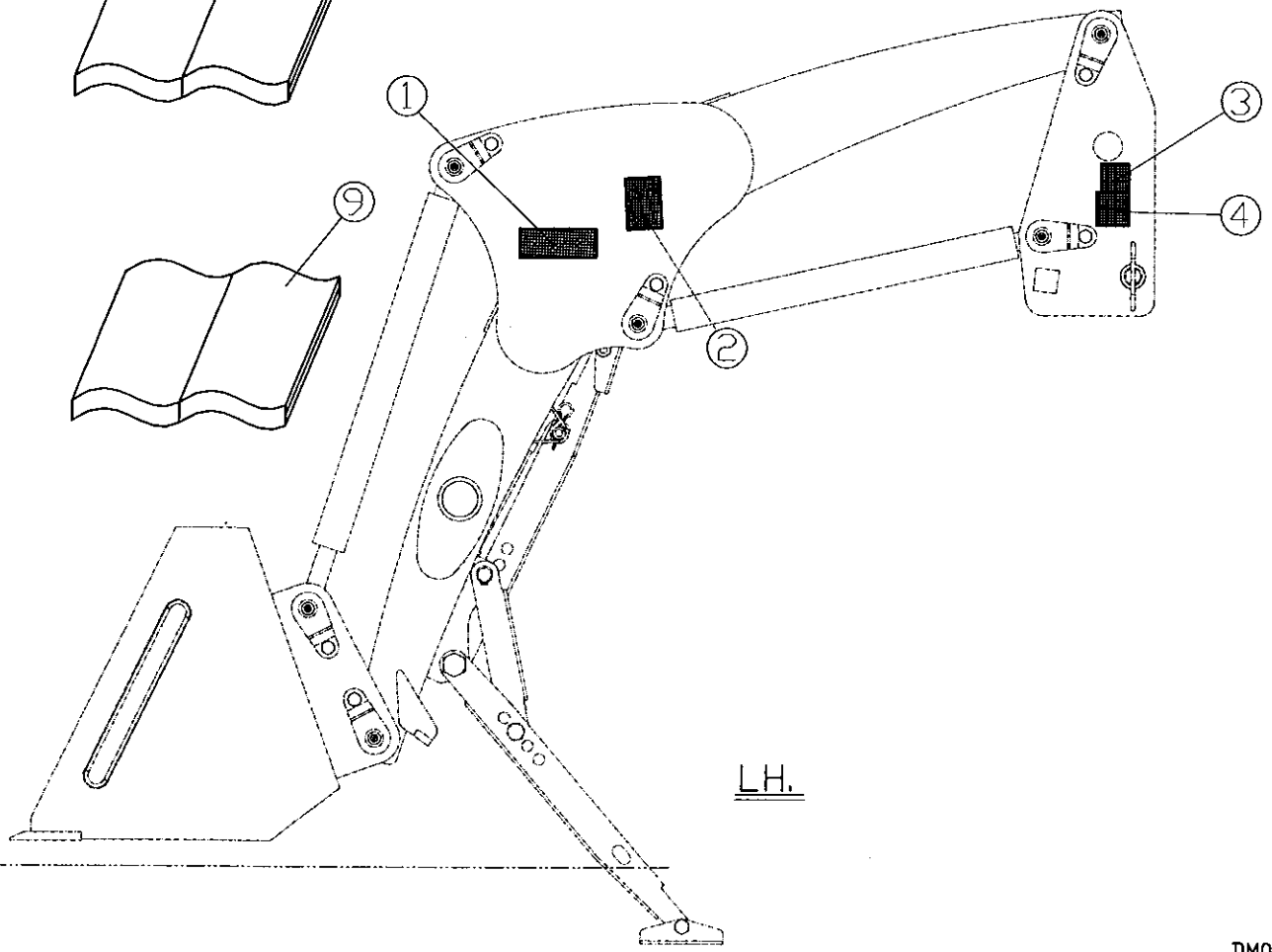
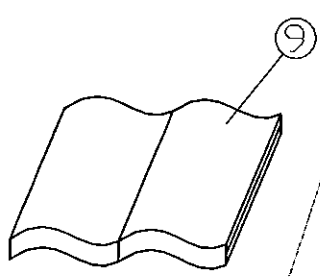
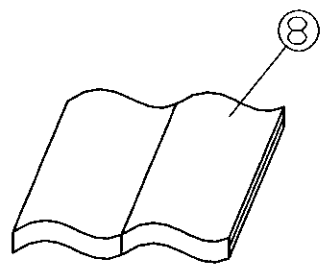
HYDRAULIC PARTS



DECAL & MANUAL



RH.



LH.

