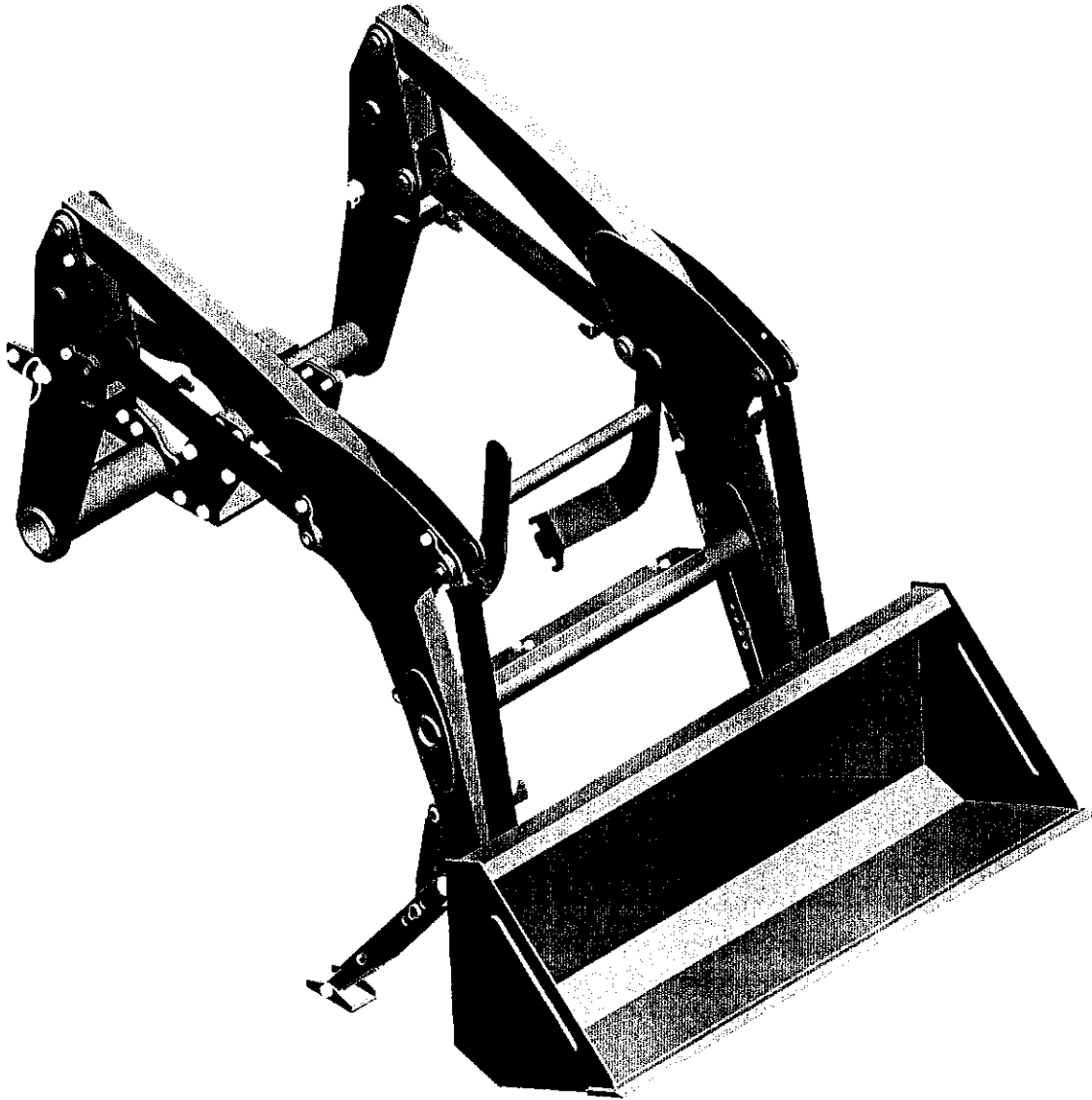


# ***PARTS MANUAL***

**B3605**



**Front-End Loader**

M09008

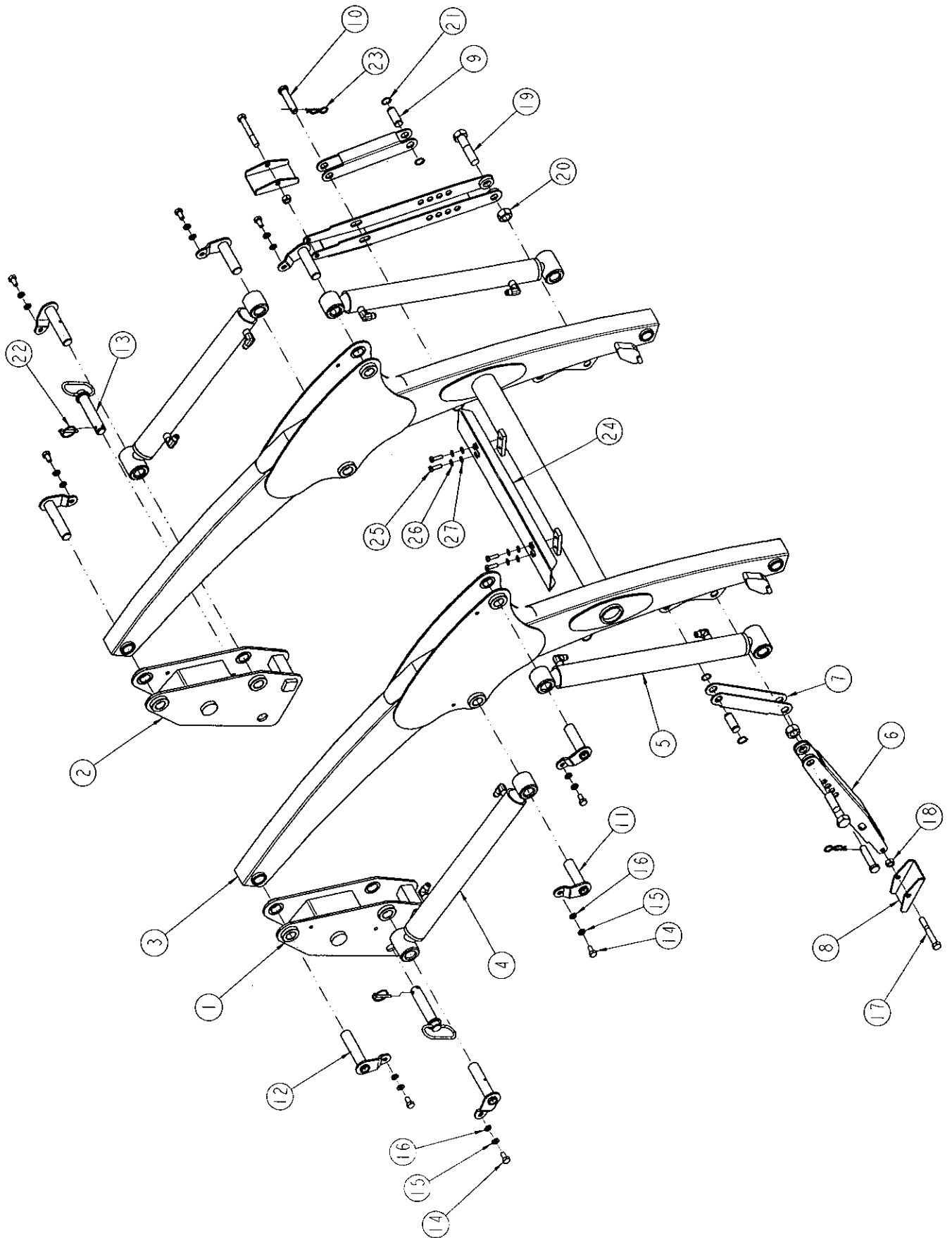
Printed 2009, 10, 19

# Table of Contents

(B3605)

Boom Assembly -----	2
Bucket Assembly -----	4
Mounting Kit Assembly -----	6
Cylinder Assembly -----	8
Hydraulic Parts -----	10
Decal & Manual -----	12

# BOOM ASSEMBLY

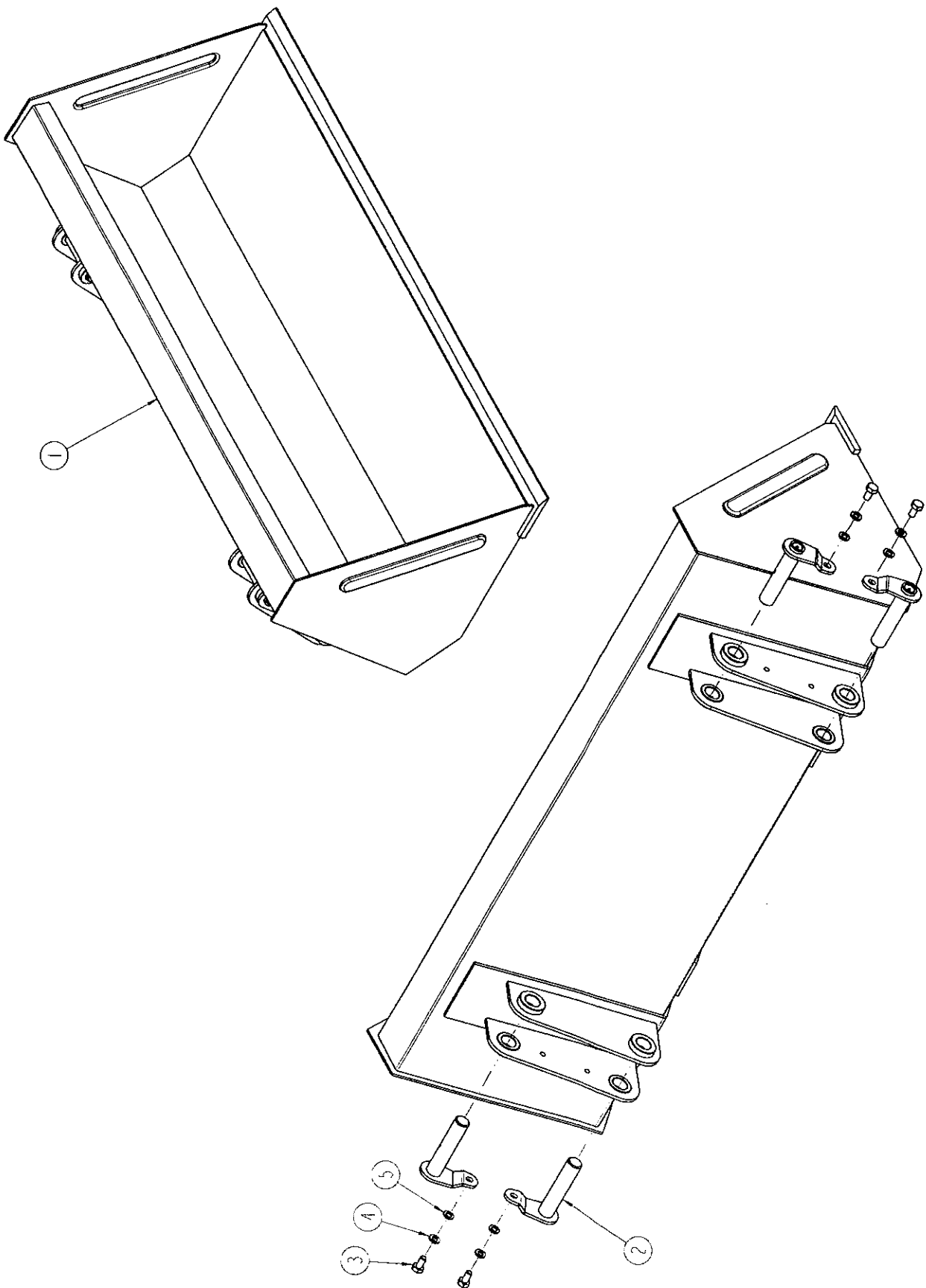


# BOOM ASSEMBLY

(P/N:C1500A)

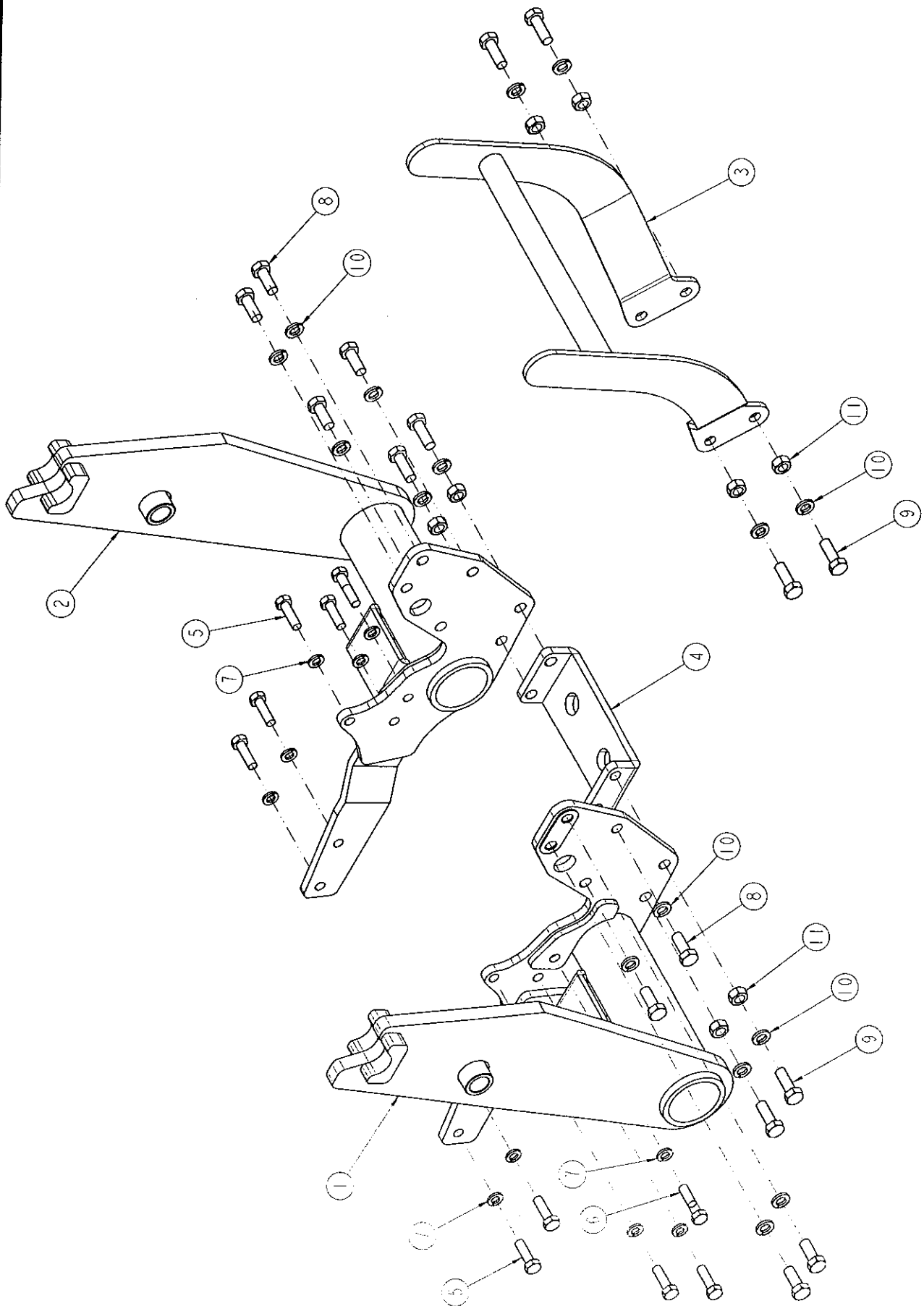
NO.	PART NUMBER	PART NAME	DESCRIPTION	Q'TY	REMARK
1	C1500A-3100	COLUMN, RH.		1	
2	C1500A-3200	COLUMN, LH.		1	
3	C1500A-0000	BOOM ASSY		1	
4	C1500A-8000	BOOM CYLINDER		2	
5	C1500A-9000	BUCKET CYLINDER		2	
6	1400B-8100	STAND		2	
7	1400B-8200	BRACKET	4†	2	
8	4060A-8400	BRACKET	4†	2	
9	4060A-8520	PIN	∅20x48L	2	
10	4060A-8530	PIN	∅16x80L	2	
11	P25A-090A	PIN	∅25	4	
12	P25A-115A	PIN		4	
13	P25C-1030	PIN		2	
14	BH1044150Z	BOLT(10.9T)	M10x20L	8	
15	WS10M	SPRING WASHER	M10	8	
16	WP10M	PLAIN WASHER	M10	8	
17	BH1216175Z	BOLT(10.9T)	M12x90L	2	
18	NL12175Z	LOCK NUT	M12	2	
19	BH20H5250X	BOLT(10.9T)	M20x85L	2	
20	NL20250Z	LOCK NUT	M20	2	
21	SN20M	SNAP RING	∅20	4	
22	AL20-98-9990	LINK PIN		2	
23	PR30045	R-PIN	∅3	2	
24	C1400B-7010	COVER	2.3†	1	
25	BH0855125X	BOLT(10.9T)	M8x25L	4	
26	WP08M	PLAIN WASHER	M8	4	
27	WS08M	SPRING WASHER	M8	4	

# BUCKET ASSEMBLY





# MOUNTING KIT ASSEMBLY



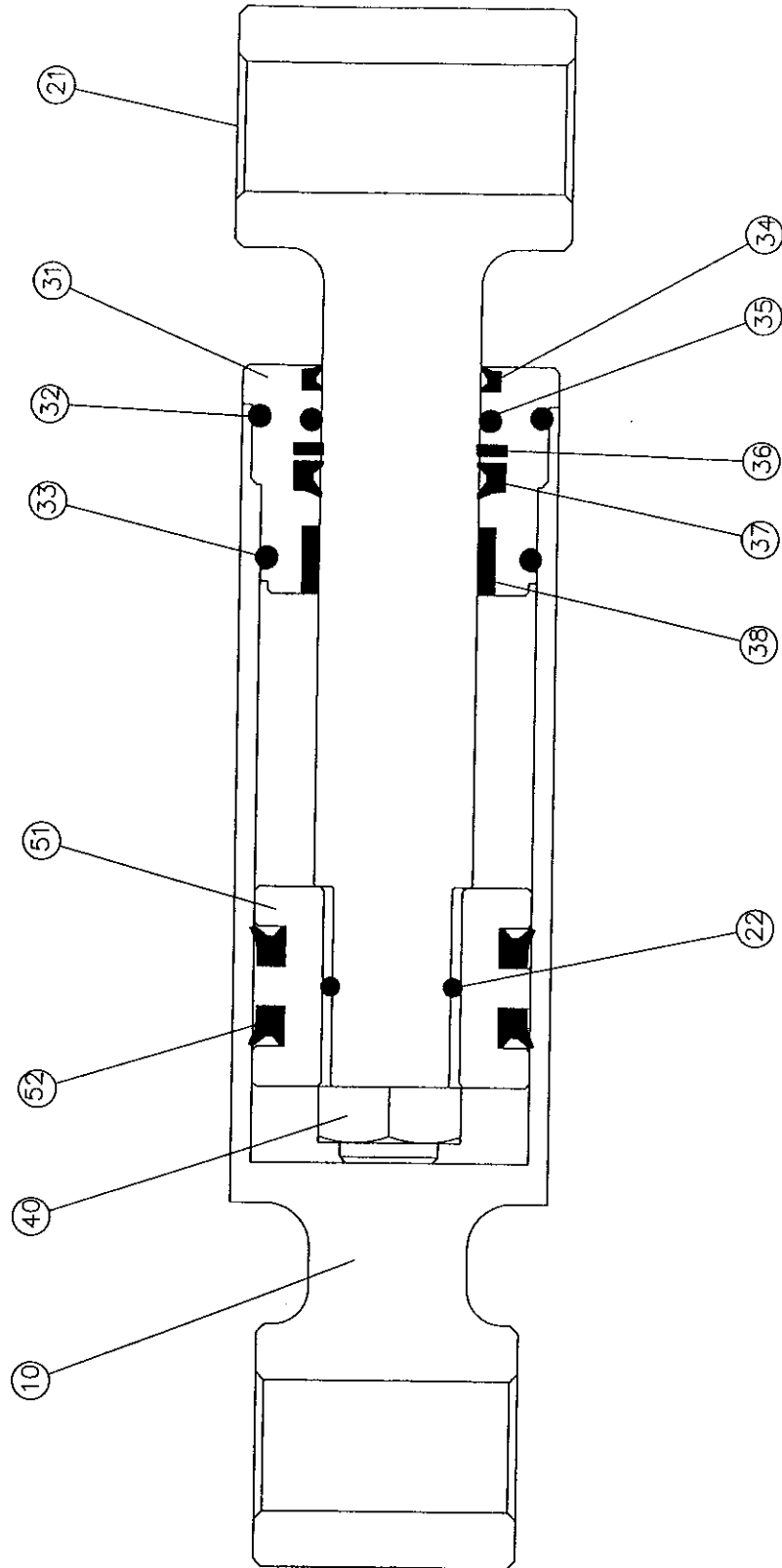
# MOUNTING KIT ASSEMBLY

(P/N:B2920A)

NO.	PART NUMBER	PART NAME	DESCRIPTION	Q'TY	REMARK
1	B2920A-1100	SUB FRAME, RH.		1	
2	B2920A-1200	SUB FRAME, LH.		1	
3	B2920A-4100	BUMPER		1	
4	B2920A-6110	UNDER BAR	12t	1	
5	BH1288175Z	BOLT(10.9T)	M12x40L	8	
6	BH12A6175Z	BOLT(10.9T)	M12x50L	2	
7	WS12M	SPRING WASHER	M12	10	
8	BH1477150Z	BOLT(10.9T)	M14x35Lx1.5P	8	
9	BH1488200Z	BOLT(10.9T)	M14x40L	8	
10	WS14M	SPRING WASHER	M14	16	
11	NH14200Z	NUT	M14	8	



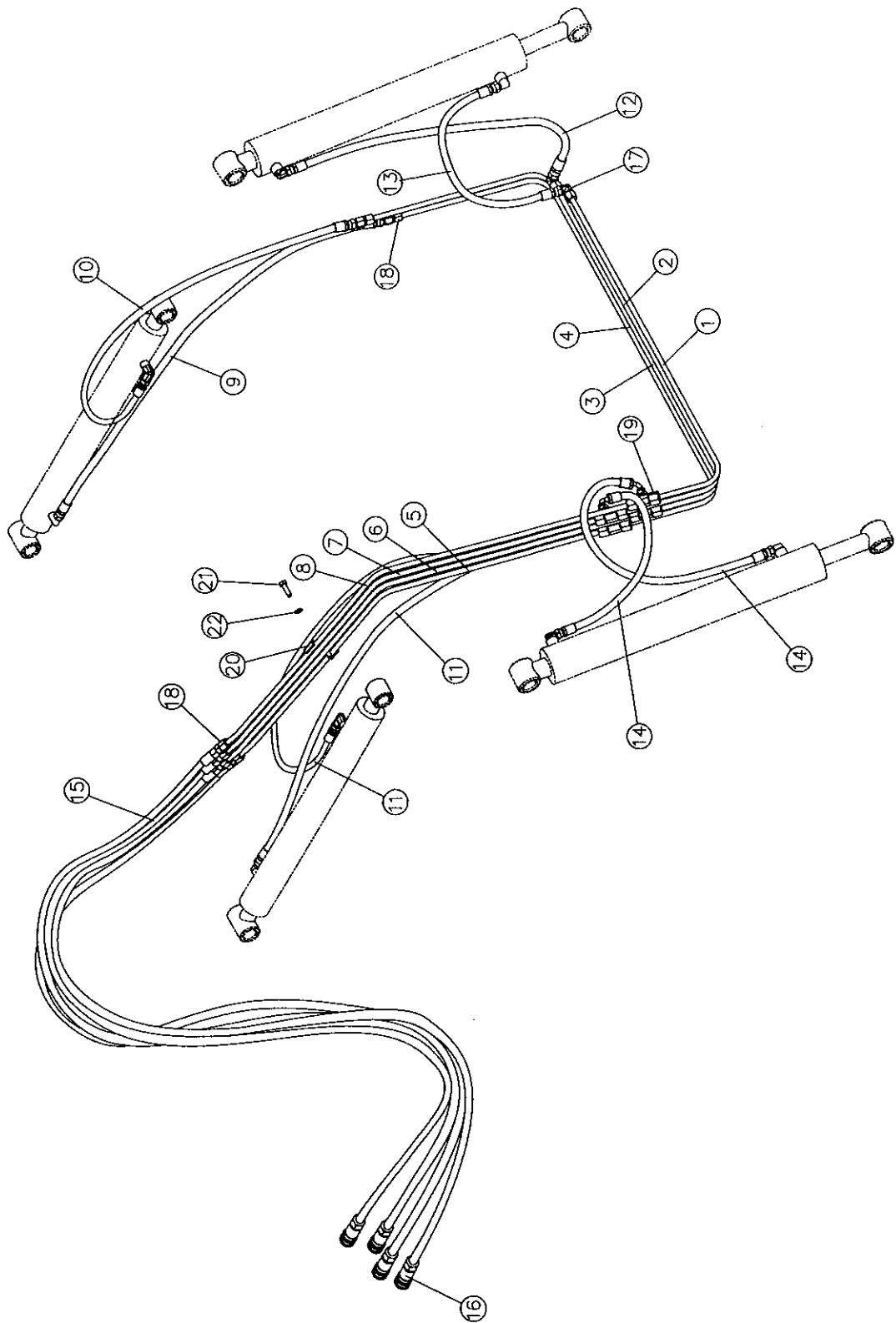
# CYLINDER



# CYLINDER

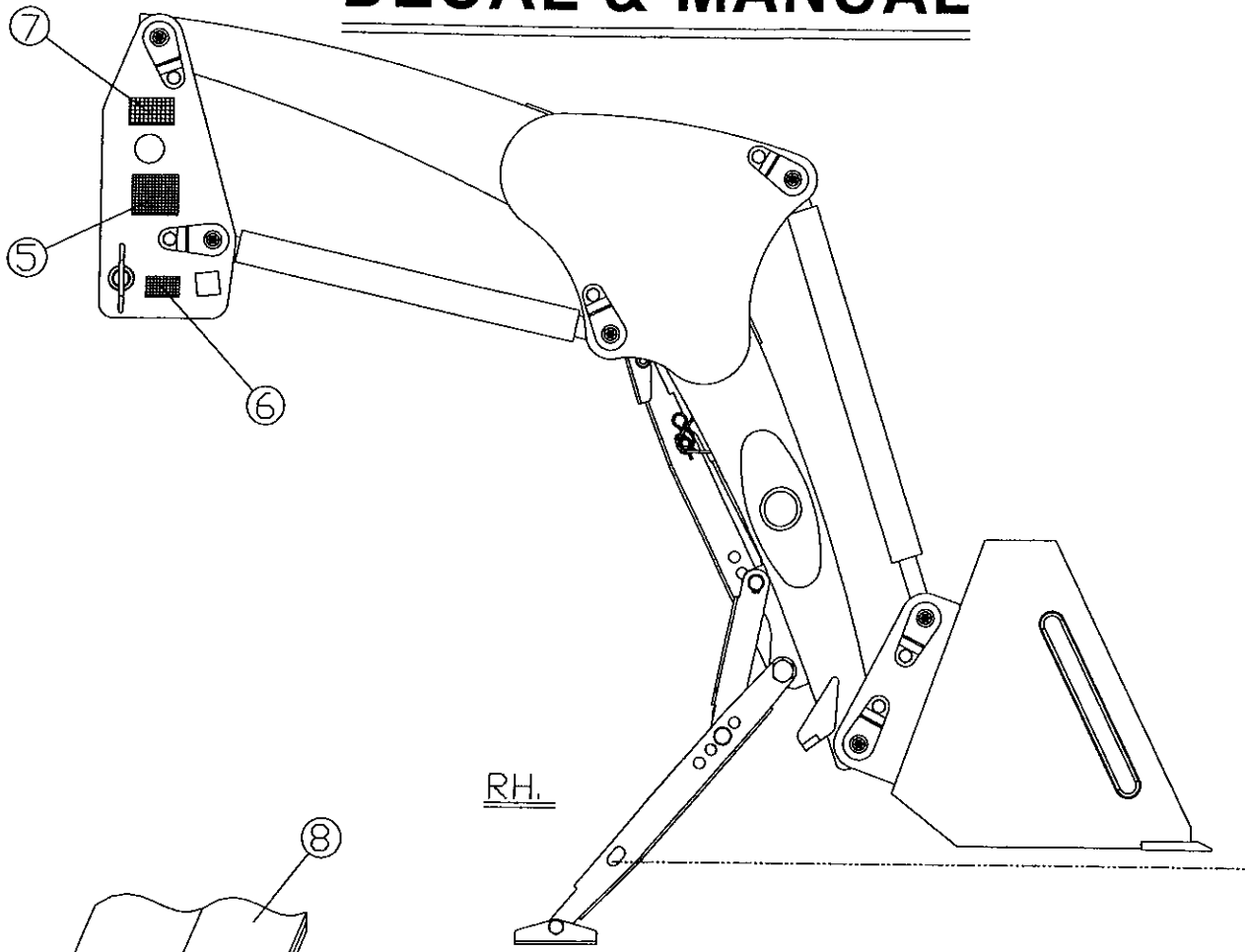
NO.	PART NAME	PART NUMBER		Q'TY	REMARK
		BUCKET	BOOM		
10	TUBE	C1500A-05-1210	C1500A-05-2210	1	
21	ROD	C1500A-05-1110	C1500A-05-2110	1	
22	O-RING	1BP18	1BP18	1	
31	COVER ROD	C1500A-05-2220	C1500A-05-2220	1	
32	O-RING	1BG45	1BG45	1	
33	O-RING	1BP39	1BP39	1	
34	DUST SEAL	LBI 30x38x5/6.5	LBI 30x38x5/6.5	1	
35	O-RING	1BP30	1BP30	1	
36	BACK UP RING	BRT3 30x40x2	BRT3 30x40x2	1	
37	U-PACKING	ISI 30x40x6	ISI 25x33x5	1	
38	DU BUSH	DU3020	DU3020	1	
40	NUT	ALN191-05-2150	ALN191-05-2150	1	M20x2.0
51	PISTON	C1500A-05-1120	C1500A-05-1120	1	
52	U-PACKING	ODI 45x35x6	ODI 45x35x6	2	
	SEAL KIT (Include 22,32,33, 34,35,36,37,38,52)	SEAL 4530	SEAL 4530		

# HYDRAULIC PARTS

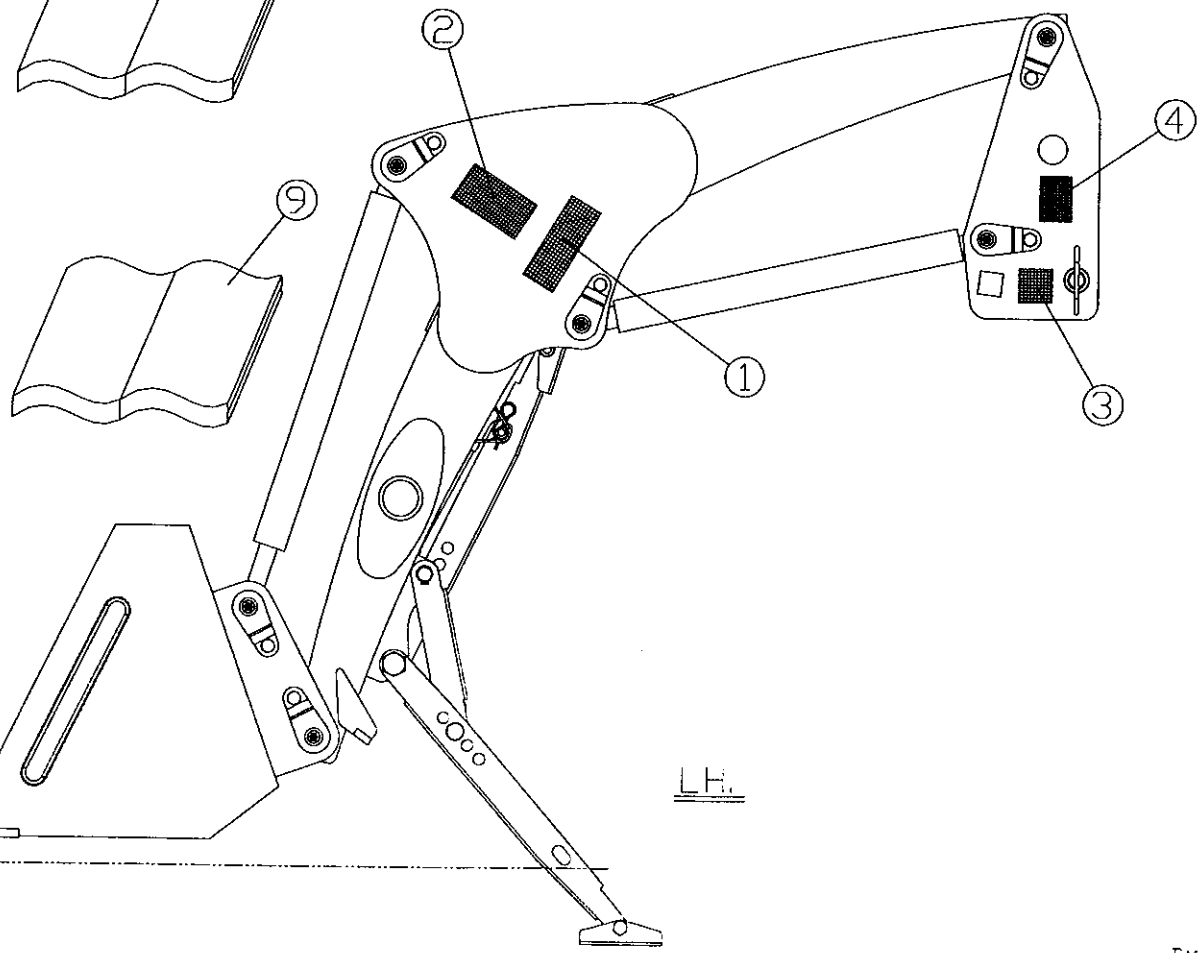
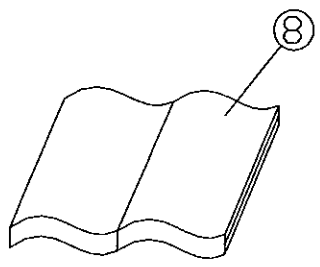




# DECAL & MANUAL



RH.



LH.

