

PARTS MANUAL

2540C



Front-End Loader

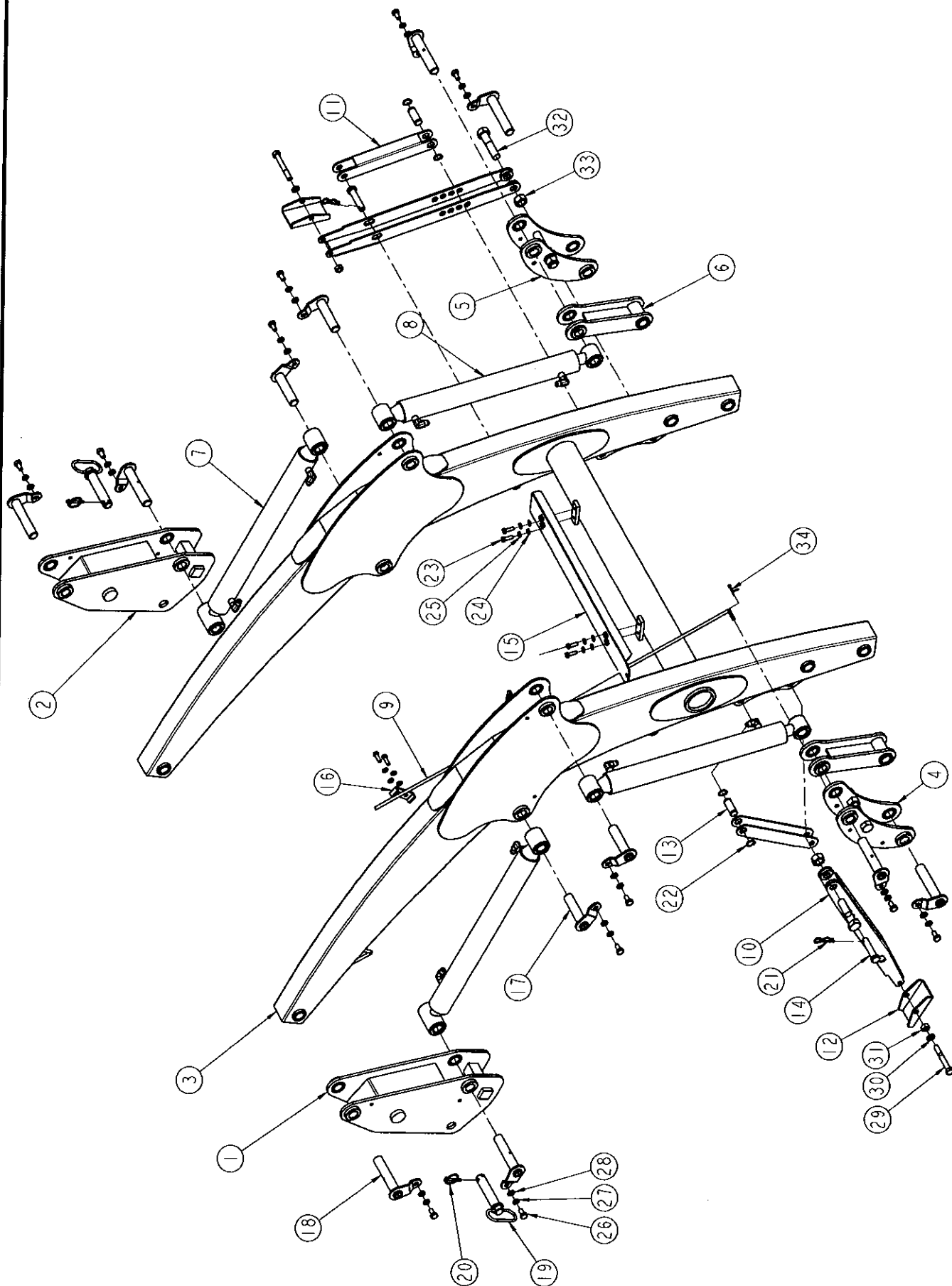
M09007
Printed 2009, 05, 15

Table of Contents

(2540C)

Boom Assembly -----	2
Bucket Assembly -----	4
Mounting Kit Assembly -----	6
Cylinder Assembly -----	8
Hydraulic Parts -----	10
Decal & Manual -----	12

BOOM ASSEMBLY



C1850B

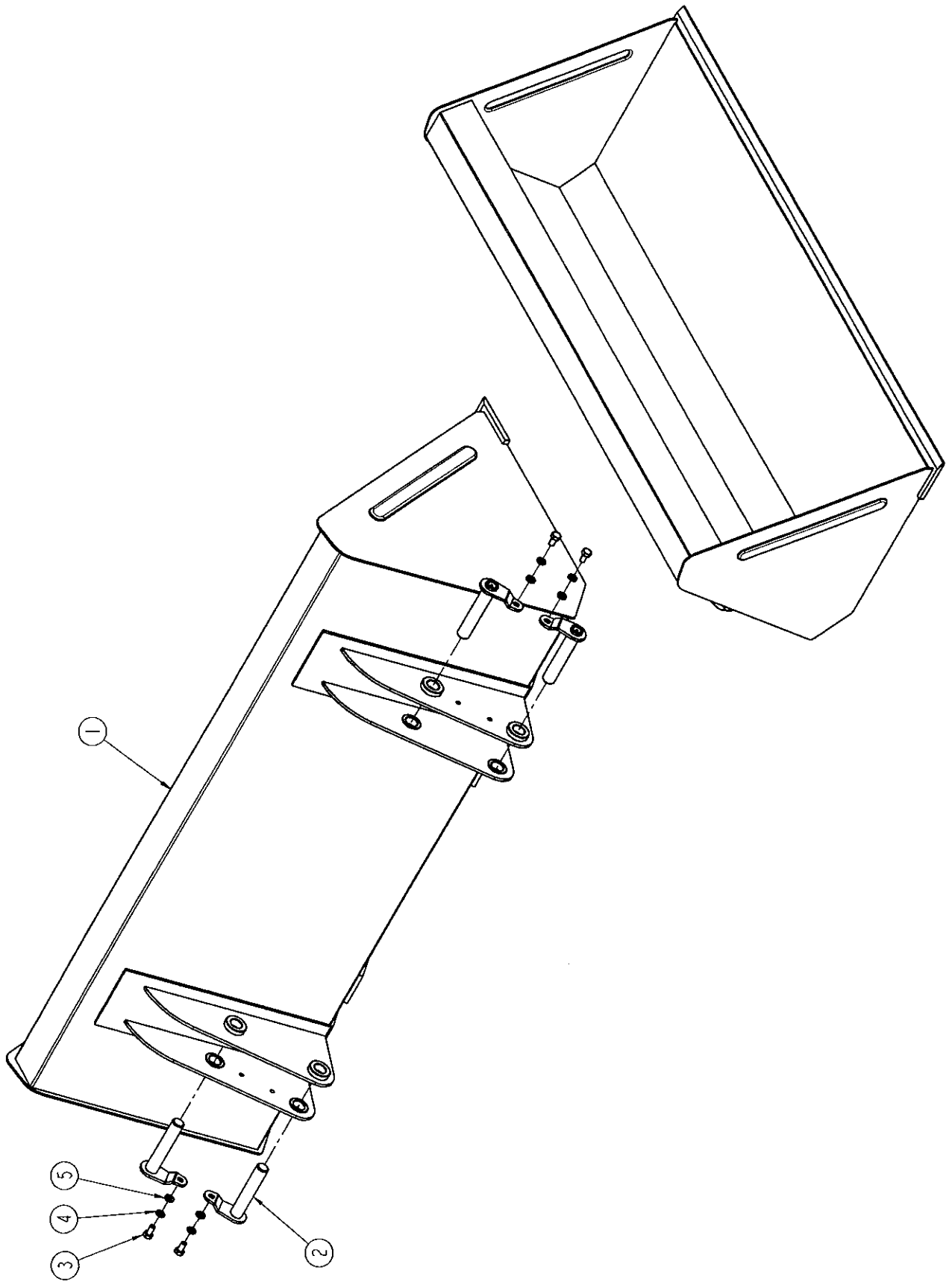
BC013.00-D01

BOOM ASSEMBLY

(P/N:C1850B)

NO.	PART NUMBER	PART NAME	DESCRIPTION	Q'TY	REMARK
1	C1850A-3100	COLUMN, RH.		1	
2	C1850A-3200	COLUMN, LH.		1	
3	C1850A-0000	BOOM ASSY		1	
4	C1850A-6000	LINK BUCKET, RH.		1	
5	C1850A-7000	LINK BUCKET, LH.		1	
6	C1850A-4100	BUCKET ROD		2	
7	C1850A-8000	BOOM CYLINDER		2	
8	C1850A-9000	BUCKET CYLINDER		2	
9	2540A-451A	INDICATOR	∅8	1	
10	3045A-8100	STAND		2	
11	3045A-8200	BRACKET	4†	2	
12	4060A-8400	BRACKET	4†	2	
13	4060A-8520	PIN	∅20x48L	2	
14	4060A-8530	PIN	∅16x80L	2	
15	4060A-7010	COVER	2.3†	1	
16	ALN47-07-3100	COVER		1	
17	P25A-105A	PIN	∅25	4	
18	P25A-130A	PIN		8	
19	P25C-1030	PIN		2	
20	AL20-98-9990	LINK PIN		2	
21	PR30045	R-PIN	∅3	2	
22	SN20M	SNAP RING	∅20	4	
23	BH0855125X	BOLT(10.9T)	M8x25L	6	
24	WP08M	PLAIN WASHER	M8	6	
25	WS08M	SPRING WASHER	M8	6	
26	BH1044150Z	BOLT(10.9T)	M10x20L	12	
27	WP10M	PLAIN WASHER	M10	12	
28	WS10M	SPRING WASHER	M10	12	
29	BH1216175Z	BOLT(10.9T)	M12x90L	2	
30	WP12M	PLAIN WASHER	M12	2	
31	NL12175Z	LOCK NUT	M12	2	
32	BH20H5250X	BOLT(10.9T)	M20x85L	2	
33	NL20250Z	LOCK NUT	M20	2	
34	PD03025	COTTER PIN	∅3x25L	1	

BUCKET ASSEMBLY



BT38G

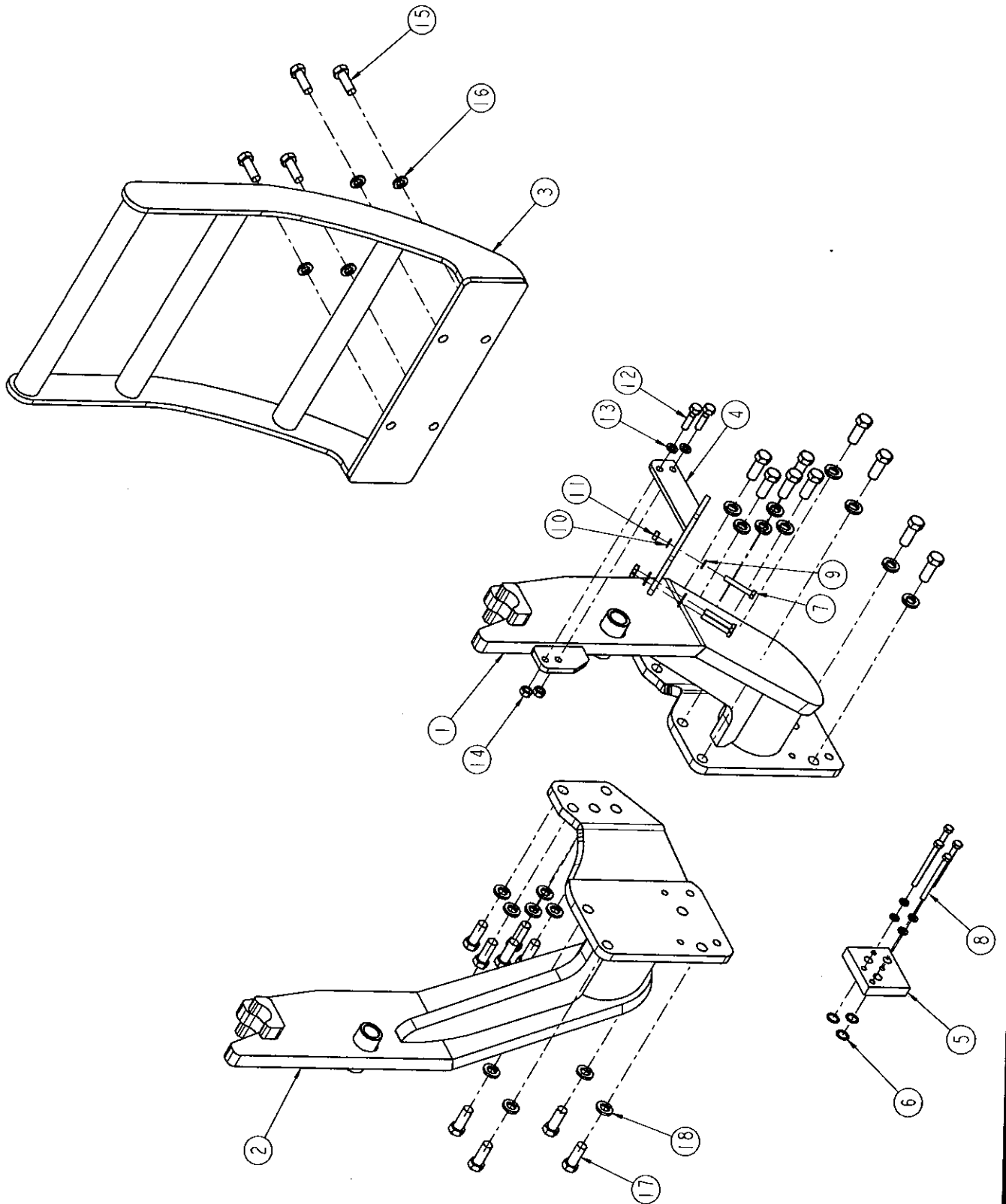
BK019.00-D01

BUCKET ASSEMBLY

(P/N:BT38G)

NO.	PART NUMBER	PART NAME	DESCRIPTION	Q'TY	REMARK
1	AKU30-02-000G	BUCKET	L=1520	1	
2	P25A-130A	PIN		4	
3	BH1044150Z	BOLT(10.9T)	M10x20L	4	
4	WP10M	PLAIN WASHER	M10	4	
5	WS10M	SPRING WASHER	M10	4	

MOUNTING KIT



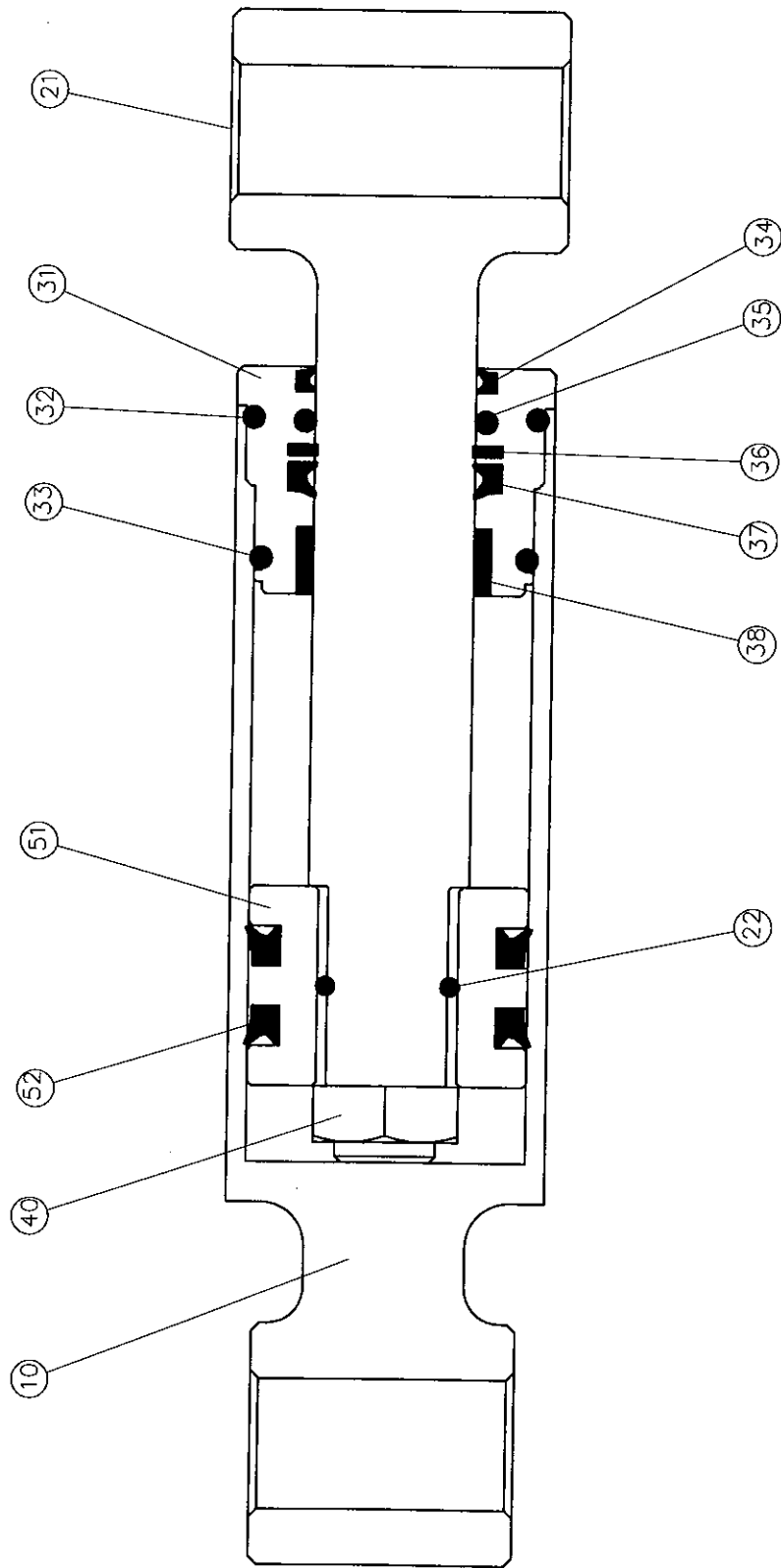
L2800B

L2800B.00-DC1

MOUNTING KIT

NO.	PART NUMBER	PART NAME	DESCRIPTION	Q'TY	REMARK
1	L2800B-1100	SUB FRAME RH.		1	
2	L2800B-1200	SUB FRAME LH.		1	
3	L2800A-4100	BUMPER		1	
4	ALK28-09-810C	BRACKET-C/V		1	
5	L2800A-9900	BLOCK	19t	1	
6	P16	O-RING	Ø16	3	
7	BH08AA125Z	BOLT(10.9T)	M8x50L	3	
8	BH0815125Z	BOLT(10.9T)	M8x90L	4	
9	WP08M	PLAIN WASHER	M8	7	
10	WS08M	SPRING WASHER	M8	3	
11	NH08125Z	NUT	M8	3	
12	BH1086150Z	BOLT(10.9T)	M10x40L	2	
13	WS10M	SPRING WASHER	M10	2	
14	NH10150Z	NUT	M10	2	
15	BH1488150Z	BOLT(10.9T)	M14x40Lx1.5P	4	
16	WS14M	SPRING WASHER	M14	4	
17	BH1688150Z	BOLT(10.9T)	M16x40L	18	
18	WS16M	SPRING WASHER	M16	18	

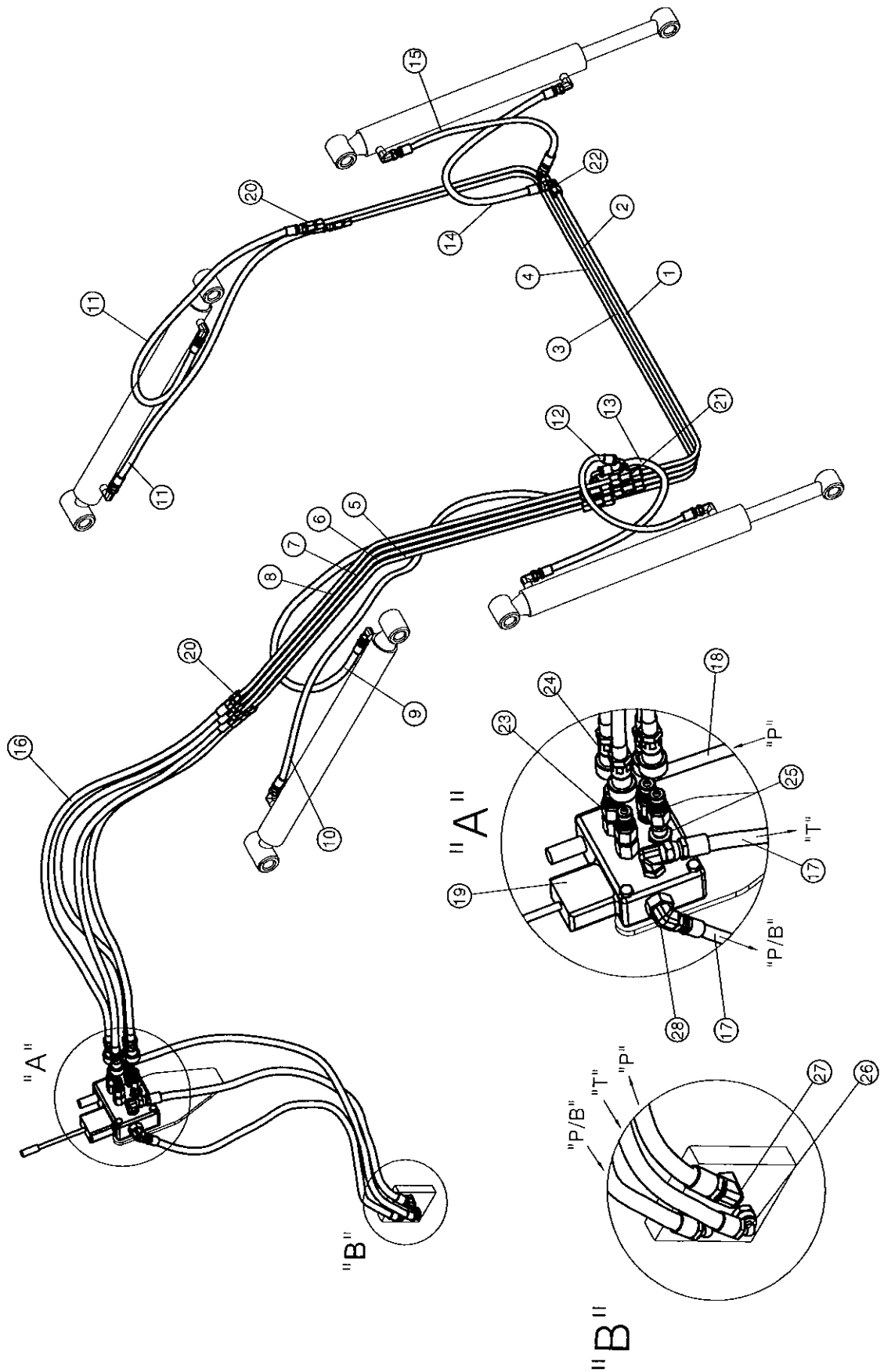
CYLINDER



CYLINDER

NO.	PART NAME	PART NUMBER		Q'TY	REMARK
		BUCKET	BOOM		
10	TUBE	C1850A-1210	C1850A-2210	1	
21	ROD	C1850A-1010	C1850A-2110	1	
22	O-RING	1BP18	1BP18	1	
31	COVER ROD	2540-05-2220	2540-05-2220	1	
32	O-RING	1BG50	1BG50	1	
33	O-RING	1BP44	1BP44	1	
34	DUST SEAL	LBI 30x38x5/6.5	LBI 30x38x5/6.5	1	
35	O-RING	1BP30	1BP30	1	
36	BACK UP RING	BRT3 30x40x2	BRT3 30x40x2	1	
37	U-PACKING	ISI 30x40x6	ISI 30x40x6	1	
38	DU BUSH	DU3020	DU3020	1	
40	NUT	AL191-05-1150	AL191-05-1150	1	M20x2.0
51	PISTON	2540-05-2120	2540-05-2120	1	
52	U-PACKING	ODI 50x35x9	ODI 50x35x9	2	
	SEAL KIT (Include 22,32,33, 34,35,36,37,52)	SEAL 5030	SEAL 5030		

HYDRAULIC PARTS



DECAL & MANUAL

