

# ***PARTS MANUAL***

**4044C-QB**



**Front-End Loader**

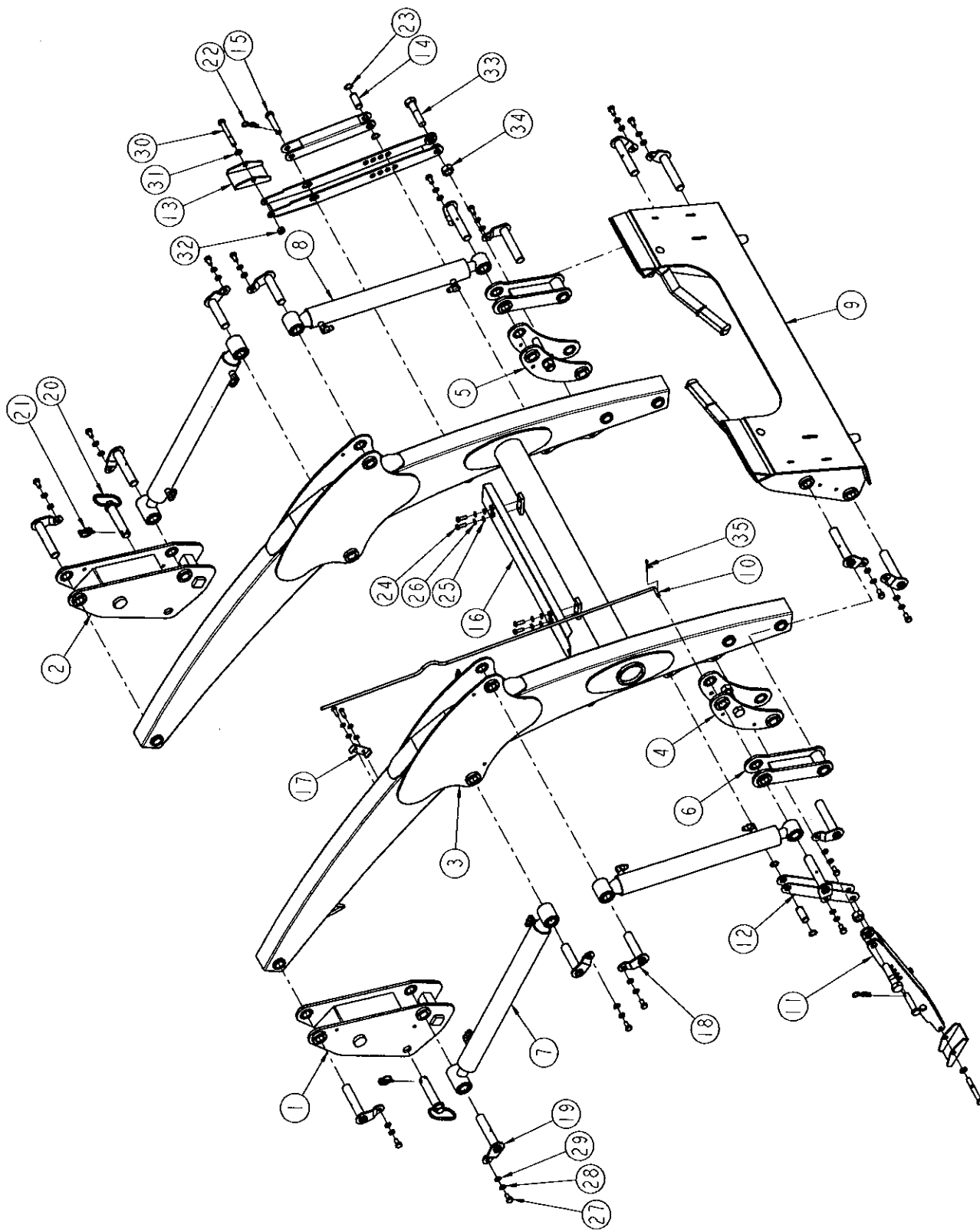
M09010  
Printed 2009, 05, 08

# Table of Contents

## (4044C-QB)

Boom Assembly -----	2
Coupler Assembly -----	4
Bucket Assembly -----	6
Mounting Kit Assembly -----	8
Cylinder Assembly -----	10
Hydraulic Parts -----	12
Decal & Manual -----	14

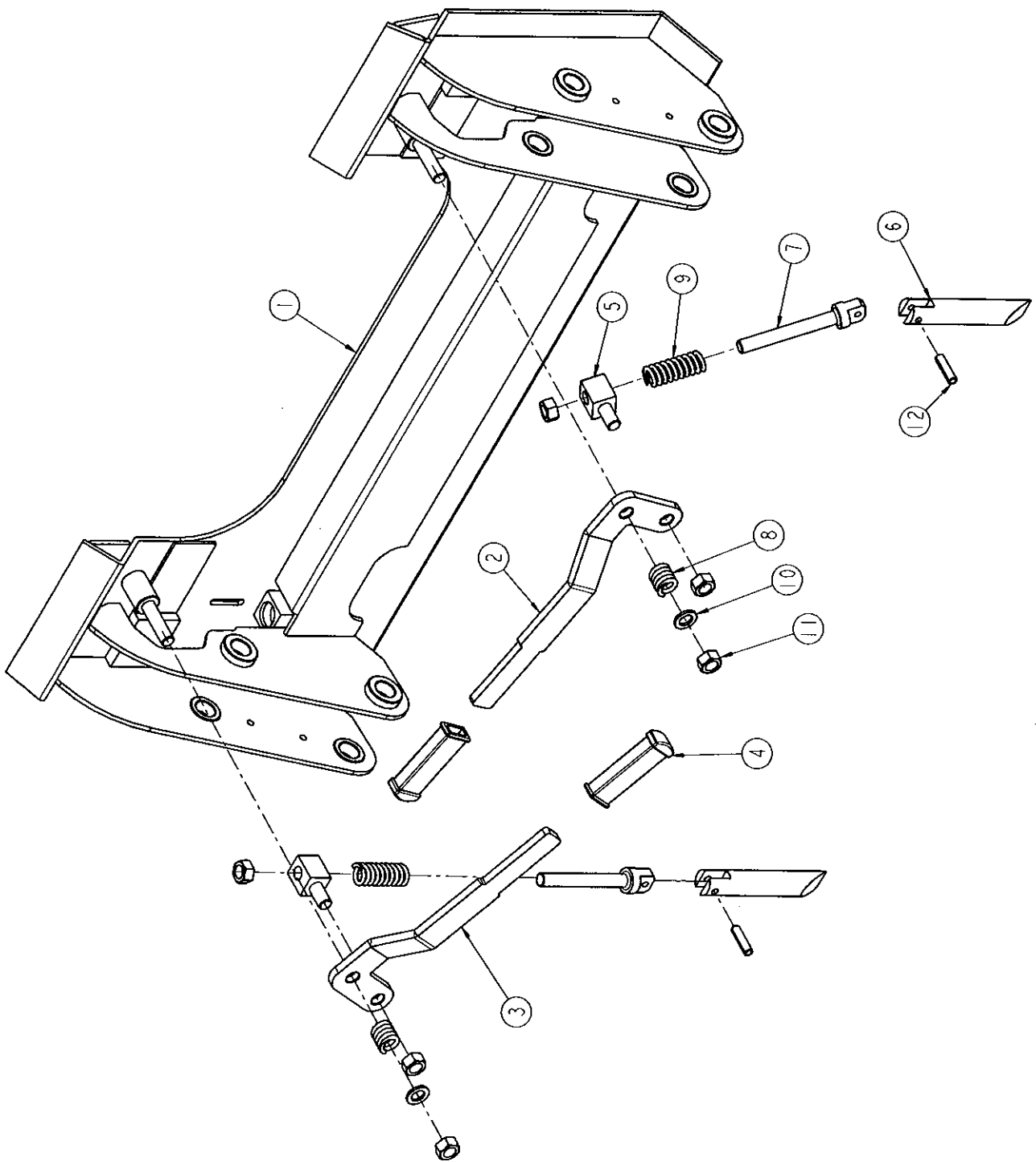
# BOOM ASSEMBLY



# BOOM ASSEMBLY

NO.	PART NUMBER	PART NAME	DESCRIPTION	Q'TY	REMARK
1	C1850A-3100	COLUMN, RH.		1	
2	C1850A-3200	COLUMN, LH.		1	
3	C1850A-0000	BOOM ASSY		1	
4	C1850A-6000	LINK BUCKET, RH.		1	
5	C1850A-7000	LINK BUCKET, LH.		1	
6	C1850A-4100	BUCKET ROD		2	
7	C1850A-800B	BOOM CYLINDER		2	
8	C1850A-9000	BUCKET CYLINDER		2	
9	B0945B-000B	COUPLER B/C		1	
10	2540A-451A	INDICATOR	∅8	1	
11	3045A-8100	STAND		2	
12	3045A-8200	BRACKET	4†	2	
13	4060A-8400	BRACKET	4†	2	
14	4060A-8520	PIN	∅20x48L	2	
15	4060A-8530	PIN	∅16x80L	2	
16	4060A-7010	COVER	2.3†	1	
17	ALN47-07-3100	COVER		1	
18	P25A-105A	PIN	∅25	4	
19	P25A-130A	PIN		12	
20	P25C-1030	PIN		2	
21	AL20-98-9990	LINK PIN		2	
22	PR30045	R-PIN	∅3	2	
23	SN20M	SNAP RING	∅20	4	
24	BH0855125X	BOLT(10.9T)	M8x25L	6	
25	WP08M	PLAIN WASHER	M8	6	
26	WS08M	SPRING WASHER	M8	6	
27	BH1044150Z	BOLT(10.9T)	M10x20L	16	
28	WP10M	PLAIN WASHER	M10	16	
29	WS10M	SPRING WASHER	M10	16	
30	BH1216175Z	BOLT(10.9T)	M12x90L	2	
31	WP12M	PLAIN WASHER	M12	2	
32	NL12175Z	LOCK NUT	M12	2	
33	BH20H5250X	BOLT(10,9T)	M20x85L	2	
34	NL20250Z	LOCK NUT	M20	2	
35	PD03025	COTTER PIN	∅3x25L	1	

# COUPLER ASSEMBLY

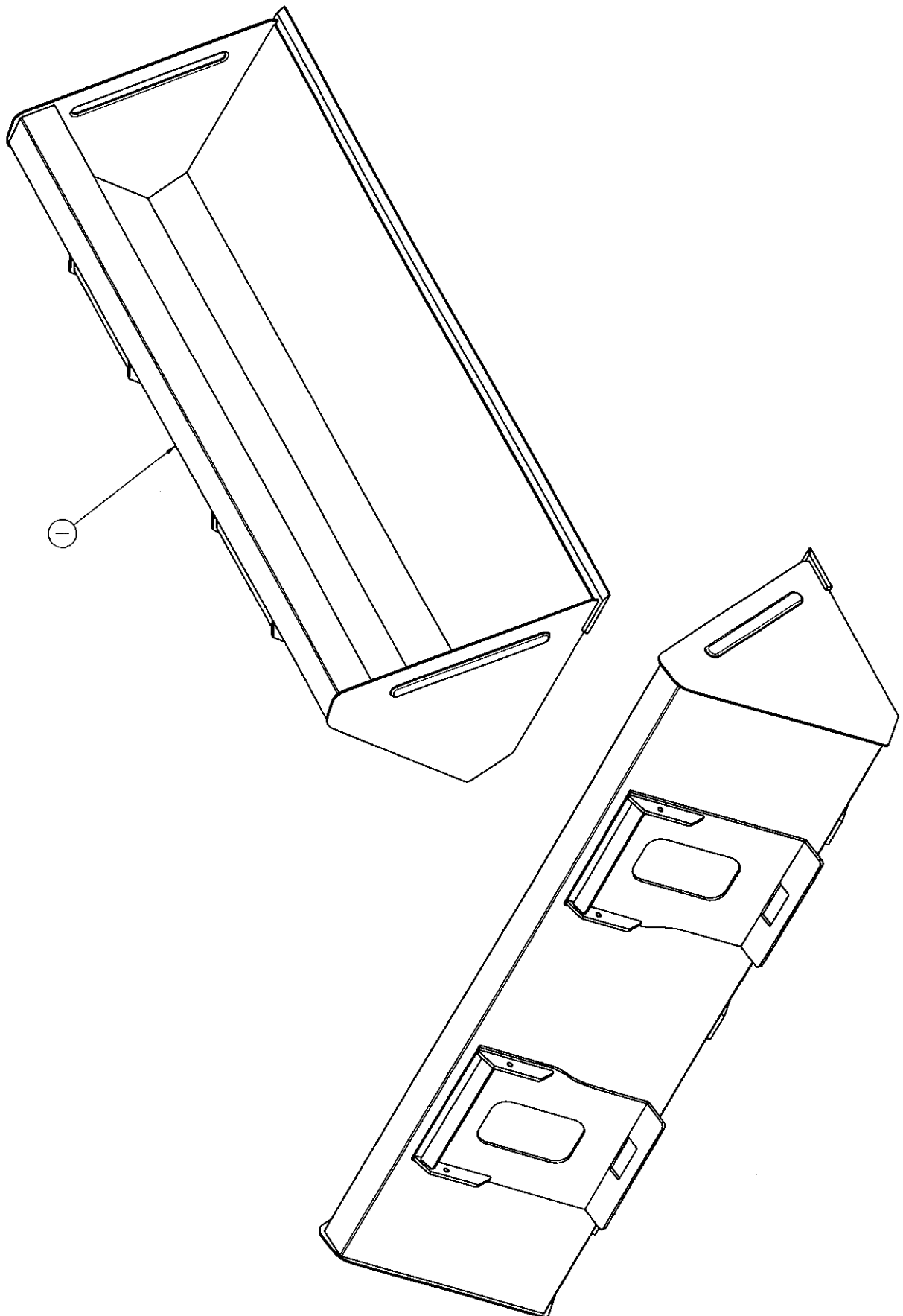


# COUPLER ASSEMBLY

(P/N:B0945B-000B)

NO.	PART NUMBER	PART NAME	DESCRIPTION	Q'TY	REMARK
1	B0945B-200B	COUPLER B/C		1	
2	B0945A-111A	LEVER RH.	10†	1	
3	B0945A-112A	LEVER LH.	10†	1	
4	B0945A-1130	HANDLE		2	
5	B0945A-1210	PIN	30x30	2	
6	B0945A-1220	PIN	∅30	2	
7	B0945A-1230	PIN	∅30	2	
8	B0945A-1310	SPRING	∅5	2	
9	B0945A-1320	SPRING		2	
10	WPI6M	PLAIN WASHER	M16	2	
11	NL16200Z	LOCK NUT	M16	6	
12	PS08040	SPRING PIN	∅8x40L	2	

# BUCKET ASSEMBLY



AKU30-02-000D

BK005.00-D01

# BUCKET ASSEMBLY

(P/N:AKU30-02-000D)

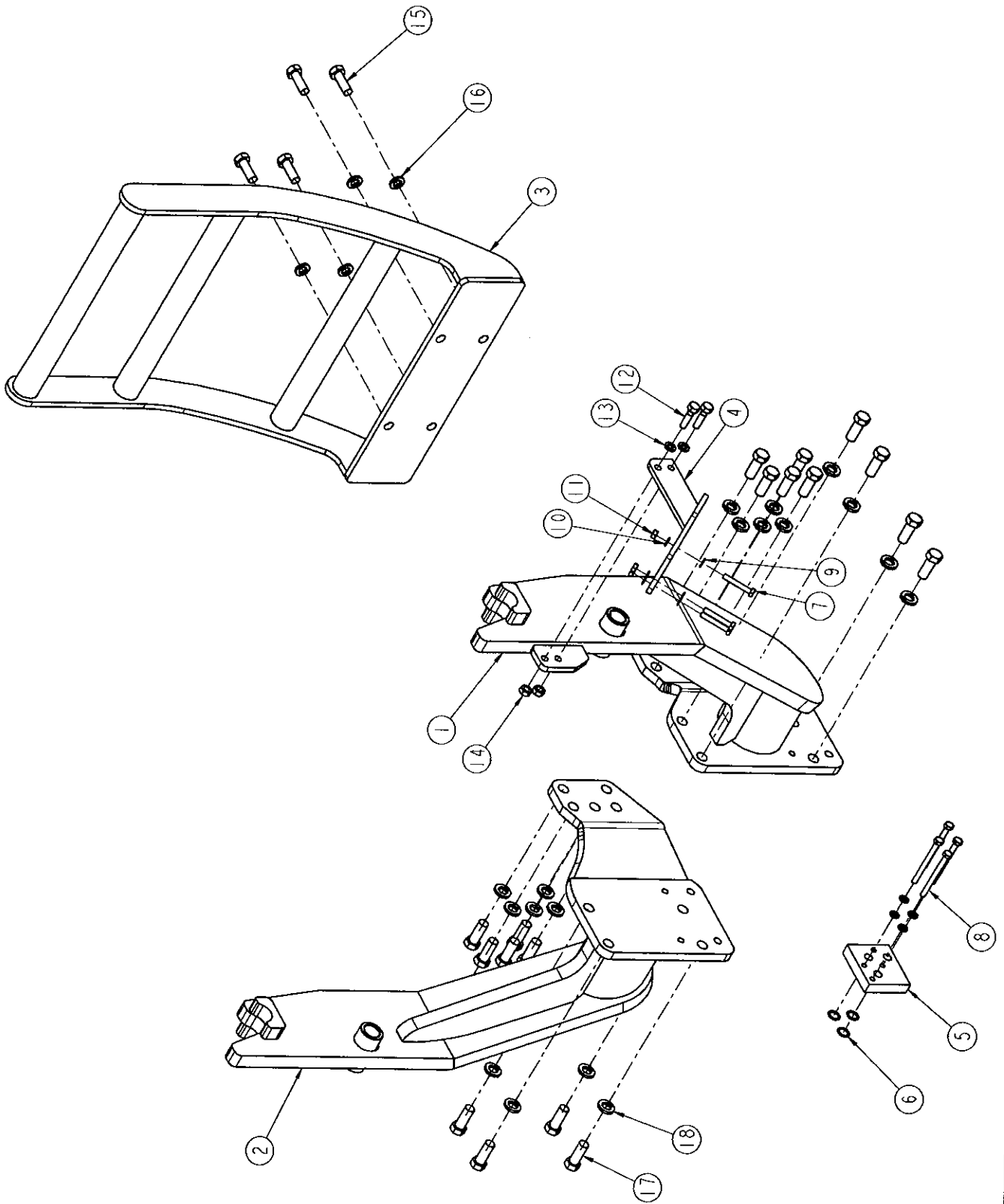
NO.	PART NUMBER	PART NAME	DESCRIPTION	Q'TY	REMARK
1	AKU30-02-000D	BUCKET	L=1830	1	

AKU30-02-000D

BK005.00-T04



# MOUNTING KIT



# MOUNTING KIT

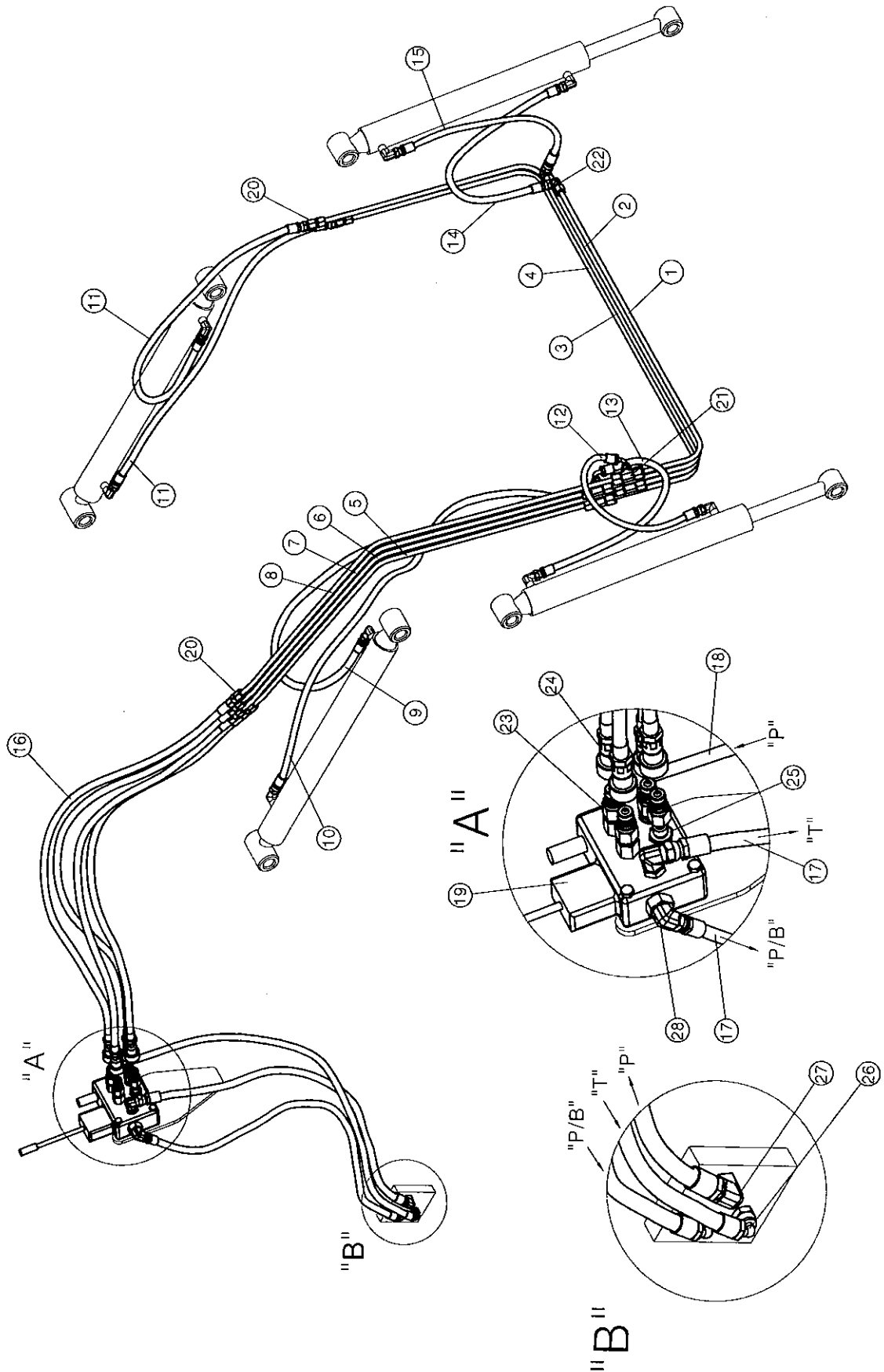
NO.	PART NUMBER	PART NAME	DESCRIPTION	Q'TY	REMARK
1	L2800B-1100	SUB FRAME RH.		1	
2	L2800B-1200	SUB FRAME LH.		1	
3	L2800A-4100	BUMPER		1	
4	ALK28-09-810C	BRACKET-C/V		1	
5	L2800A-9900	BLOCK	19†	1	
6	P16	O-RING	∅16	3	
7	BH08AA125Z	BOLT(10.9T)	M8x50L	3	
8	BH0815125Z	BOLT(10.9T)	M8x90L	4	
9	WP08M	PLAIN WASHER	M8	7	
10	WS08M	SPRING WASHER	M8	3	
11	NH08125Z	NUT	M8	3	
12	BH1086150Z	BOLT(10.9T)	M10x40L	2	
13	WS10M	SPRING WASHER	M10	2	
14	NH10150Z	NUT	M10	2	
15	BH1488150Z	BOLT(10.9T)	M14x40Lx1.5P	4	
16	WS14M	SPRING WASHER	M14	4	
17	BH1688150Z	BOLT(10.9T)	M16x40L	18	
18	WS16M	SPRING WASHER	M16	18	



# CYLINDER

NO.	PART NAME	PART NUMBER		Q'TY	REMARK
		BUCKET	BOOM		
10	TUBE	C1850A-1210	C1850A-2210	1	
21	ROD	C1850A-1010	C1850A-2110	1	
22	O-RING	1BP18	1BP18	1	
31	COVER ROD	2540-05-2220	2540-05-2220	1	
32	O-RING	1BG50	1BG50	1	
33	O-RING	1BP44	1BP44	1	
34	DUST SEAL	LBI 30x38x5/6.5	LBI 30x38x5/6.5	1	
35	O-RING	1BP30	1BP30	1	
36	BACK UP RING	BRT3 30x40x2	BRT3 30x40x2	1	
37	U-PACKING	ISI 30x40x6	ISI 30x40x6	1	
38	DU BUSH	DU3020	DU3020	1	
40	NUT	AL191-05-1150	AL191-05-1150	1	M20x2.0
51	PISTON	2540-05-2120	2540-05-2120	1	
52	U-PACKING	ODI 50x35x9	ODI 50x35x9	2	
	SEAL KIT (Include 22,32,33, 34,35,36,37,52)	SEAL 5030	SEAL 5030		

# HYDRAULIC PARTS





# DECAL & MANUAL

