

PARTS MANUAL

2050-QB

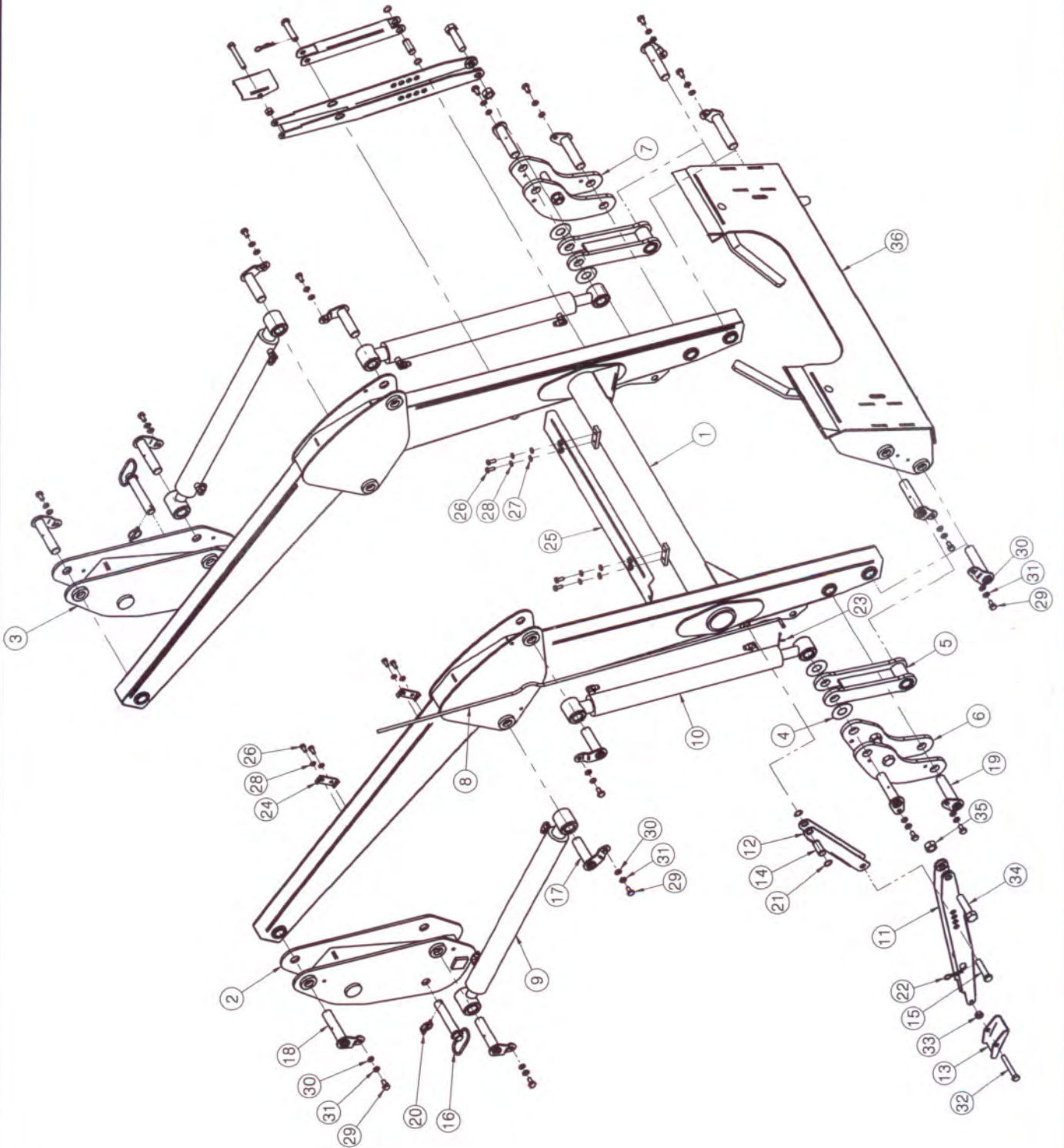


Front-End Loader

M07007

Printed 2007, 08, 20

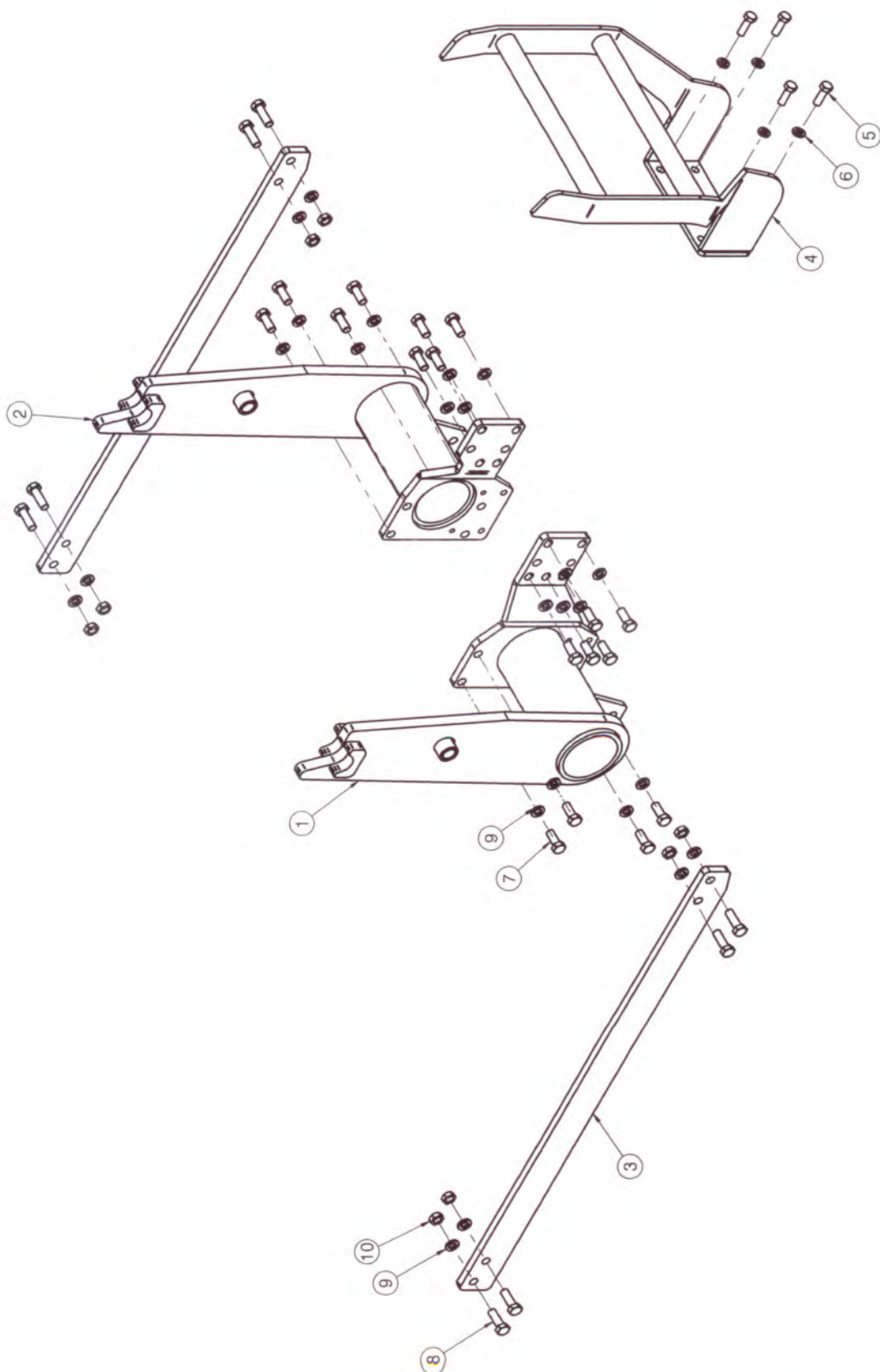
BOOM



BOOM

NO.	Part Number	Part Name	Description	Q'ty	REMARK
1	2050A-0000	BOOM		1	
2	2050A-3100	COLUMN RH.		1	
3	2050A-3200	COLUMN LH.		1	
4	2050A-4010	SHIM	1.6t	4	
5	2050A-4100	ROD BUCKET		2	
6	2050A-4300	BUCKET LINK RH.		1	
7	2050A-4400	BUCKET LINK LH.		1	
8	2050A-4510	INDICATOR	Ø8	1	
9	2050A-8000	CYLINDER-BOOM		2	
10	2050A-9000	CYLINDER-BUCKET		2	
11	4060A-8100	STAND		2	
12	4060A-8200	BRACKET	4t	2	
13	4060A-8400	BRACKET	4t	2	
14	4060A-8520	PIN	Ø20x48L	2	
15	4060A-8530	PIN	Ø25x80L	2	
16	P25C-1230	PIN-LEVER		2	
17	P28A-100A	PIN	Ø28	4	
18	P28A-125A	PIN		8	
19	P28B-115A	PIN		4	
20	AL 20-98-9990	LINK PIN		2	
21	SN20M	SNAP RING	Ø20	4	
22	PR30045	R-PIN	ø3	2	
23	PD03025	SPLIT PIN	ø3x25L	1	
24	ALN 47-07-3100	COVER	4t	2	
25	5570C-7010	COVER	2.3t	1	
26	BH0844125Z	BOLT(10.9)	M8x20L	8	
27	WP08M	PLAIN WASHER	M8	4	
28	WS08M	SPRING WASHER	M8	8	
29	BH1044150Z	BOLT(10.9T)	M10x20L	16	
30	WP10M	PLAIN WASHER	M10	16	
31	WS10M	SPRING WASHER	M10	16	
32	BH12I6175Z	BOLT(10.9T)	M12x90L	2	
33	NL12175Z	LOCK NUT	M12	2	
34	BH20GA250Z	BOLT(10.9T)	M20x80L	2	
35	NL20250Z	LOCK NUT	M20	2	
36	B1000D-0000	COUPLER B/C		1	

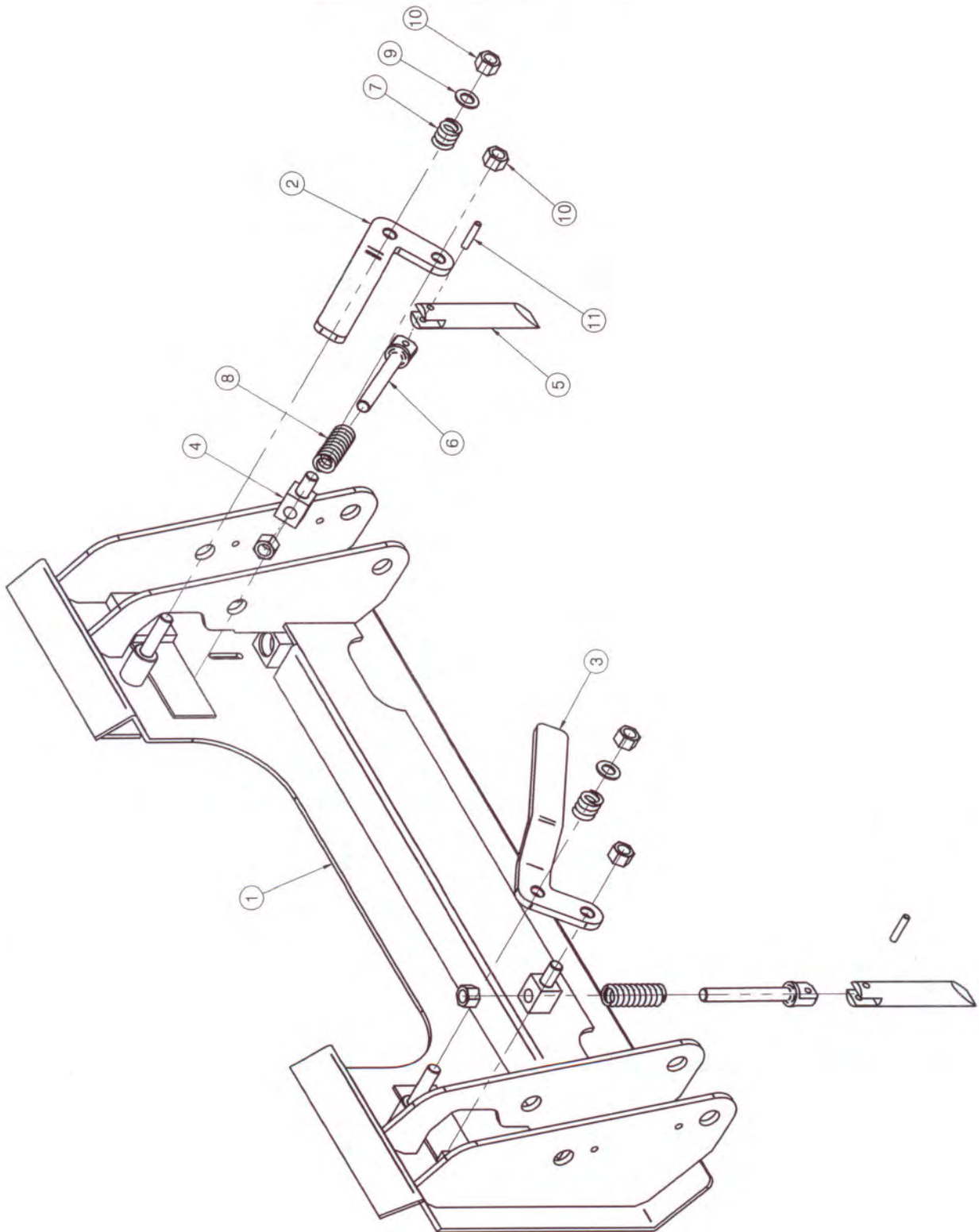
MOUNTING KIT



MOUNTING KIT

NO.	Part Number	Part Name	Description	Q'ty	REMARK
1	L3940A-1100	SUB FRAME RH.		1	
2	L3940A-1200	SUB FRAME LH.		1	
3	L3940A-3100	BACK AXLE	16t	2	
4	L3240A-4100	BUMPER		1	
5	BH1497150Z	BOLT(10.9T)	M14x45Lx1.5P	4	
6	WS14M	SPRING WASHER	M14	4	
7	BH1688150Z	BOLT(10.9T)	M16x40Lx1.5P	17	
8	BH16A6200Z	BOLT(10.9T)	M16x50L	8	
9	WS16M	SPRING WASHER	M16	25	
10	NH16200Z	NUT	M16	8	

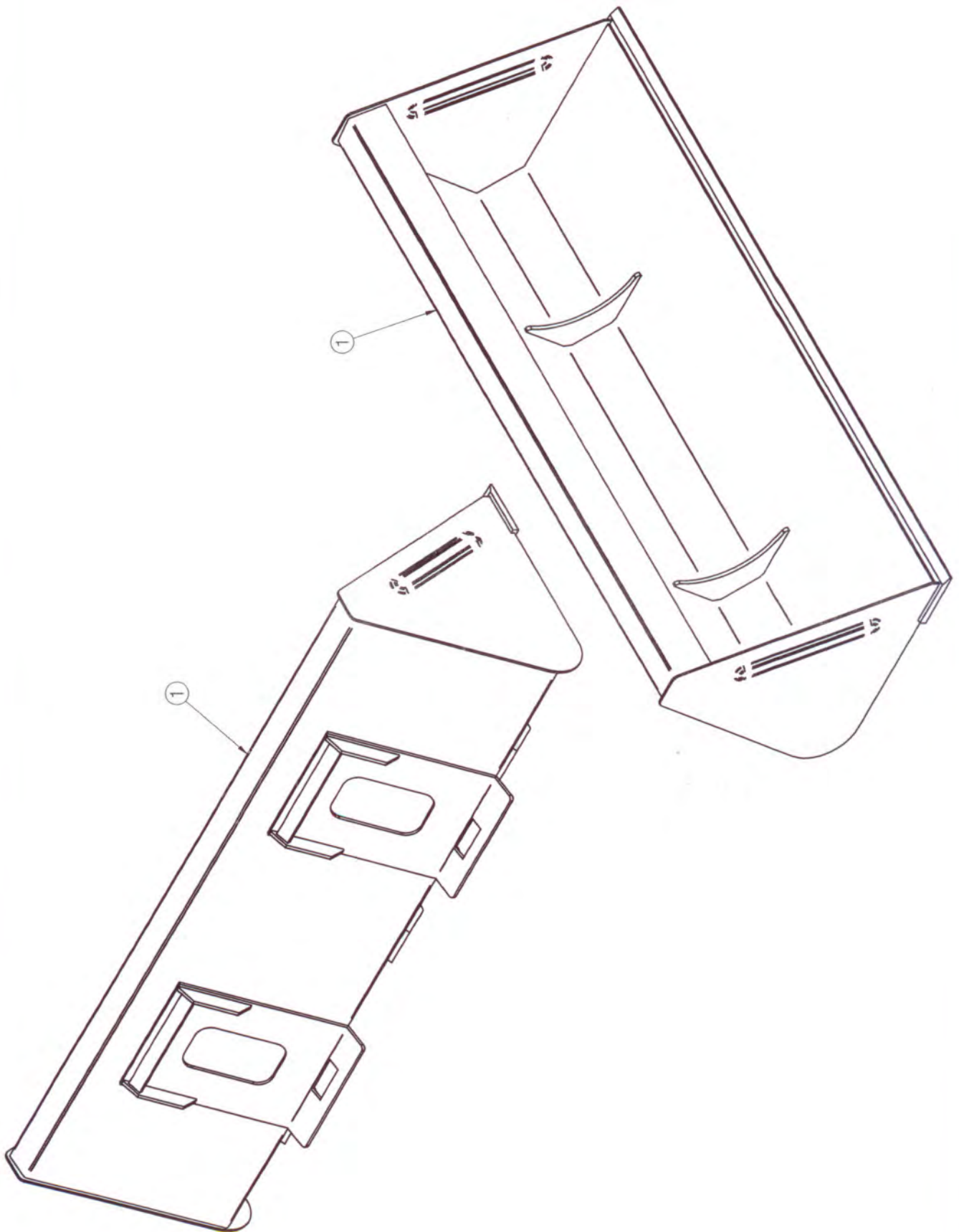
COUPLER



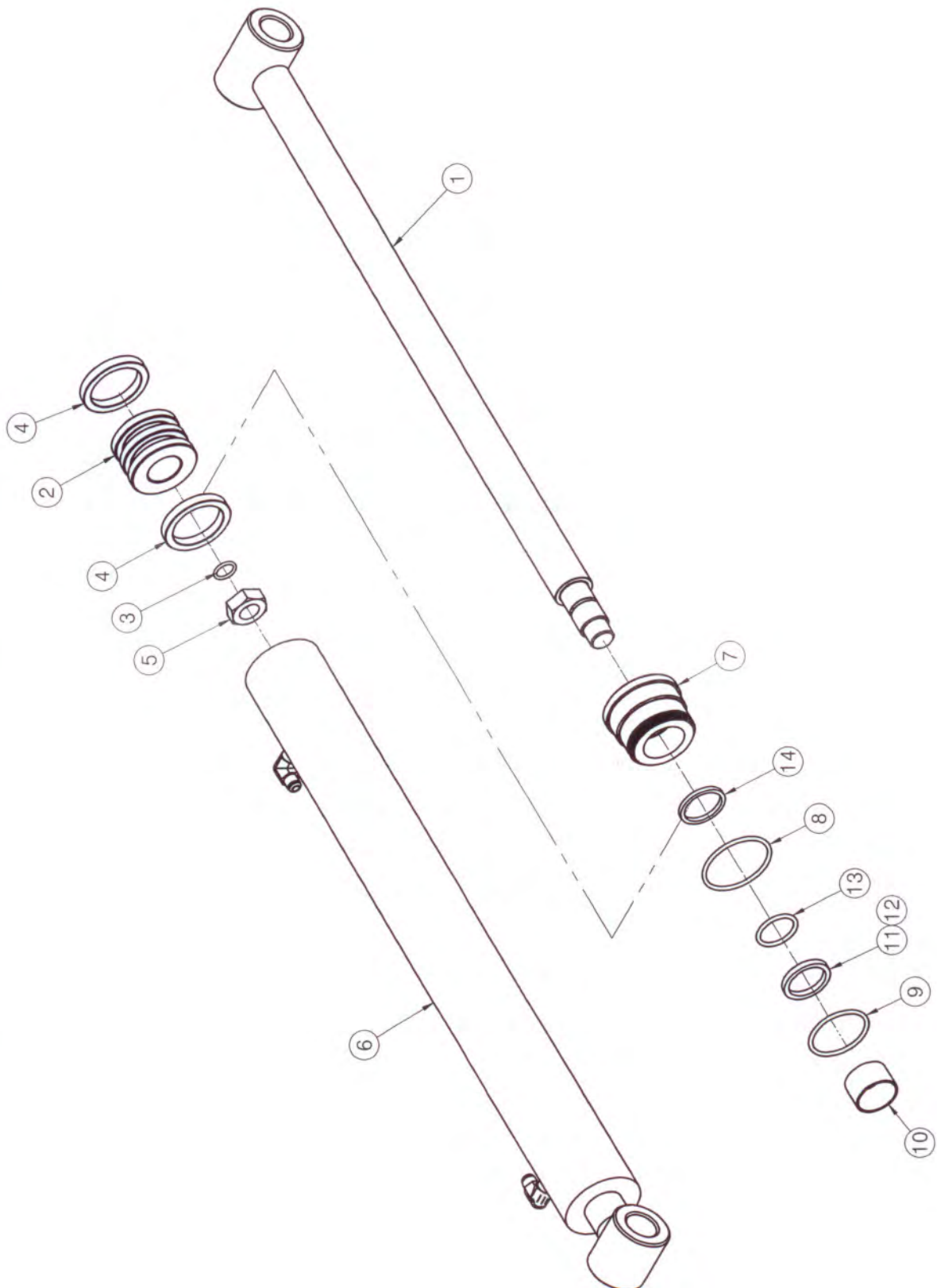
COUPLER

NO.	Part Number	Part Name	Description	Q'ty	REMARK
1	B1000D-2000	COUPLER B/C		1	
2	B0945A-1110	LEVER RH.	10t	1	
3	B0945A-1120	LEVER LH.	10t	1	
4	B0945A-1210	PIN	30x30	2	
5	B0945A-1220	PIN	Ø30	2	
6	B0945A-1230	PIN	Ø30	2	
7	B0945A-1310	SPRING	Ø5	2	
8	B0945A-1320	SPRING	Ø4.5	2	
9	WP16M	PLAIN WASHER	M16	2	
10	NL16200Z	LOCK NUT	M16	6	
11	PS08040	SPRING PIN	Ø8x40L	2	

BUCKET



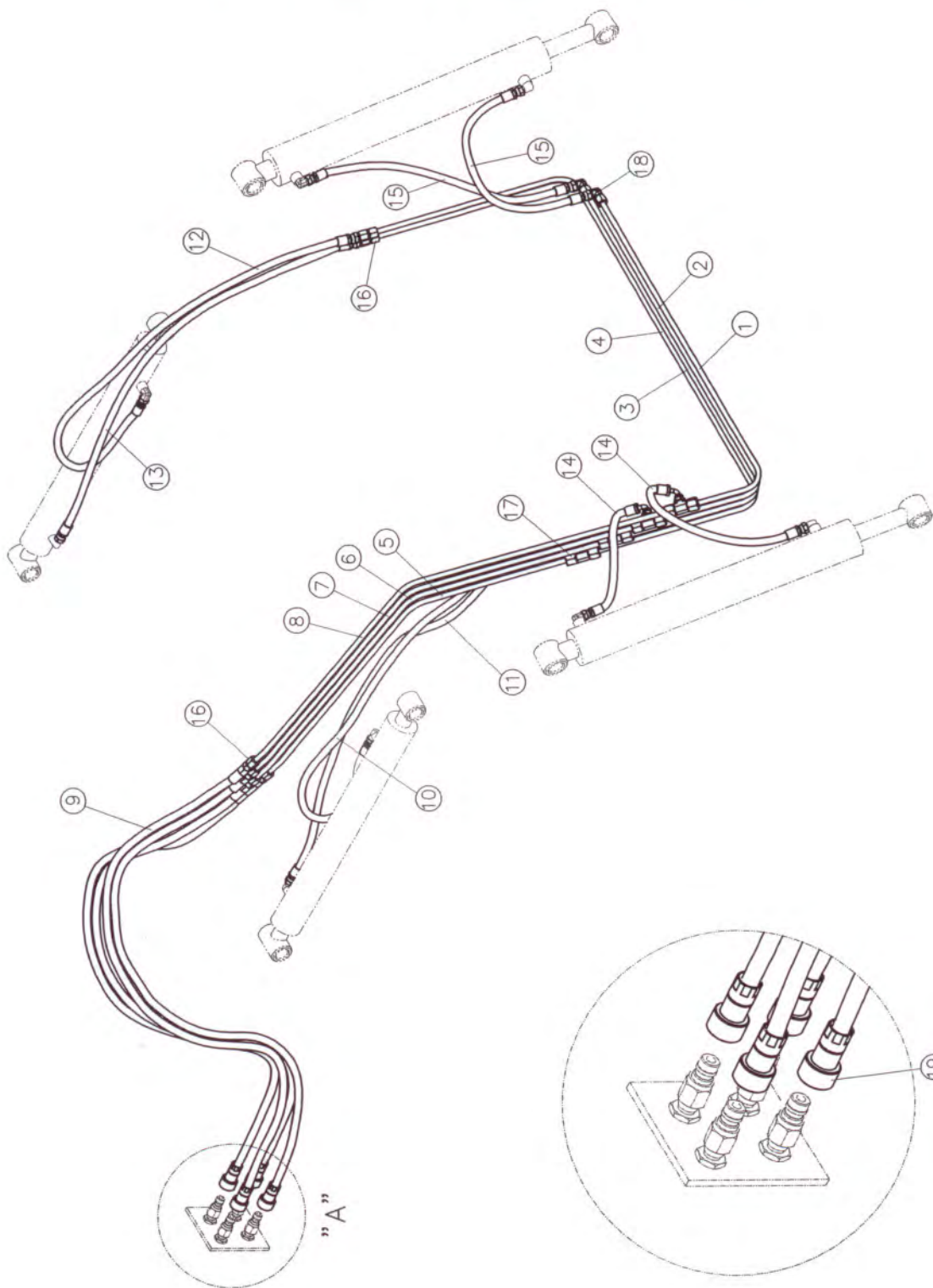
CYLINDER



CYLINDER

NO.	PART NAME	PART NUMBER		Q'TY	REMARK
		BUCKET	BOOM		
1	ROD	2050A-05-1020	2050A-05-2110	1	
2	PISTON	AKU30-05-1120	AKU30-05-1120	1	
3	O-RING	1BP18	1BP18	1	
4	U-PACKING	ODI 55x40x10	ODI 55x40x10	2	
5	NUT	AKU30-05-1150	AKU30-05-1150	1	
6	TUBE	2050A-05-1210	2050A-05-2210	1	
7	COVER ROD	AKU30-05-2220	AKU30-05-2220	1	
8	O-RING	1BG55	1BG55	1	
9	O-RING	1BP30	1BP30	1	
10	DU BUSH	AKU30-05-1250	AKU30-05-1250	1	
11	U-PACKING	ISI 30x40x6	ISI 30x40x6	1	
12	BACK UP RING	BRT3 30x40x2	BRT3 30x40x2	1	
13	O-RING	1BP50	1BP50	1	
14	DUST SEAL	LBI 30x38x5/6.5	LBI 30x38x5/6.5	1	
	SEAL KIT (Include 3, 4, 8, 9, 11, 12, 13, 14)	SEAL 5530	SEAL 5530		

HYDRAULIC PARTS



DECAL & MANUAL

