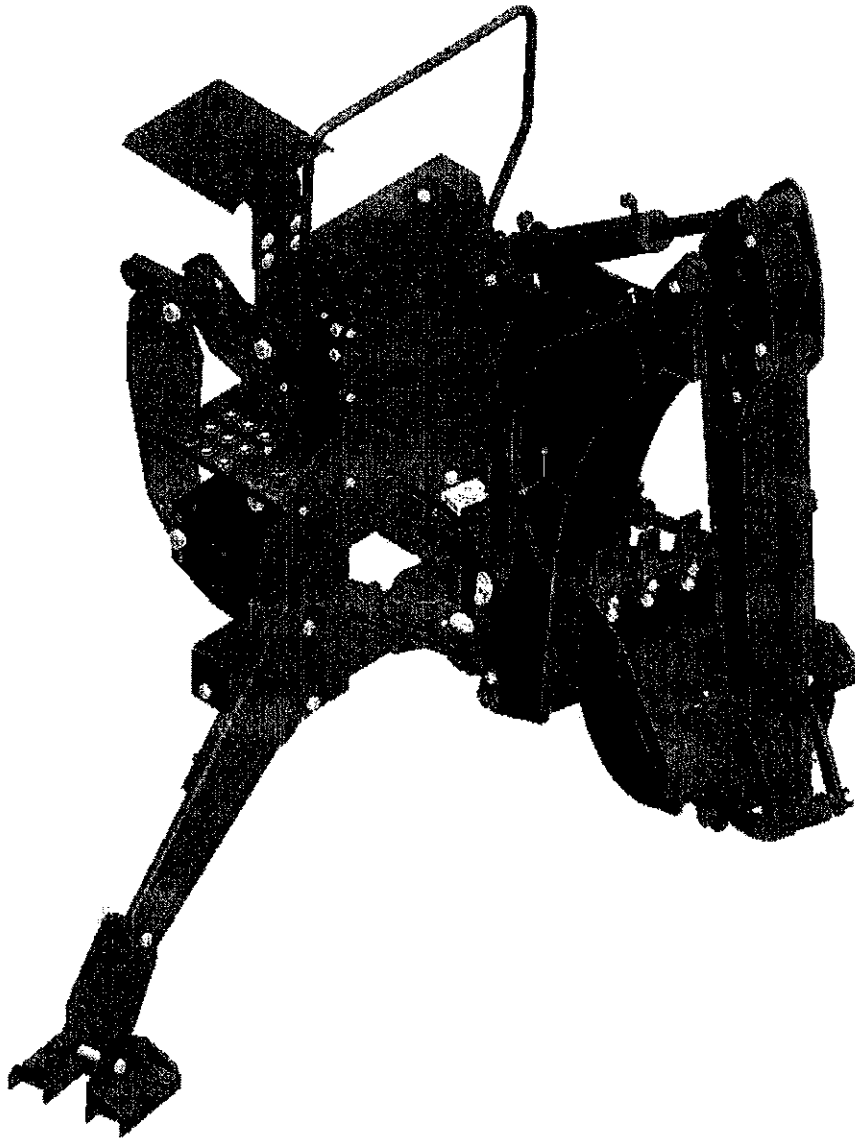


PARTS MANUAL

BH86B



BACKHOE
(3Point-Link Type)

BH86B-PM-01
Printed 2010, 01, 20

Table of Contents

(BH86/3POINT LINK)

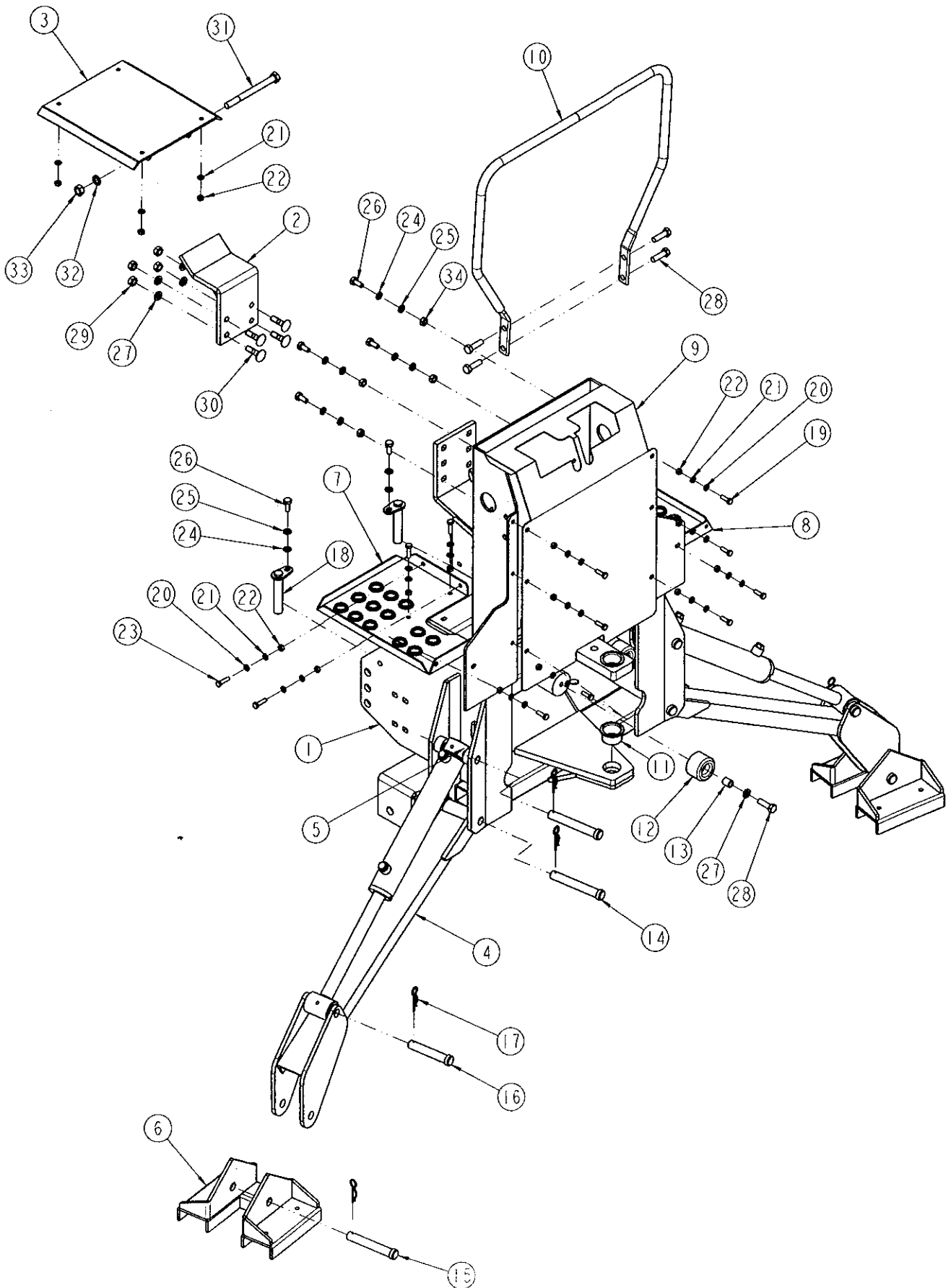
Assembly -----	2
Main Frame Assembly -----	4
3Point Link Assembly -----	6
Swing Frame Assembly -----	8
Boom Lower Assembly -----	10
Boom High Assembly -----	12
Bucket Assembly -----	14
Hydraulic Assembly -----	16
Cylinder Assembly -----	18
Decal & Manual -----	20

ASSEMBLY

(P/N: BH86B)

NO.	PART NUMBER	PART NAME	DESCRIPTION	Q'TY	REMARK
1	BMF40	MAIN FRAME		1	
2	BSF4A	SWING-FRAME ASSY		1	
3	BBL86A	BOOM-LOWER ASSY		1	
4	BBH86A	BOOM-HIGH ASSY		1	
5	BBK86A	BUCKET ASSY		1	
6	BBK86A-5100	ROD-BUCKET		1	
7	BBK86A-5300	LINK LH		1	
8	BBK86A-5400	LINK RH		1	
9	BBK40B-5500	PIN		2	
10	BH86A-09-8100	BOOM CYLINDER	∅70x∅40x765LxST400	1	
11	BH86A-09-8300	DIPPER CYLINDER	∅70x∅40x740LxST485	1	
12	BH86A-09-9000	BUCKET CYLINDER	∅60x∅35x770LxST300	1	
13	BH66A-09-950B	SWING CYLINDER	∅60x∅25x385LxST220	2	
14	BMF40-0040	PIN	∅20	2	
15	PR30045	R-PIN	∅3	2	
16	DB255N015	DU BUSH	∅25x∅28x25L	2	
17	DB256N015	DU BUSH	∅25x∅28x30L	2	
18	BH08AA125Z	BOLT(10.9T)	M8x50L	2	
19	NL08125Z	LOCK NUT	M8	2	
20	BH20B6250Z	BOLT(10,9T)	M20x55L	4	
21	WP20M	PLAIN WASHER	M20	2	
22	BMK4B	3POINT LINK ASSY		1	
23	NL20250Z	LOCK NUT	M20	2	

MAIN FRAME ASSEMBLY

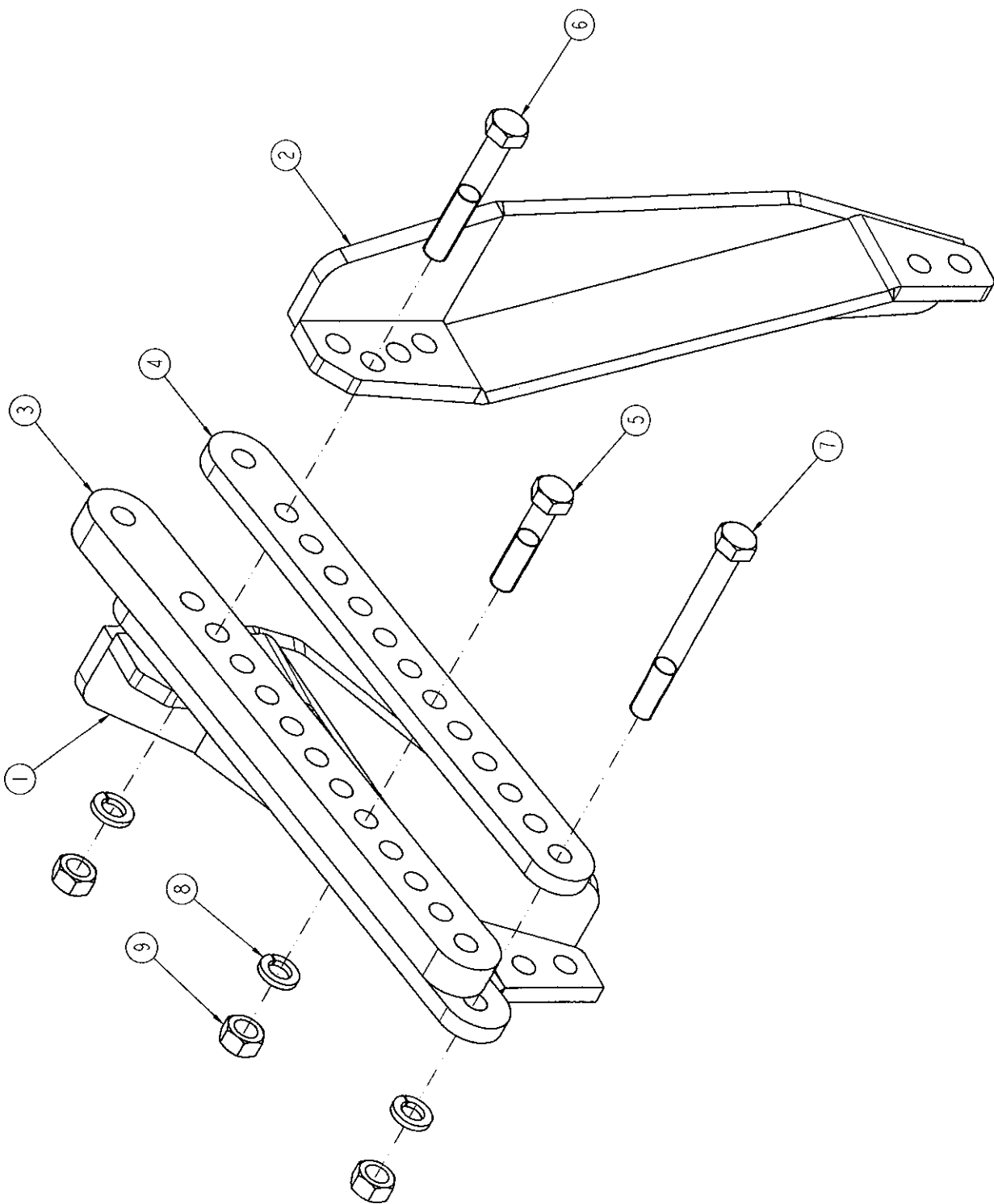


MAIN FRAME ASSEMBLY

(P/N:BMF40)

NO.	PART NUMBER	PART NAME	DESCRIPTION	Q'TY	REMARK
1	BMF40-0000	MAIN FRAME		1	
2	BMF40-3200	BRACKET		1	
3	BMF40-330A	SEAT BRACKET		1	
4	BMF40-280A	STABILIZER LEG		2	
5	C7600-09-8500	STABILIZER CYLINDER	∅50x∅30x430LxST285	2	
6	BMF40-290A	STABILIZER		2	
7	BMF40-3010	FOOTSTOOL, RH	3.2t	1	
8	BMF40-3020	FOOTSTOOL, LH	3.2t	1	
9	BMF40-5020	COVER	1.6t	1	
10	BMF40-5100	HANDLE		1	
11	DB95T025	DU BUSH	∅45x25L	2	
12	BMF40-1150	STOPPER	∅60	2	
13	BMF40-1160	SPACER	∅17.3x2.3t	2	
14	BMF40-0010	PIN	∅25	4	
15	BMF40-0020	PIN	∅20	2	
16	BMF40-0030	PIN	∅20	2	
17	PR30045	R-PIN	∅3	8	
18	BMF40-0100	PIN		2	
19	BH0855125X	BOLT(10.9T)	M8x25L	8	
20	WP08M	PLAIN WASHER	M8	16	
21	WS08M	SPRING WASHER	M8	20	
22	NH08125Z	NUT	M8	20	
23	BH0866125Z	BOLT(10.9T)	M8x30L	8	
24	WP10M	PLAIN WASHER	M10	6	
25	WS10M	SPRING WASHER	M10	6	
26	BH1055150Z	BOLT(10.9T)	M10x25L	6	
27	WS12M	SPRING WASHER	M12	10	
28	BH1288175Z	BOLT(10.9T)	M12x40L	6	
29	NH12175Z	NUT	M12	8	
30	BR1299175Z	BOLT(10.9T)	M12x45L	4	
31	BH14W8200Z	BOLT(10.9T)	M14x160L	1	
32	WP14M	PLAIN WASHER	M14	1	
33	NL14200Z	LOCK NUT	M14	1	
34	NH10150Z	NUT	M10	4	

3POINT LINK ASSEMBLY

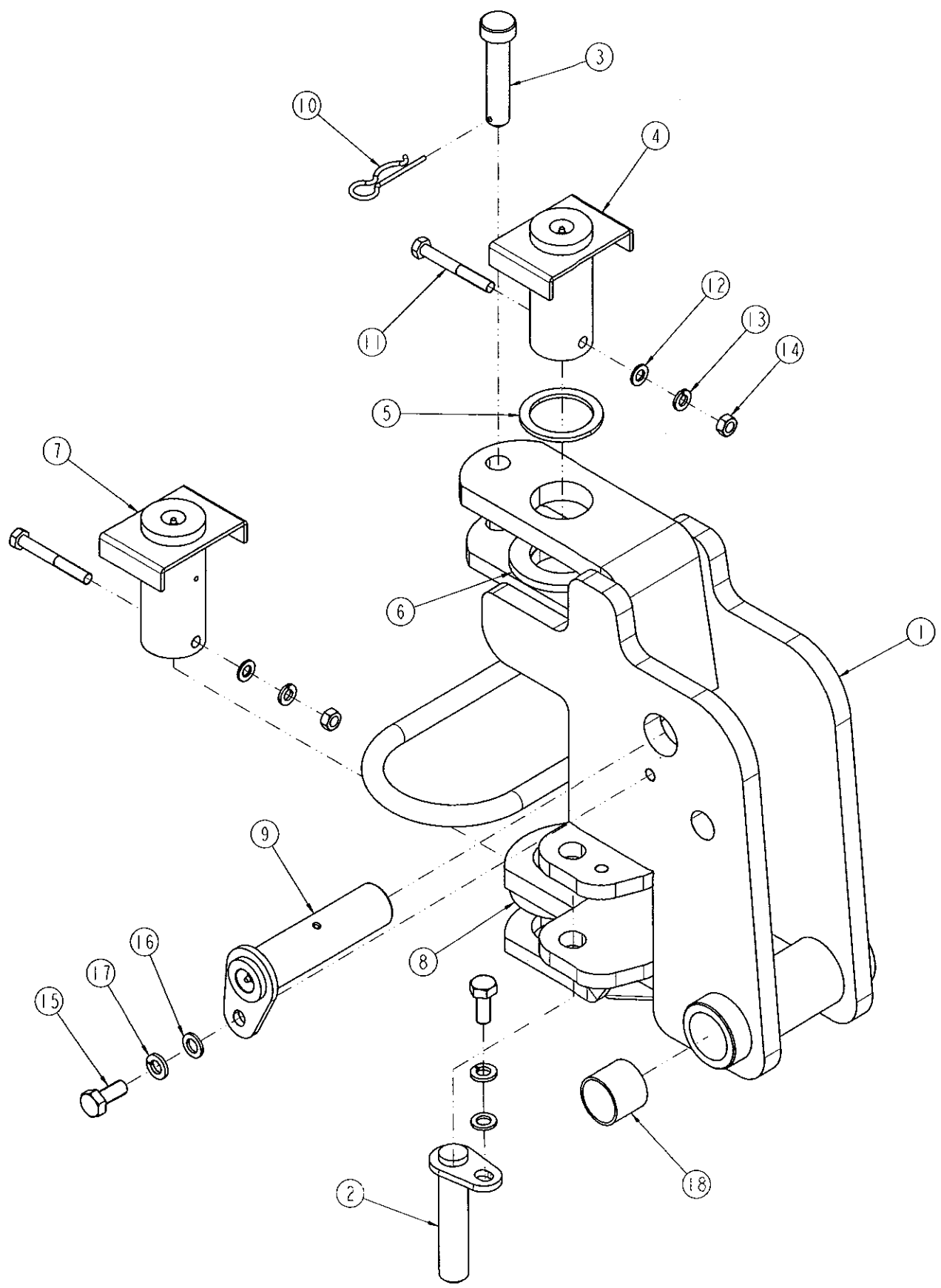


3POINT LINK ASSEMBLY

(P/N:BMK4B)

NO.	PART NUMBER	PART NAME	DESCRIPTION	Q'TY	REMARK
1	BMK4B-1100	BRACKET HITCH		1	
2	BMK4B-1200	BRACKET HITCH		1	
3	BMK4B-2110	LINK	30+	1	
4	BMK4B-2120	LINK	16+	2	
5	BH201A250Z	BOLT(10,9T)	M20x90L	1	
6	BH20QD250Z	BOLT(10,9T)	M20x130L	1	
7	BH20180A250Z	BOLT(10,9T)	M20x180L	1	
8	WS20M	SPRING WASHER	M20	3	
9	NH20250Z	NUT	M20	3	

SWING FRAME ASSEMBLY

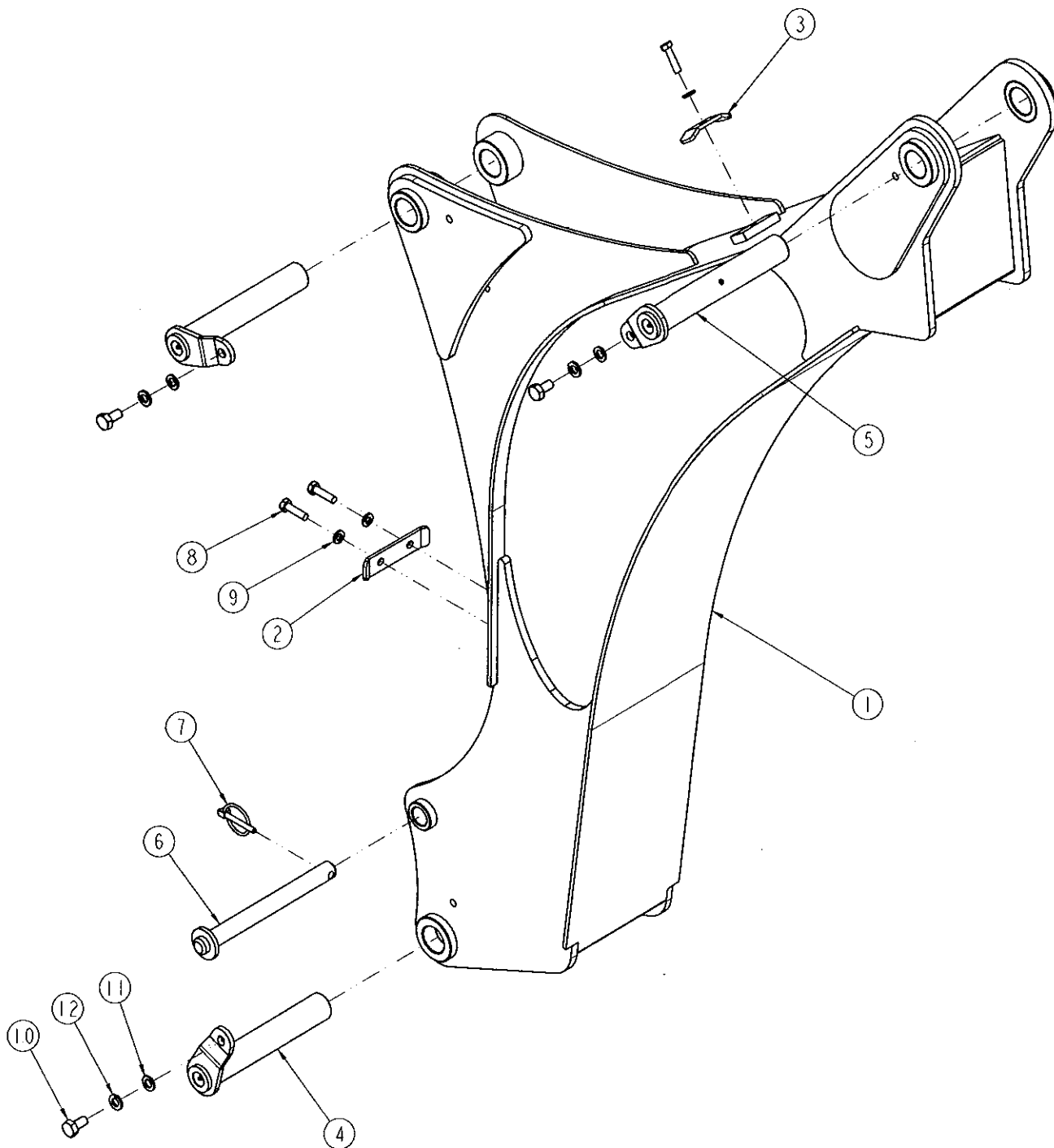


SWING FRAME ASSEMBLY

(P/N:BSF4A)

NO.	PART NUMBER	PART NAME	DESCRIPTION	Q'TY	REMARK
1	BSF4A-0000	SWING FRAME		1	
2	BSF40-1700	PIN		2	
3	BSF40-0020	PIN	∅25	1	
4	BSF40-1900	PIN		1	
5	BSF40-1930	SHIM	3.2t	1	
6	BSF66A-1940	SHIM	6t	1	
7	BSF40-190A	PIN		1	
8	BSF40-1950	SHIM	10t	1	
9	P32B-1200	PIN		1	
10	PR30045	R-PIN	∅3	1	
11	BH08D6125Z	BOLT(10.9T)	M8x65L	2	
12	WP08M	PLAIN WASHER	M8	2	
13	WS08M	SPRING WASHER	M8	2	
14	NH08125Z	NUT	M8	2	
15	BH1055150Z	BOLT(10.9T)	M10x25L	3	
16	WP10M	PLAIN WASHER	M10	3	
17	WS10M	SPRING WASHER	M10	3	
18	DB326N020	DU BUSH	∅32x∅36x30L	2	

BOOM LOWER ASSEMBLY

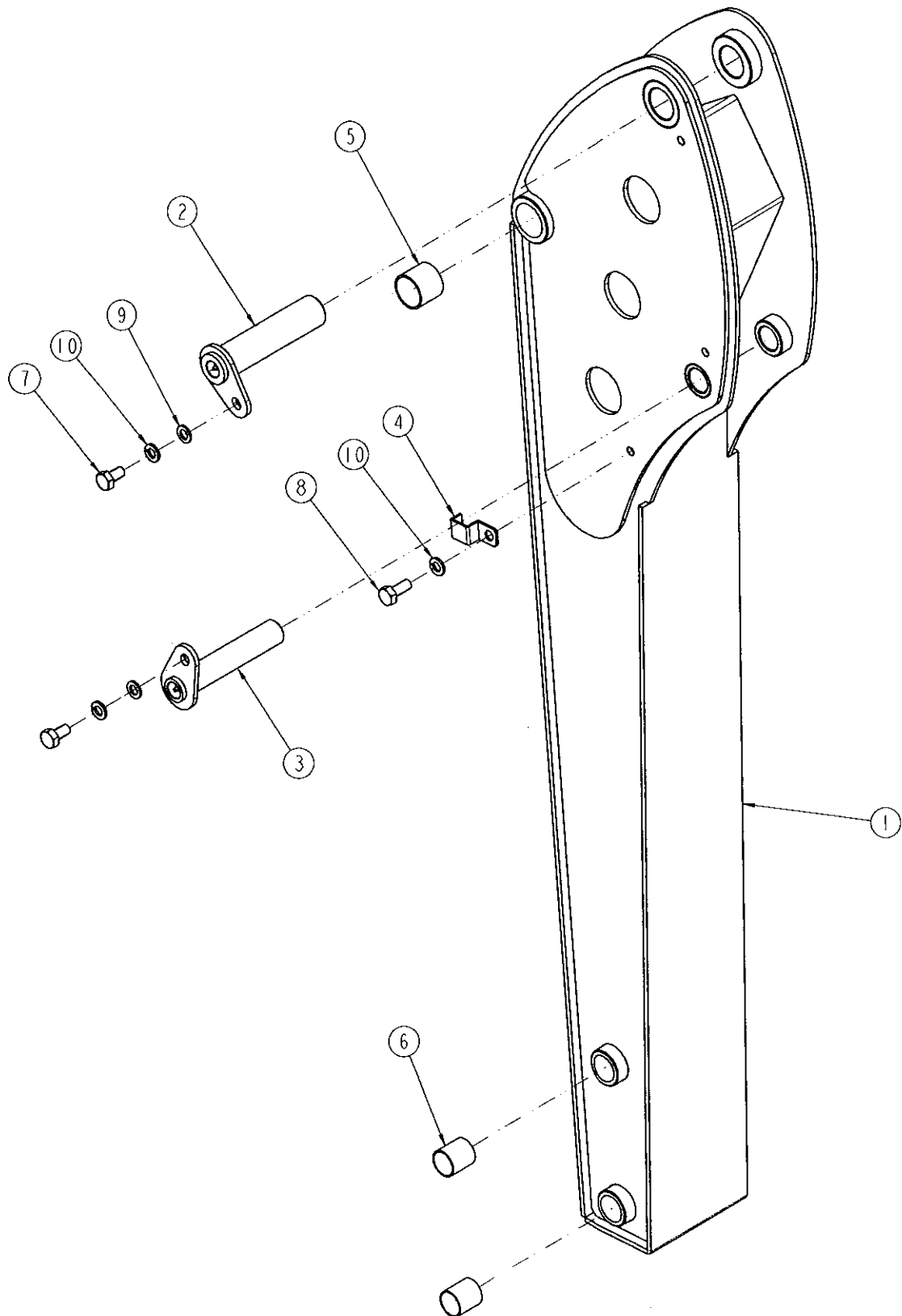


BOOM LOWER ASSEMBLY

(P/N:BBL86A)

NO.	PART NUMBER	PART NAME	DESCRIPTION	Q'TY	REMARK
1	BBL86A-0000	BOOM-LOWER		1	
2	BBL66A-0010	HOSE CLAMP LOW	4†	1	
3	BBL66A-002A	HOSE CLAMP HIGH	4†	1	
4	P32A-1900	PIN		2	
5	P32A-2050	PIN		1	
6	BBL76C-5600	PIN		1	
7	AL20-98-9990	LINK PIN		1	
8	BH0866125Z	BOLT(10.9T)	M8x30L	3	
9	WS08M	SPRING WASHER	M8	3	
10	BH1044150Z	BOLT(10.9T)	M10x20L	3	
11	WP10M	PLAIN WASHER	M10	3	
12	WS10M	SPRING WASHER	M10	3	

BOOM HIGH ASSEMBLY

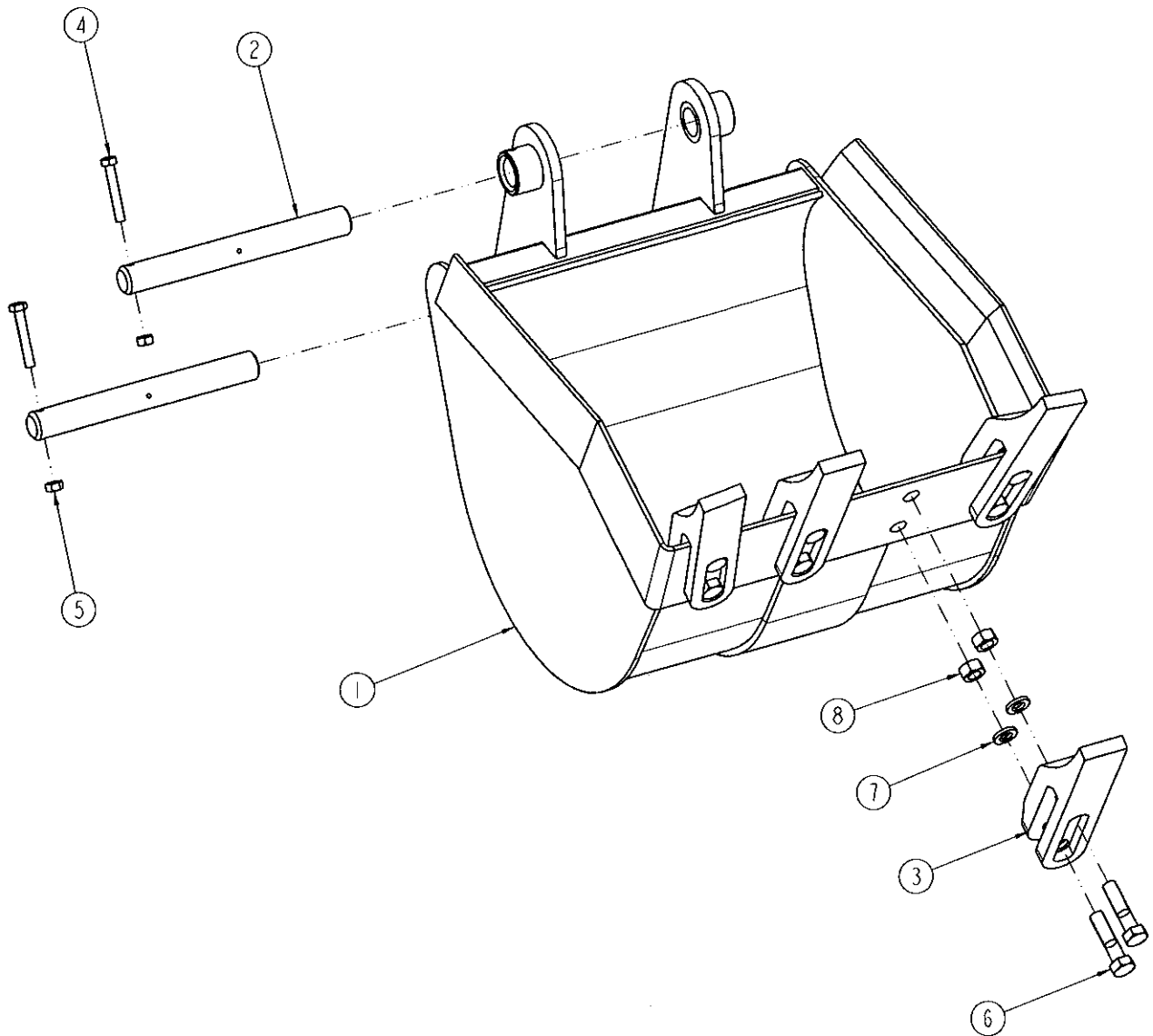


BOOM HIGH ASSEMBLY

(P/N:BBH86A)

NO.	PART NUMBER	PART NAME	DESCRIPTION	Q'TY	REMARK
1	BBH86A-0000	BOOM-HIGH		1	
2	P32B-130A	PIN		1	
3	P25B-130A	PIN		1	
4	BBH76C-1080	HOLDER	2.3t	2	
5	DB326N020	DU BUSH	∅32x∅36x30L	2	
6	DB256N015	DU BUSH	∅25x∅28x30L	4	
7	BH1044150Z	BOLT(10.9T)	M10x20L	2	
8	BH1055150Z	BOLT(10.9T)	M10x25L	2	
9	WPI0M	PLAIN WASHER	M10	2	
10	WSI0M	SPRING WASHER	M10	4	

BUCKET ASSEMBLY

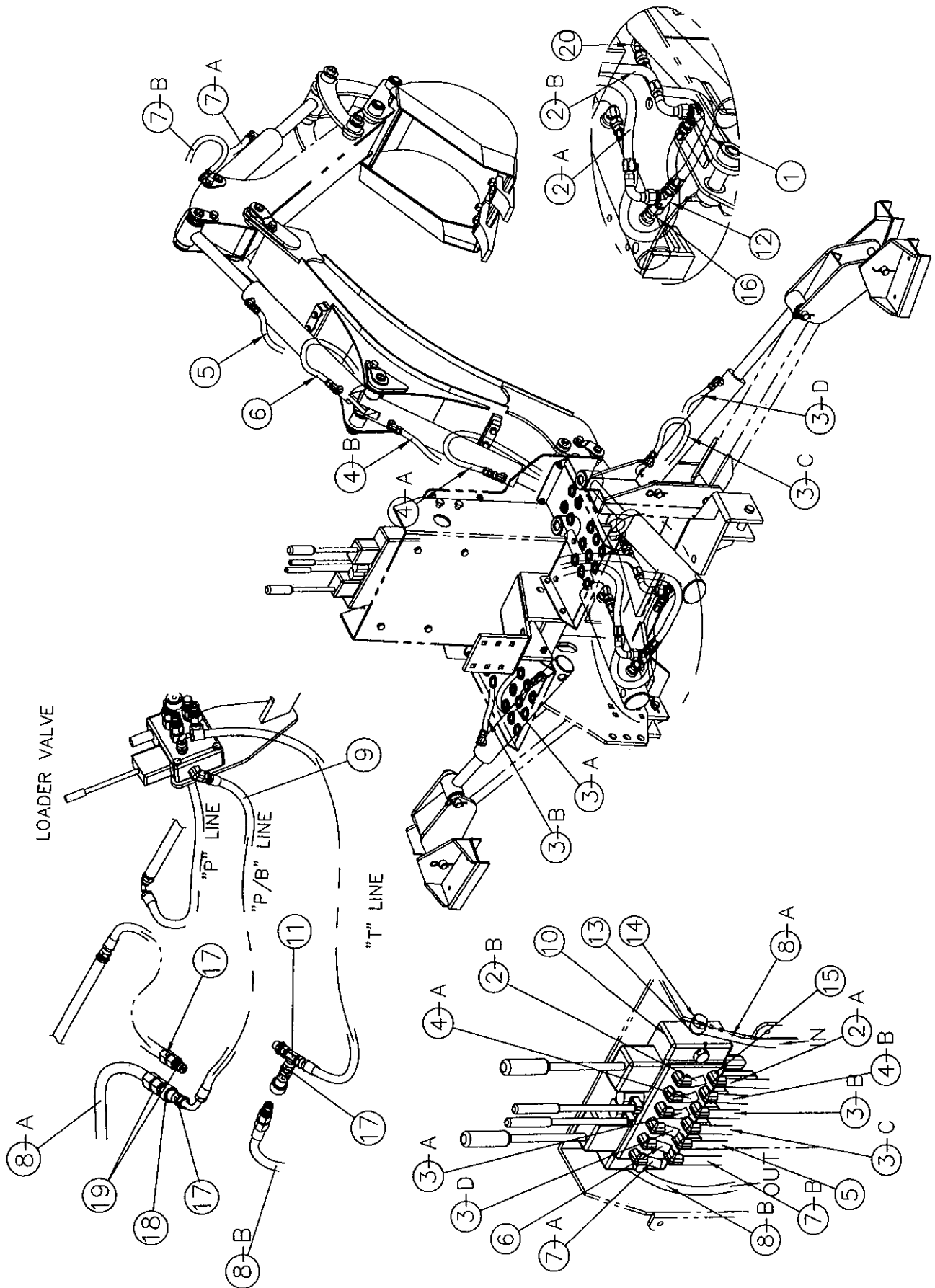


BUCKET ASSEMBLY

(P/N:BBK86A)

NO.	PART NUMBER	PART NAME	DESCRIPTION	Q'TY	REMARK
1	BBK86A-0000	BUCKET		1	
2	BBK40B-0010	PIN	Ø25x217L	2	
3	ALN47-21-9000	TOOTH		4	
4	BH08AA125Z	BOLT(10.9T)	M8x50L	2	
5	NL08125Z	LOCK NUT	M8	2	
6	BH12A6175Z	BOLT(10.9T)	M12x50L	8	
7	WS12M	SPRING WASHER	M12	8	
8	NH12175Z	NUT	M12	8	

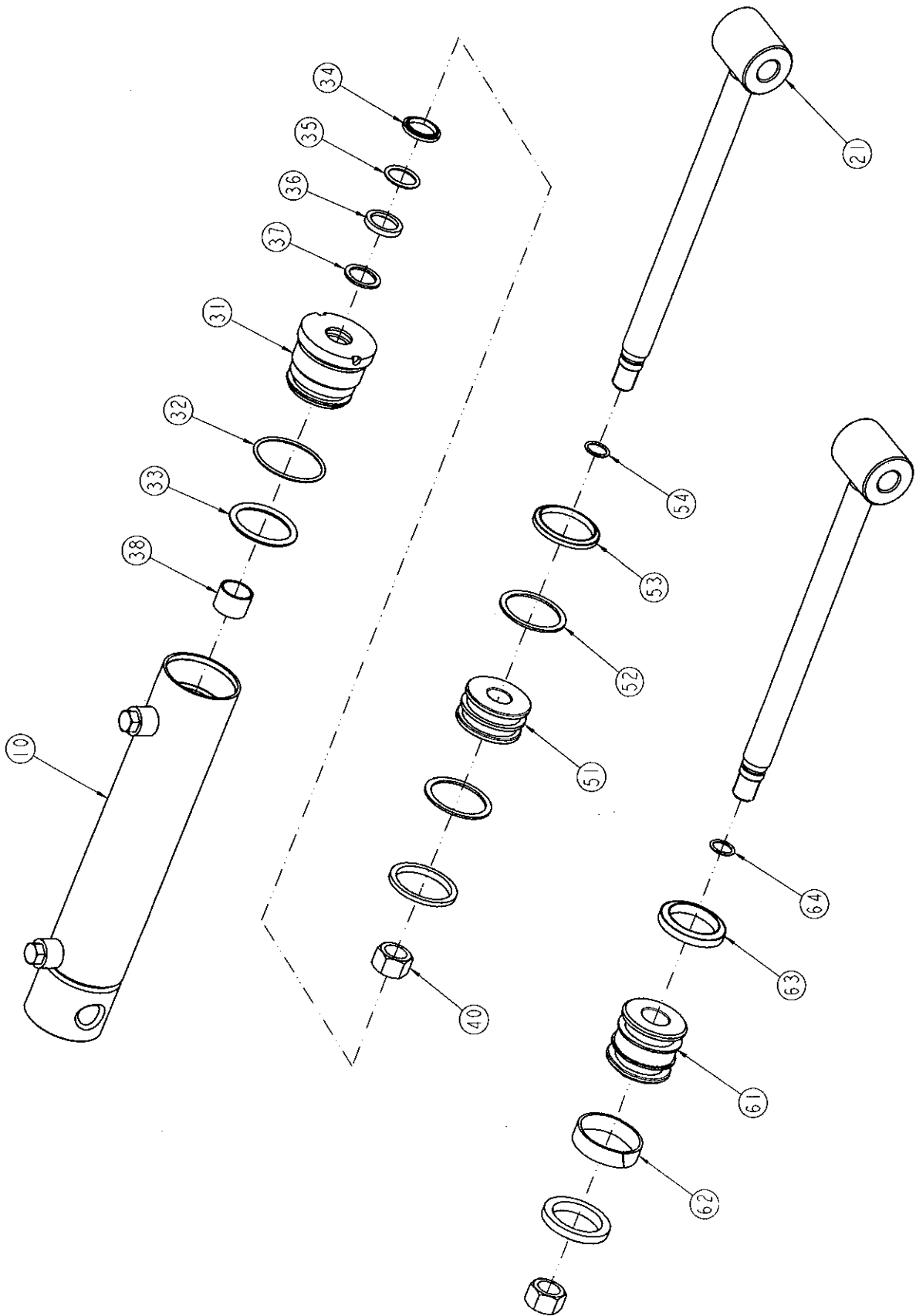
HYDRAULIC PARTS



HYDRAULIC PARTS

NO.	PART NAME	PART NUMBER	Q'TY	REMARK
1	HOSE ASS'Y	1P41-0530	2	SWING
2	HOSE ASS'Y	1P41-0540	2	SWING-OUT
3	HOSE ASS'Y	1P41-0560	4	STABILAZER
4	HOSE ASS'Y	1P41-0730	2	BOOM
5	HOSE ASS'Y	1P41-1060	1	BOOM(DIPPER)
6	HOSE ASS'Y	1P41-1070	1	BOOM(DIPPER)
7	HOSE ASS'Y	1P41-1080	2	BUCKET
8	HOSE ASS'Y	3P81-100A	2	P, T Line
9	HOSE ASS'Y	3P81-0940	1	P/B Line
10	CONTROL VALVE	BH760-07-001A	1	SAE
11	TEE NIPPLE	BH760-07-0020	1	
12	TEE NIPPLE	BH760-07-0030	2	
13	COPPER WASHER	BH760-07-004A	4	
14	BENJO BOLT	BH760-07-005A	2	
15	O-RING ELBOW	BH760-07-006A	12	
16	NIPPLE	BH760-07-0070	2	
17	NIPPLE	AL35-07-7820	3	
18	Q-COUPLER(F)	ALK28-07-7100	2	
19	Q-COUPLER(M)	ALK28-07-7200	3	
20	ELBOW NIPPLE	ALK28-07-9500	6	

CYLINDER ASSEMBLY



CYLINDER ASSEMBLY

NO.	PART NUMBER	PART NAME	Q'ty					REMARK
			BH86A-09-8100	BH86A-09-8300	C7600-09-8500	BH86A-09-9000	BH66A-09-950B	
10	BH86A-09-8130	TUBE	1	-	-	-	-	
	BH86A-09-8330		-	1	-	-	-	
	C7600-09-8530		-	-	1	-	-	
	BH86A-09-9030		-	-	-	1	-	
	BH66A-09-9530		-	-	-	-	1	
21	BH86A-09-8010	ROD	1	-	-	-	-	
	BH86A-09-8310		-	1	-	-	-	
	C7600-09-8510		-	-	1	-	-	
	BH86A-09-9010		-	-	-	1	-	
	BH66A-09-9510		-	-	-	-	1	
31	CR7040	COVER ROD	1	1	-	-	-	
	CR5030		-	-	1	-	-	
	CR6035		-	-	-	1	-	
	CR6025		-	-	-	-	1	
32	1BG70	O-RING	1	1	-	-	-	
	1BG50		-	-	1	-	-	
	1BG60		-	-	-	1	1	
33	1BP60	O-RING	1	1	-	-	-	
	1BP44		-	-	1	-	-	
	1BP50A		-	-	-	1	1	
34	LBW 40x48x5/6.5	DUST SEAL	1	1	-	-	-	
	LBW 30x38x5/6.5		-	-	1	-	-	
	LBW 35x43x5/6.5		-	-	-	1	-	
	LBW 25x33x4.5/6		-	-	-	-	1	
35	1BP40	O-RING	1	1	-	-	-	
	1BP30		-	-	1	-	-	
	1BP35		-	-	-	1	-	
	1BP25		-	-	-	-	1	
36	ISW 40x50x6	U-PACKING	1	1	-	-	-	
	ISW 30x40x6		-	-	1	-	-	
	ISW 35x45x6		-	-	-	1	-	
	ISW 25x33x5		-	-	-	-	1	
37	BRWW 40x50x2	BACK UP RING	1	1	-	-	-	
	BRWW 30x40x2		-	-	1	-	-	
	BRWW 35x45x2		-	-	-	1	-	
	BRWW 25x33x2		-	-	-	-	1	
38	DU4020	DU BUSH	1	1	-	-	-	
	DU3020		-	-	1	-	-	
	DU3520		-	-	-	1	-	
	DU2520		-	-	-	-	1	
40	CY-M24	NUT	1	1	-	-	-	M24x2.0
	CY-M16		-	-	1	-	-	M16x2.0
	CY-M20		-	-	-	1	1	M20x2.0
51	PI5025	PISTON	-	-	1	-	-	
	PI6025		-	-	-	-	1	
52	BRWW 40x50x2	BACK UP RING	-	-	2	-	-	
	BRWW 50x60x2		-	-	-	-	2	
53	OSW 50x40x6	U-PACKING	-	-	2	-	-	
	OSW 60x50x6		-	-	-	-	2	
54	1BP16	O-RING	-	-	1	-	-	
	1BP18		-	-	-	-	1	
61	PI7040-W	PISTON	1	1	-	-	-	
	PI6035-W		-	-	-	1	-	
62	WRW 70x65x15	WEAR-RING	1	1	-	-	-	
	WRW 60x55x15		-	-	-	1	-	
63	OSW 70x55x9	U-PACKING	2	2	-	-	-	
	OSW 60x45x9		-	-	-	2	-	
64	1BP21	O-RING	1	1	-	1	-	

DECAL & MANUAL

