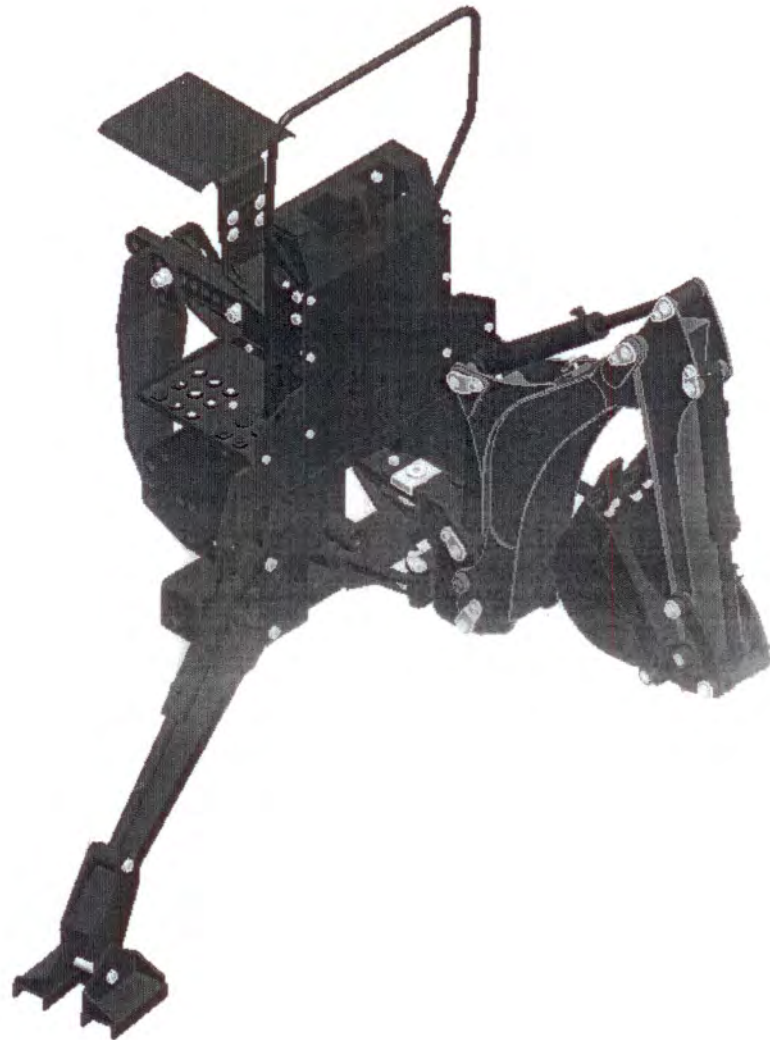


# ***PARTS MANUAL***

**BH76**



**BACKHOE  
(3Point-Link Type)**

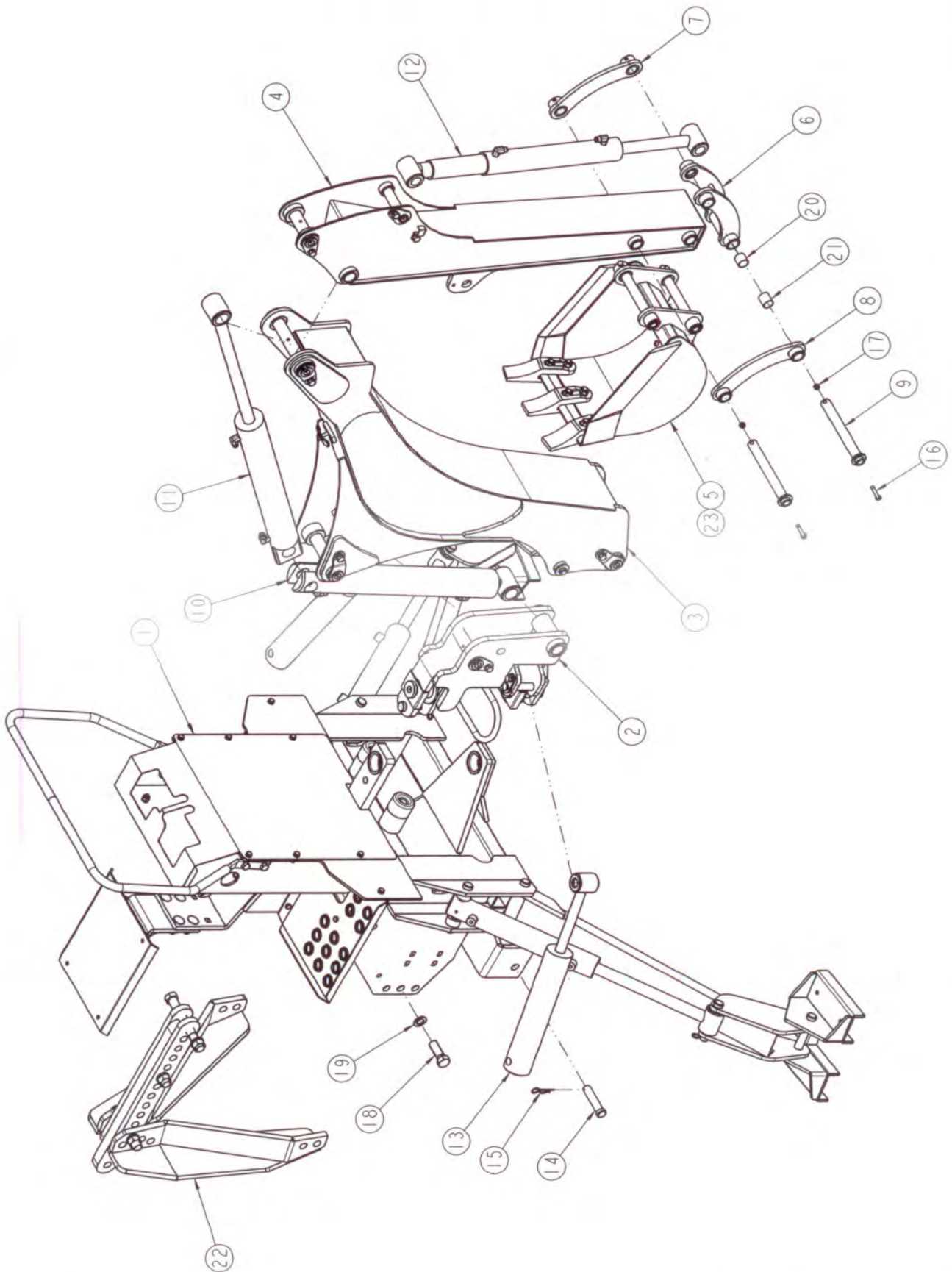
BH76C-PM-01  
Printed 2008, 10, 13

# Table of Contents

## (BH76/3POINT LINK)

|                            |    |
|----------------------------|----|
| Assembly -----             | 2  |
| Main Frame Assembly -----  | 4  |
| 3Point Link Assembly ----- | 6  |
| Swing Frame Assembly ----- | 8  |
| Boom Lower Assembly -----  | 10 |
| Boom High Assembly -----   | 12 |
| Bucket Assembly -----      | 14 |
| Hydraulic Assembly -----   | 16 |
| Cylinder Assembly -----    | 18 |
| Decal & Manual -----       | 20 |

# ASSEMBLY

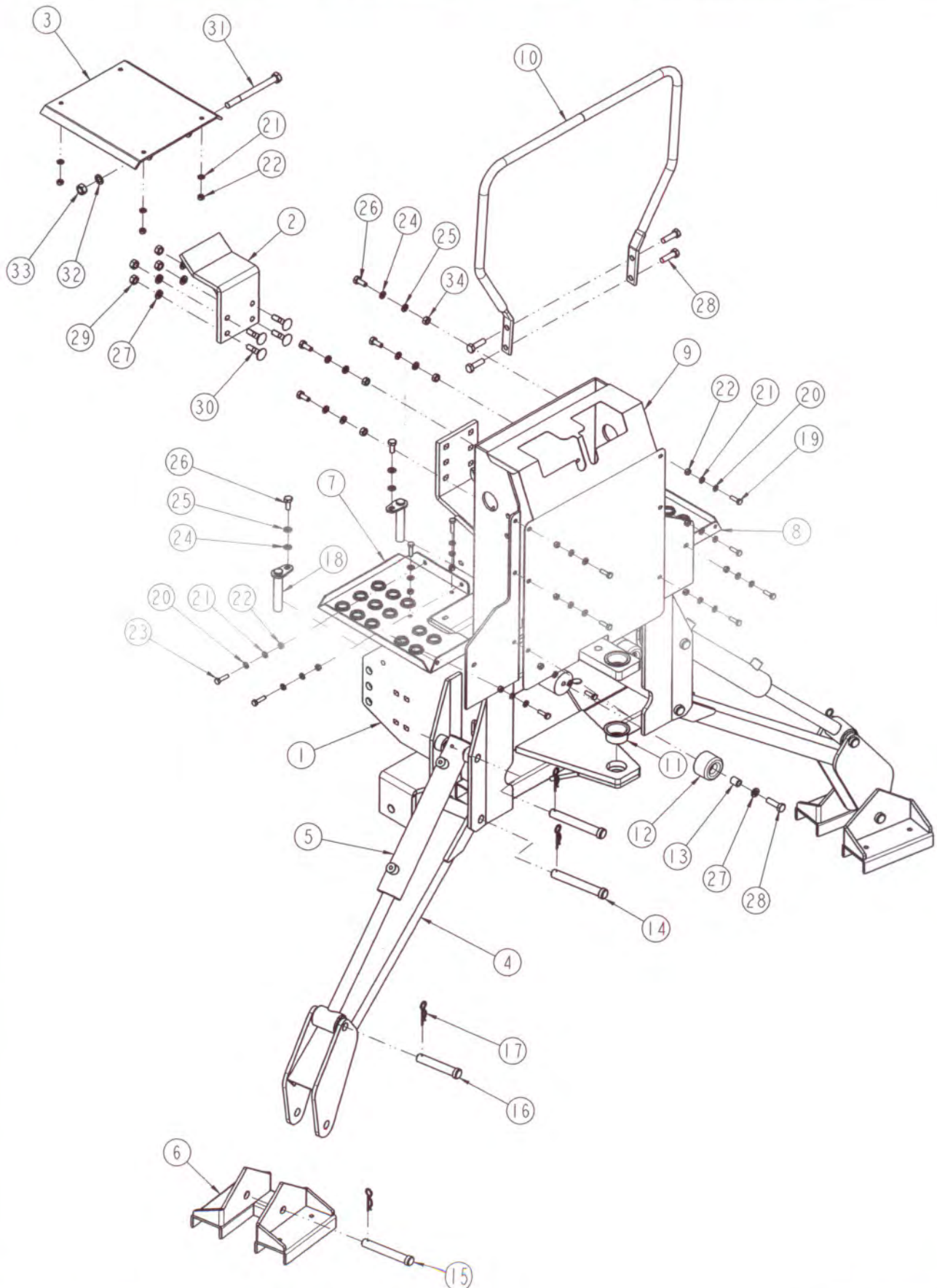


# ASSEMBLY

## (P/N: BH76C)

| NO. | PART NUMBER   | PART NAME          | DESCRIPTION | Q'TY | REMARK |
|-----|---------------|--------------------|-------------|------|--------|
| 1   | BMF40         | MAIN FRAME         |             | 1    |        |
| 2   | BSF4A         | SWING-FRAME ASSY   |             | 1    |        |
| 3   | BBL76C        | BOOM-LOWER ASSY    |             | 1    |        |
| 4   | BBH76C        | BOOM-HIGH ASSY     |             | 1    |        |
| 5   | BBK40B        | BUCKET ASSY(13"HD) |             | 1    |        |
| 6   | BBK40B-5100   | ROD BUCKET         |             | 1    |        |
| 7   | BBK40B-5300   | LINK               |             | 1    |        |
| 8   | BBK40B-5400   | LINK               |             | 1    |        |
| 9   | BBK40B-5500   | PIN                |             | 2    |        |
| 10  | BH76C-09-8100 | BOOM CYLINDER      |             | 1    |        |
| 11  | BH76C-09-8300 | DIPPER CYLINDER    |             | 1    |        |
| 12  | BH76C-09-9000 | BUCKET CYLINDER    |             | 1    |        |
| 13  | C7600-09-9500 | SWING CYLINDER     |             | 2    |        |
| 14  | BMF40-0040    | PIN                | ∅20         | 2    |        |
| 15  | PR30045       | R-PIN              | ∅3          | 2    |        |
| 16  | BH08AA125Z    | BOLT(10.9T)        | M8x50L      | 2    |        |
| 17  | NL08125Z      | LOCK NUT           | M8          | 2    |        |
| 18  | BH20CA250Z    | BOLT(10.9T)        | M20x60L     | 1    |        |
| 19  | WP20M         | PLAIN WASHER       | M20         | 1    |        |
| 20  | DB255N015     | DU BUSH            | ∅25x∅28x25L | 2    |        |
| 21  | DB256N015     | DU BUSH            | ∅25x∅28x30L | 2    |        |
| 22  | BMK4B         | 3POINT LINK ASSY   |             | 1    |        |
| 23  | BBK16C        | BUCKET ASSY        | 16" HD      | 1    | OPTION |

# MAIN FRAME ASSEMBLY

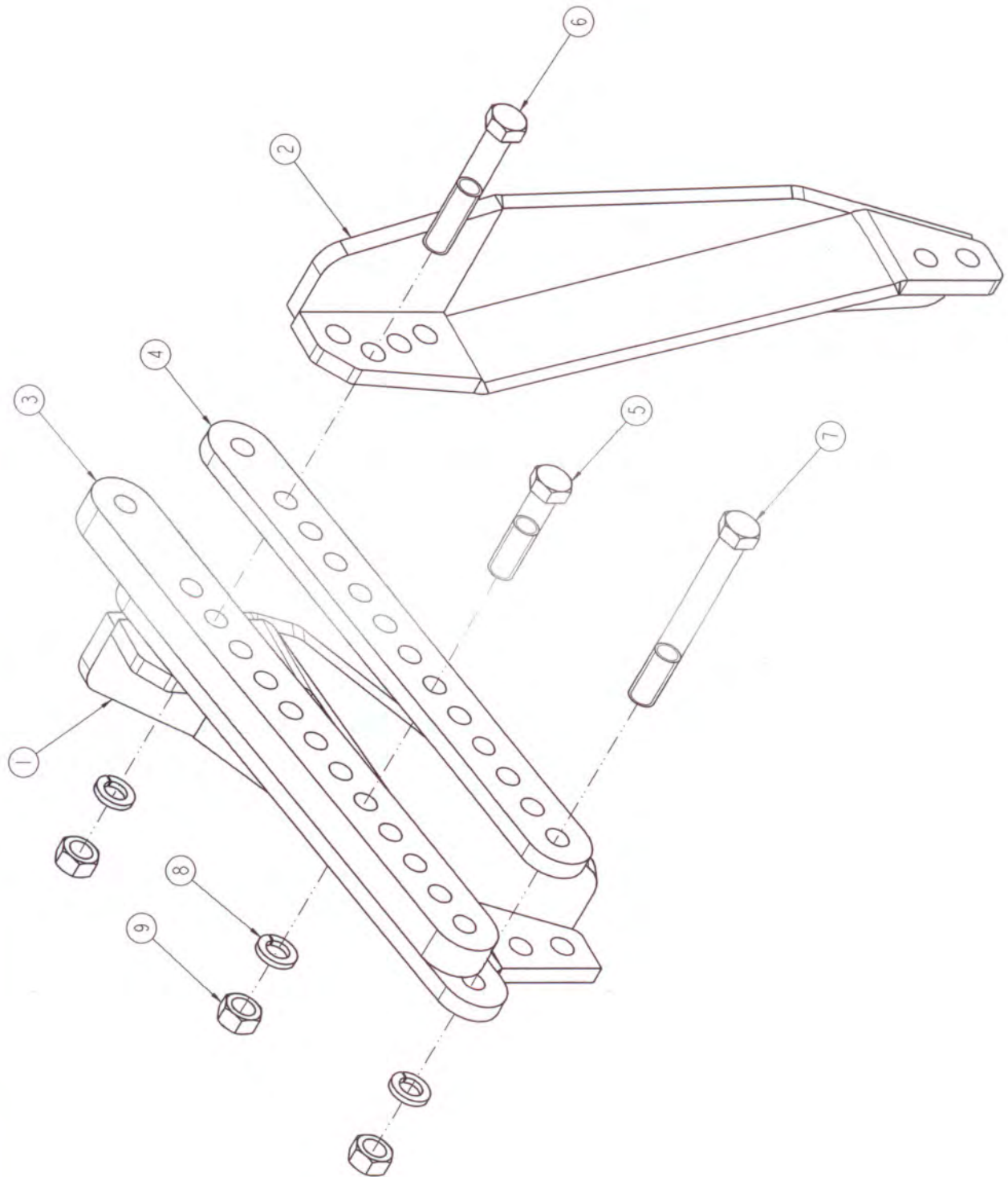


# MAIN FRAME ASSEMBLY

## (P/N:BMF40)

| NO. | PART NUMBER   | PART NAME           | DESCRIPTION | Q'TY | REMARK |
|-----|---------------|---------------------|-------------|------|--------|
| 1   | BMF40-0000    | MAIN FRAME          |             | 1    |        |
| 2   | BMF40-3200    | BRACKET             |             | 1    |        |
| 3   | BMF40-330A    | SEAT BRACKET        |             | 1    |        |
| 4   | BMF40-280A    | STABILIZER LEG      |             | 2    |        |
| 5   | C7600-09-8500 | STABILIZER CYLINDER |             | 2    |        |
| 6   | BMF40-290A    | STABILIZER          |             | 2    |        |
| 7   | BMF40-3010    | FOOTSTOOL, RH       | 3.2†        | 1    |        |
| 8   | BMF40-3020    | FOOTSTOOL, LH       | 3.2†        | 1    |        |
| 9   | BMF40-5020    | COVER               | 1.6†        | 1    |        |
| 10  | BMF40-5100    | HANDLE              |             | 1    |        |
| 11  | DB95T025      | DU BUSH             | ∅45x25L     | 2    |        |
| 12  | BMF40-1150    | STOPPER             | ∅60         | 2    |        |
| 13  | BMF40-1160    | SPACER              | ∅17.3x2.3†  | 2    |        |
| 14  | BMF40-0010    | PIN                 | ∅25         | 4    |        |
| 15  | BMF40-0020    | PIN                 | ∅20         | 2    |        |
| 16  | BMF40-0030    | PIN                 | ∅20         | 2    |        |
| 17  | PR30045       | R-PIN               | ∅3          | 8    |        |
| 18  | BMF40-0100    | PIN                 |             | 2    |        |
| 19  | BH0855125X    | BOLT(10.9T)         | M8x25L      | 8    |        |
| 20  | WP08M         | PLAIN WASHER        | M8          | 16   |        |
| 21  | WS08M         | SPRING WASHER       | M8          | 20   |        |
| 22  | NH08125Z      | NUT                 | M8          | 20   |        |
| 23  | BH0866125Z    | BOLT(10.9T)         | M8x30L      | 8    |        |
| 24  | WP10M         | PLAIN WASHER        | M10         | 6    |        |
| 25  | WS10M         | SPRING WASHER       | M10         | 6    |        |
| 26  | BH1055150Z    | BOLT(10.9T)         | M10x25L     | 6    |        |
| 27  | WS12M         | SPRING WASHER       | M12         | 10   |        |
| 28  | BH1288175Z    | BOLT(10.9T)         | M12x40L     | 6    |        |
| 29  | NH12175Z      | NUT                 | M12         | 8    |        |
| 30  | BR1299175Z    | BOLT(10.9T)         | M12x45L     | 4    |        |
| 31  | BH14W8200Z    | BOLT(10.9T)         | M14x160L    | 1    |        |
| 32  | WP14M         | PLAIN WASHER        | M14         | 1    |        |
| 33  | NL14200Z      | LOCK NUT            | M14         | 1    |        |
| 34  | NH10150Z      | NUT                 | M10         | 4    |        |

# 3POINT LINK ASSEMBLY



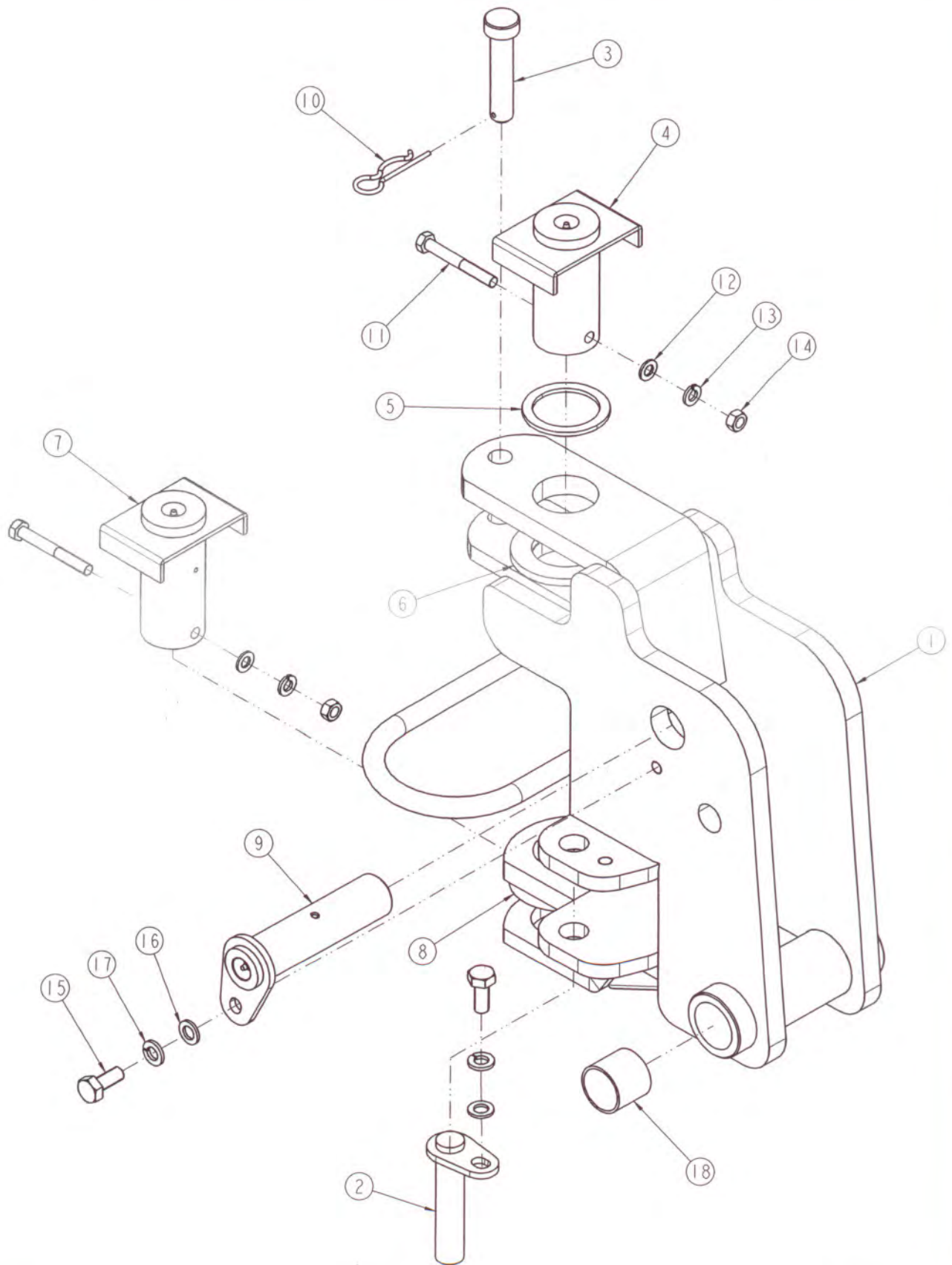
# 3POINT LINK ASSEMBLY

(P/N:BMK4B)

| NO. | PART NUMBER  | PART NAME     | DESCRIPTION | Q'TY | REMARK |
|-----|--------------|---------------|-------------|------|--------|
| 1   | BMK4B-1100   | BRACKET HITCH |             | 1    |        |
| 2   | BMK4B-1200   | BRACKET HITCH |             | 1    |        |
| 3   | BMK4B-2110   | LINK          | 30+         | 1    |        |
| 4   | BMK4B-2120   | LINK          | 16+         | 2    |        |
| 5   | BH201A250Z   | BOLT(10.9T)   | M20x90L     | 1    |        |
| 6   | BH20QD250Z   | BOLT(10.9T)   | M20x130L    | 1    |        |
| 7   | BH20180A250Z | BOLT(10.9T)   | M20x180L    | 1    |        |
| 8   | WS20M        | SPRING WASHER | M20         | 3    |        |
| 9   | NH20250Z     | NUT           | M20         | 3    |        |



# SWING FRAME ASSEMBLY

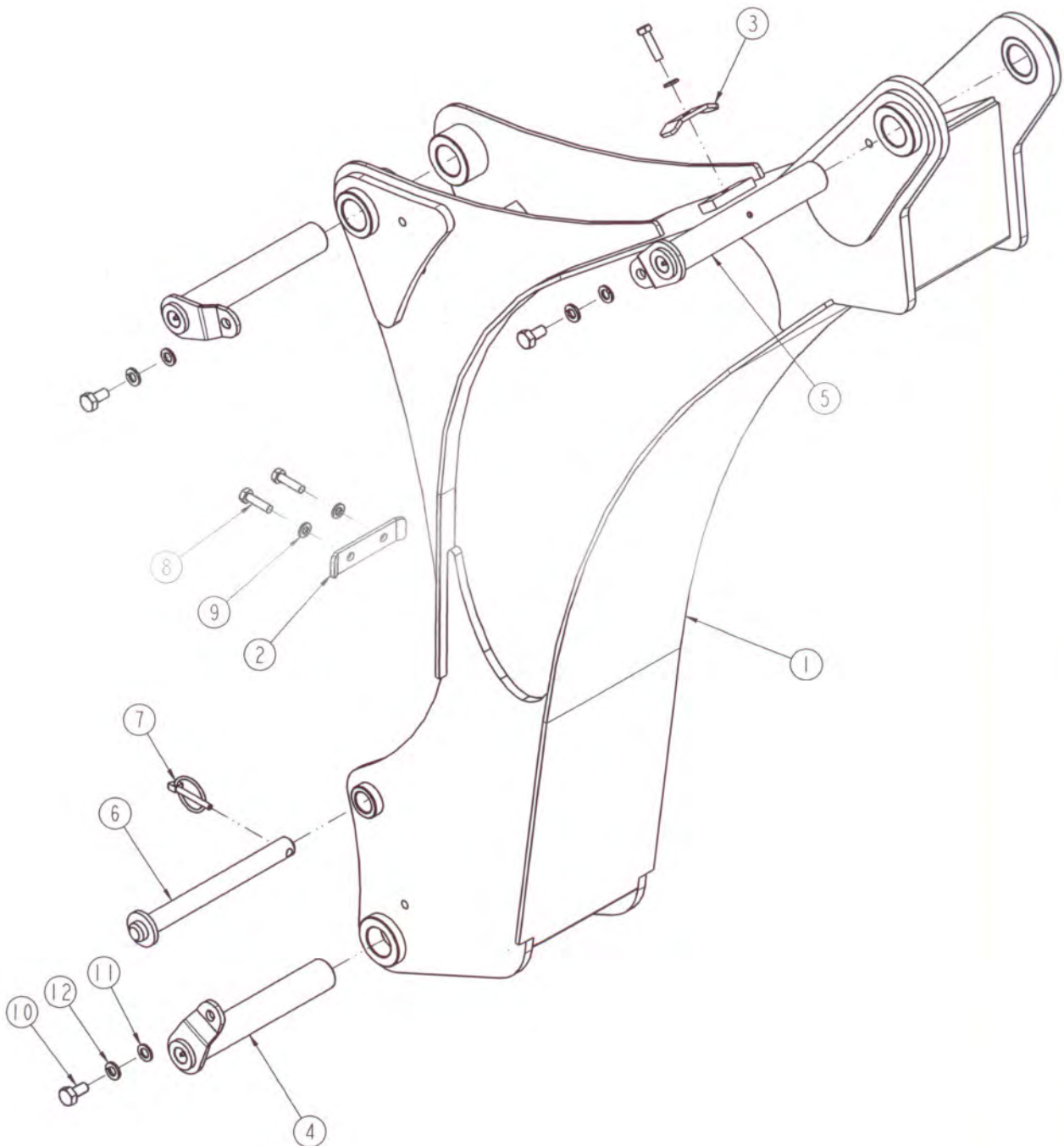


# SWING FRAME ASSEMBLY

## (P/N:BSF4A)

| NO. | PART NUMBER | PART NAME     | DESCRIPTION | Q'TY | REMARK |
|-----|-------------|---------------|-------------|------|--------|
| 1   | BSF66A-0000 | SWING FRAME   |             | 1    |        |
| 2   | BSF40-1700  | PIN           |             | 2    |        |
| 3   | BSF40-0020  | PIN           | ∅25         | 1    |        |
| 4   | BSF40-1900  | PIN           |             | 1    |        |
| 5   | BSF40-1930  | SHIM          | 3.2t        | 1    |        |
| 6   | BSF66A-1940 | SHIM          | 6t          | 1    |        |
| 7   | BSF40-190A  | PIN           |             | 1    |        |
| 8   | BSF40-1950  | SHIM          | 10t         | 1    |        |
| 9   | P32B-1200   | PIN           |             | 1    |        |
| 10  | PR30045     | R-PIN         | ∅3          | 1    |        |
| 11  | BH08D6125Z  | BOLT(10.9T)   | M8x65L      | 2    |        |
| 12  | WP08M       | PLAIN WASHER  | M8          | 2    |        |
| 13  | WS08M       | SPRING WASHER | M8          | 2    |        |
| 14  | NH08125Z    | NUT           | M8          | 2    |        |
| 15  | BH1055150Z  | BOLT(10.9T)   | M10x25L     | 3    |        |
| 16  | WP10M       | PLAIN WASHER  | M10         | 3    |        |
| 17  | WS10M       | SPRING WASHER | M10         | 3    |        |
| 18  | DB326N020   | DU BUSH       | ∅32x∅36x30L | 2    |        |

# BOOM LOWER ASSEMBLY

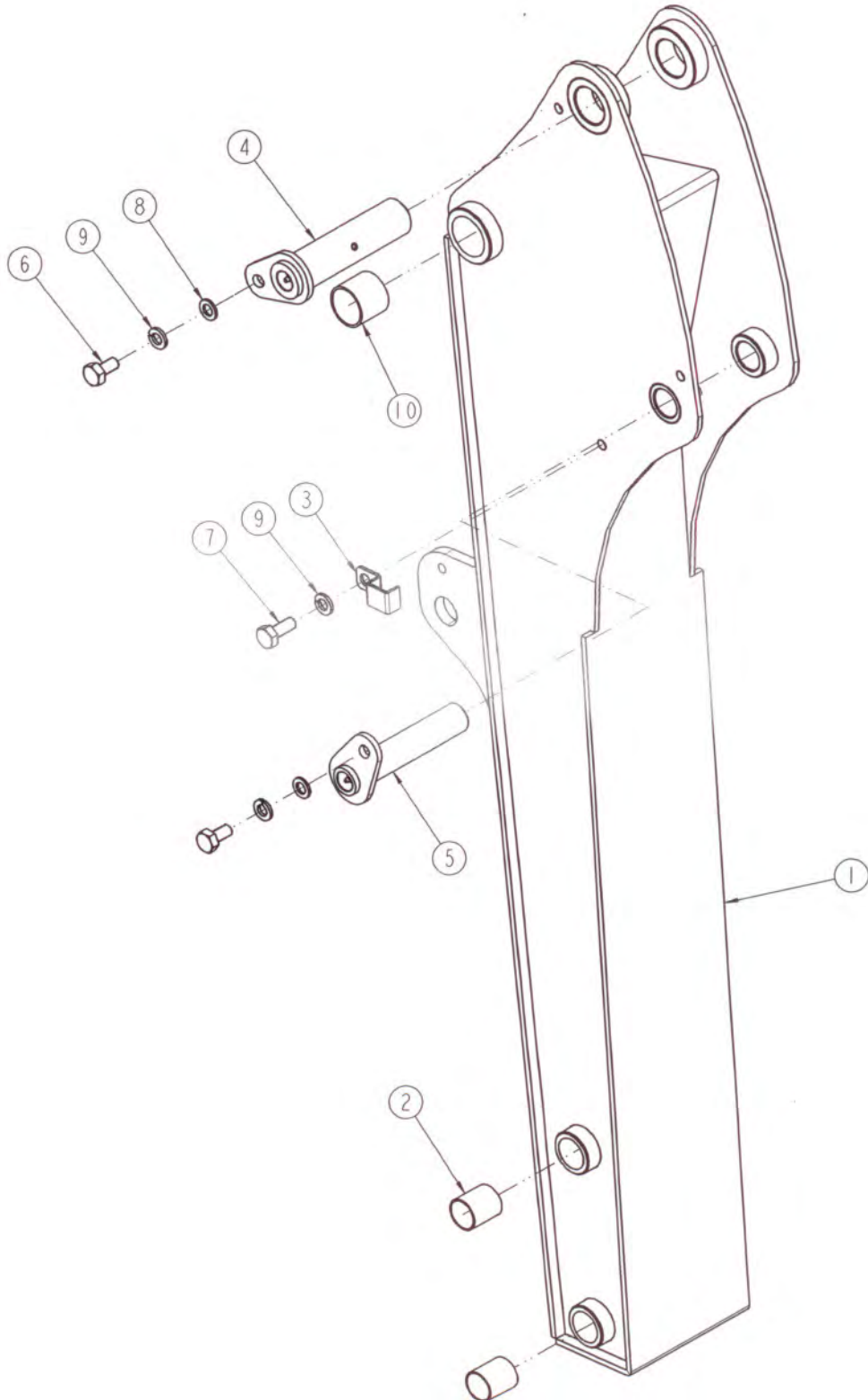


# BOOM LOWER ASSEMBLY

(P/N:BBL76C)

| NO. | PART NUMBER  | PART NAME       | DESCRIPTION | Q'TY | REMARK |
|-----|--------------|-----------------|-------------|------|--------|
| 1   | BBL76C-0000  | BOOM-LOWER      |             | 1    |        |
| 2   | BBL66A-0010  | HOSE CLAMP LOW  | 4†          | 1    |        |
| 3   | BBL66A-002A  | HOSE CLAMP HIGH | 4†          | 1    |        |
| 4   | P32A-1900    | PIN             |             | 2    |        |
| 5   | P32A-2050    | PIN             |             | 1    |        |
| 6   | BBL76C-5600  | PIN             |             | 1    |        |
| 7   | AL20-98-9990 | LINK PIN        |             | 1    |        |
| 8   | BH0866125Z   | BOLT(10.9T)     | M8x30L      | 3    |        |
| 9   | WS08M        | SPRING WASHER   | M8          | 3    |        |
| 10  | BH1044150Z   | BOLT(10.9T)     | M10x20L     | 3    |        |
| 11  | WP10M        | PLAIN WASHER    | M10         | 3    |        |
| 12  | WS10M        | SPRING WASHER   | M10         | 3    |        |

# BOOM HIGH ASSEMBLY

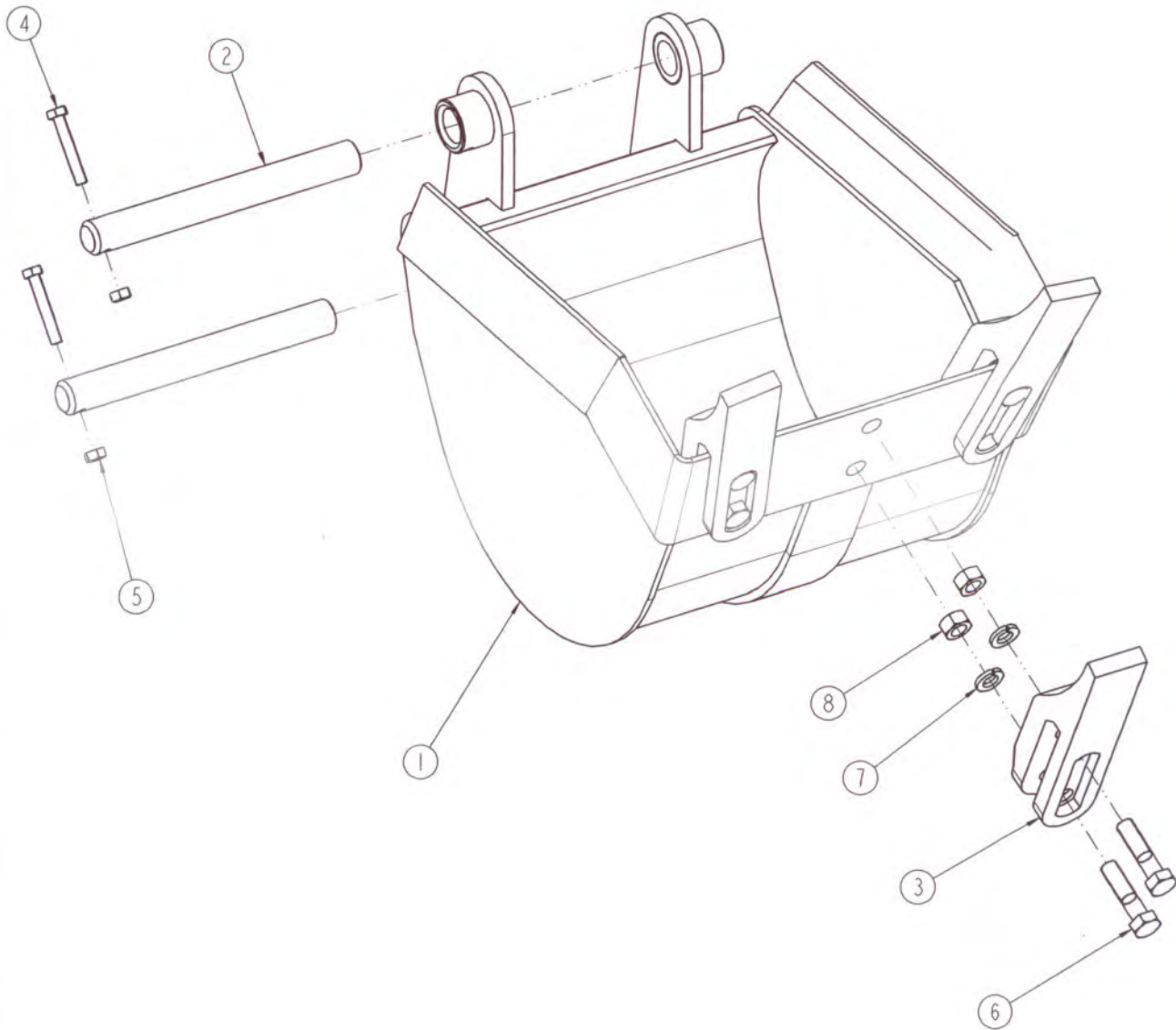


# BOOM HIGH ASSEMBLY

(P/N:BBH76C)

| NO. | PART NUMBER | PART NAME     | DESCRIPTION | Q'TY | REMARK |
|-----|-------------|---------------|-------------|------|--------|
| 1   | BBH76C-0000 | BOOM-HI       |             | 1    |        |
| 2   | DB256N015   | DU BUSH       | ∅25x∅28x30L | 4    |        |
| 3   | BBH76C-1080 | HOLDER        | 2.3†        | 2    |        |
| 4   | P32B-1200   | PIN           |             | 1    |        |
| 5   | P25B-120A   | PIN           |             | 1    |        |
| 6   | BH1044150Z  | BOLT(10.9T)   | M10x20L     | 2    |        |
| 7   | BH1055150Z  | BOLT(10.9T)   | M10x25L     | 2    |        |
| 8   | WP10M       | PLAIN WASHER  | M10         | 2    |        |
| 9   | WS10M       | SPRING WASHER | M10         | 4    |        |
| 10  | DB326N020   | DU BUSH       | ∅32x∅36x30L | 2    |        |

# BUCKET ASSEMBLY(BBK40B)



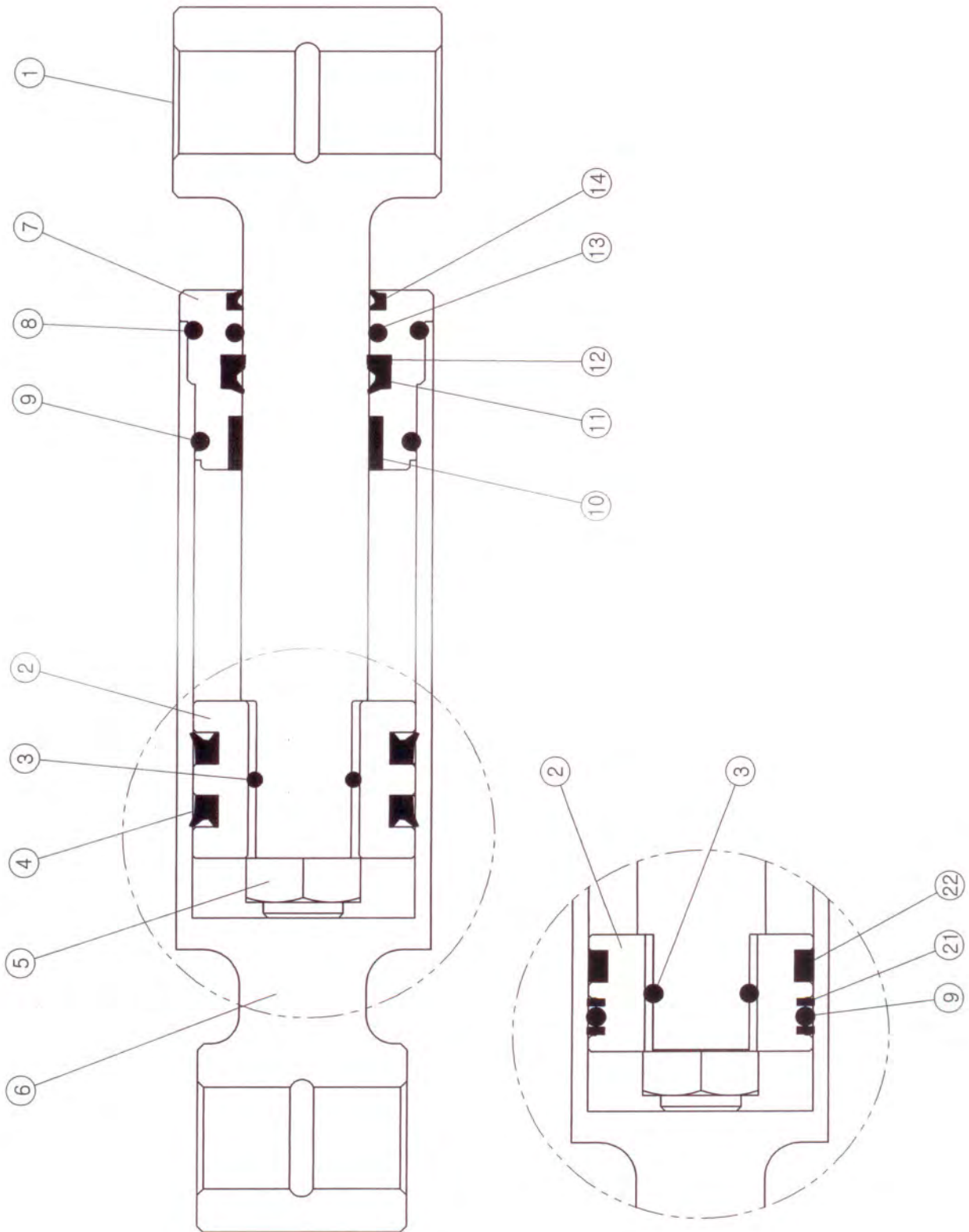








# CYLINDER ASSEMBLY



# CYLINDER ASSEMBLY

| NO. | PART NUMBER     | PART NAME    | Q'ty          |               |               |               |               | REMARK  |
|-----|-----------------|--------------|---------------|---------------|---------------|---------------|---------------|---------|
|     |                 |              | BH76C-09-8100 | BH76C-09-8300 | C7600-09-8500 | BH76C-09-9000 | C7600-09-9500 |         |
| 1   | BH76C-09-8010   | ROD          | 1             | -             | -             | -             | -             |         |
|     | BH76C-09-8310   |              | -             | 1             | -             | -             | -             |         |
|     | C7600-09-8510   |              | -             | -             | 1             | -             | -             |         |
|     | BH76C-09-9010   |              | -             | -             | -             | 1             | -             |         |
|     | C7600-09-9510   |              | -             | -             | -             | -             | 1             |         |
| 2   | BH76C-09-8020   | PISTON       | 1             | 1             | -             | -             | -             |         |
|     | C7600-09-8520   |              | -             | -             | 1             | -             | -             |         |
|     | BH76C-09-9020   |              | -             | -             | -             | 1             | -             |         |
|     | C7600-09-9520   |              | -             | -             | -             | -             | 1             |         |
| 3   | 1BP16           | O-RING       | -             | -             | 1             | -             | -             |         |
|     | 1BP18           |              | 1             | 1             | -             | 1             | 1             |         |
| 4   | ODI 65x50x10    | U-PACKING    | 2             | 2             | -             | -             | -             |         |
|     | ODI 50x35x9     |              | -             | -             | -             | 2             | -             |         |
| 5   | ALK28-05-1150   | NUT          | 1             | 1             | 1             | 1             | 1             | M20x2.0 |
| 6   | BH76C-09-8130   | TUBE         | 1             | -             | -             | -             | -             |         |
|     | BH76C-09-8330   |              | -             | 1             | -             | -             | -             |         |
|     | C7600-09-8530   |              | -             | -             | 1             | -             | -             |         |
|     | BH76C-09-9030   |              | -             | -             | -             | 1             | -             |         |
|     | C7600-09-9530   |              | -             | -             | -             | -             | 1             |         |
| 7   | C7600-09-8040   | COVER ROD    | 1             | 1             | -             | -             | -             |         |
|     | ALK28-05-1030   |              | -             | -             | 1             | 1             | -             |         |
|     | C7600-09-9540   |              | -             | -             | -             | -             | 1             |         |
| 8   | 1BG65           | O-RING       | 1             | 1             | -             | -             | -             |         |
|     | 1BG50           |              | -             | -             | 1             | 1             | -             |         |
|     | 1BG60           |              | -             | -             | -             | -             | 1             |         |
| 9   | 1BP55           | O-RING       | 1             | 1             | -             | -             | -             |         |
|     | 1BP44           |              | -             | -             | 1             | 1             | -             | ~G80116 |
|     | 1BP50A          |              | -             | -             | 2             | 1             | -             | G80117~ |
|     |                 |              | -             | -             | -             | -             | 1             | ~G80116 |
| 10  | DU3020          | DU BUSH      | 1             | 1             | 1             | 1             | -             |         |
|     | DU2510          |              | -             | -             | -             | -             | 2             |         |
| 11  | ISI 30x40x6     | U-PACKING    | 1             | 1             | 1             | 1             | -             |         |
|     | ISI 25x33x5     |              | -             | -             | -             | -             | 1             |         |
| 12  | BRT3 30x40x2    | BACK UP RING | 1             | 1             | 1             | 1             | -             |         |
|     | BRT3 25x33x2    |              | -             | -             | -             | -             | 1             |         |
| 13  | 1BP30           | O-RING       | 1             | 1             | 1             | 1             | -             |         |
|     | 1BP25           |              | -             | -             | -             | -             | 1             |         |
| 14  | LBI 30x38x5/6.5 | DUST SEAL    | 1             | 1             | 1             | 1             | -             |         |
|     | LBI 25x33x4.5/6 |              | -             | -             | -             | -             | 1             |         |
| 21  | T3P44           | BACK UP RING | -             | -             | 2             | -             | -             | G80117~ |
|     | BRT3 50x60x2    |              | -             | -             | -             | -             | 2             | G80117~ |
| 22  | WR 50x45x8      | WEARING      | -             | -             | 1             | -             | -             | G80117~ |
|     | WR 60x55x10     |              | -             | -             | -             | -             | 1             | G80117~ |

# DECAL & MANUAL

