

PARTS MANUAL

BH66



BACKHOE
(3Point-Link Type)

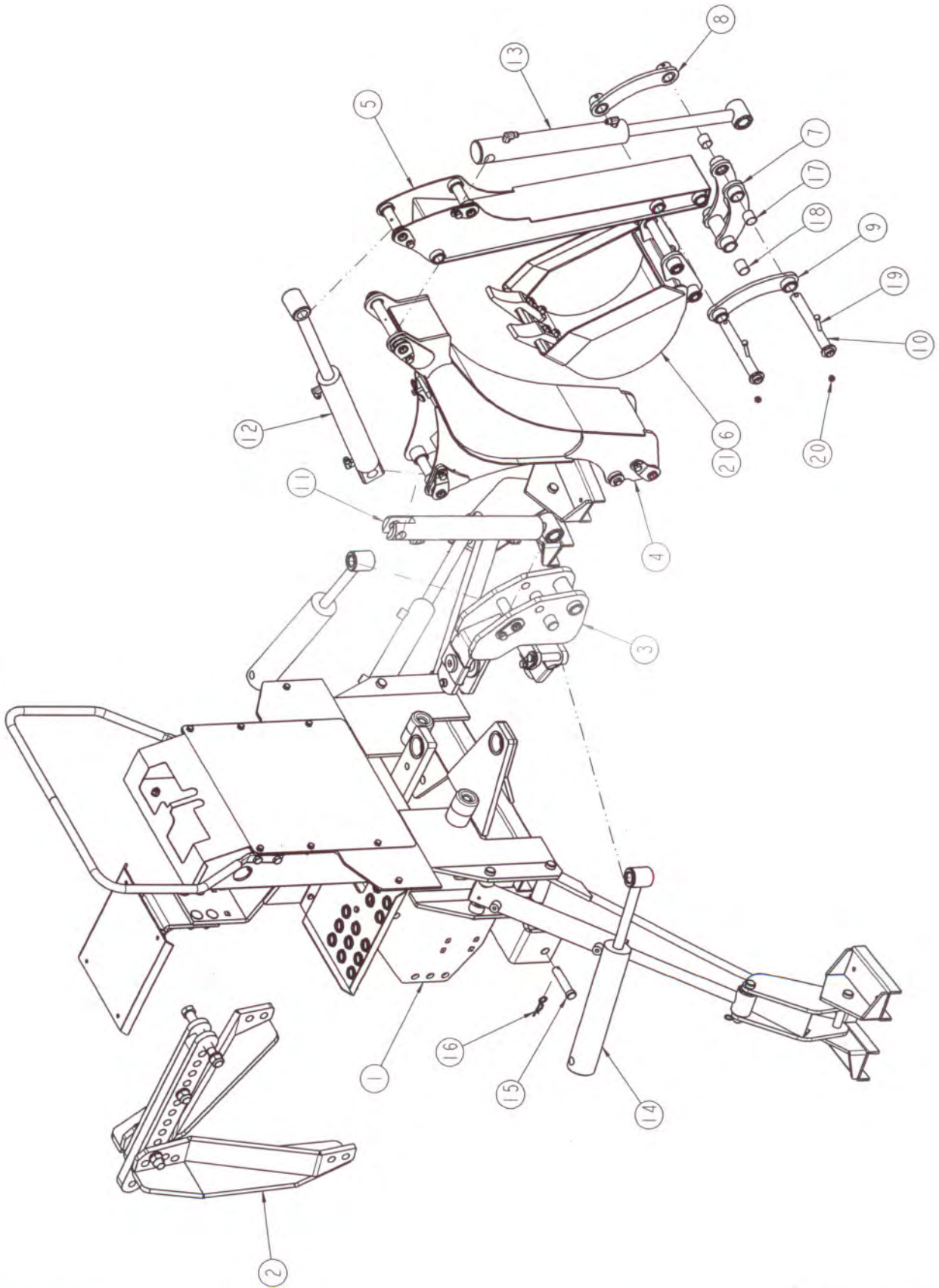
BH66D-PM-01
Printed 2008, 10, 08

Table of Contents

(BH66/3POINT-LINK)

Assembly -----	2
Main Frame Assembly -----	4
3Point Link Assembly -----	6
Swing Frame Assembly -----	8
Boom Lower Assembly -----	10
Boom High Assembly -----	12
Bucket Assembly -----	14
Hydraulic Assembly -----	16
Cylinder Assembly -----	18
Decal & Manual -----	20

ASSEMBLY

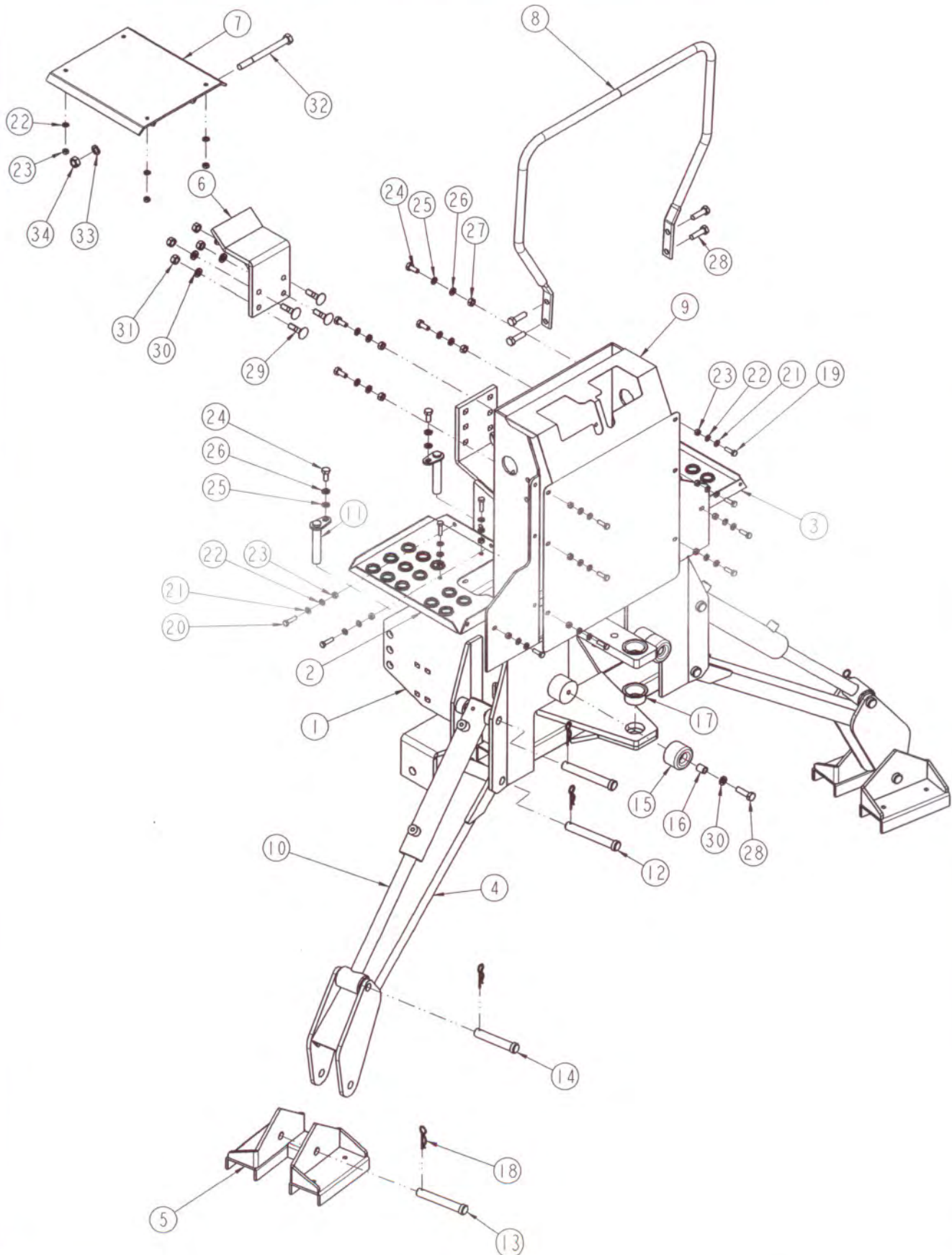


ASSEMBLY

(P/N: BH66D)

NO.	PART NUMBER	PART NAME	DESCRIPTION	Q'TY	REMARK
1	BMF4A	MAIN FRAME		1	
2	BMK4B	3POINT LINK ASSY		1	
3	BSF66A	SWING-FRAME ASSY		1	
4	BBL66A	BOOM-LOWER ASSY		1	
5	BBH66A	BOOM-HIGH ASSY		1	
6	BBK66A	BUCKET ASSY(10")		1	STANDARD
7	BBK66A-5100	ROD-BUCKET		1	
8	BBK66A-5300	LINK LH		1	
9	BBK66A-5400	LINK RH		1	
10	BBK66A-5500	PIN		2	
11	BH66A-09-8100	BOOM CYLINDER		1	
12	BH66A-09-8300	DIPPER CYLINDER		1	
13	BH66A-09-9000	BUCKET CYLINDER		1	
14	BH66A-09-950B	SWING CYLINDER		2	
15	BMF40-0040	PIN	∅20	2	
16	PR30045	R-PIN	∅3	2	
17	DB255N015	DU BUSH	∅25x∅28x25L	2	
18	DB256N015	DU BUSH	∅25x∅28x30L	2	
19	BH08AA125Z	BOLT(10.9T)	M8x50L	2	
20	NL08125Z	LOCK NUT	M8	2	
21	BBK16B	BUCKET ASSY(16"HD)		1	OPTION
	BBK40C	BUCKET ASSY(13"HD)		1	

MAIN FRAME ASSEMBLY

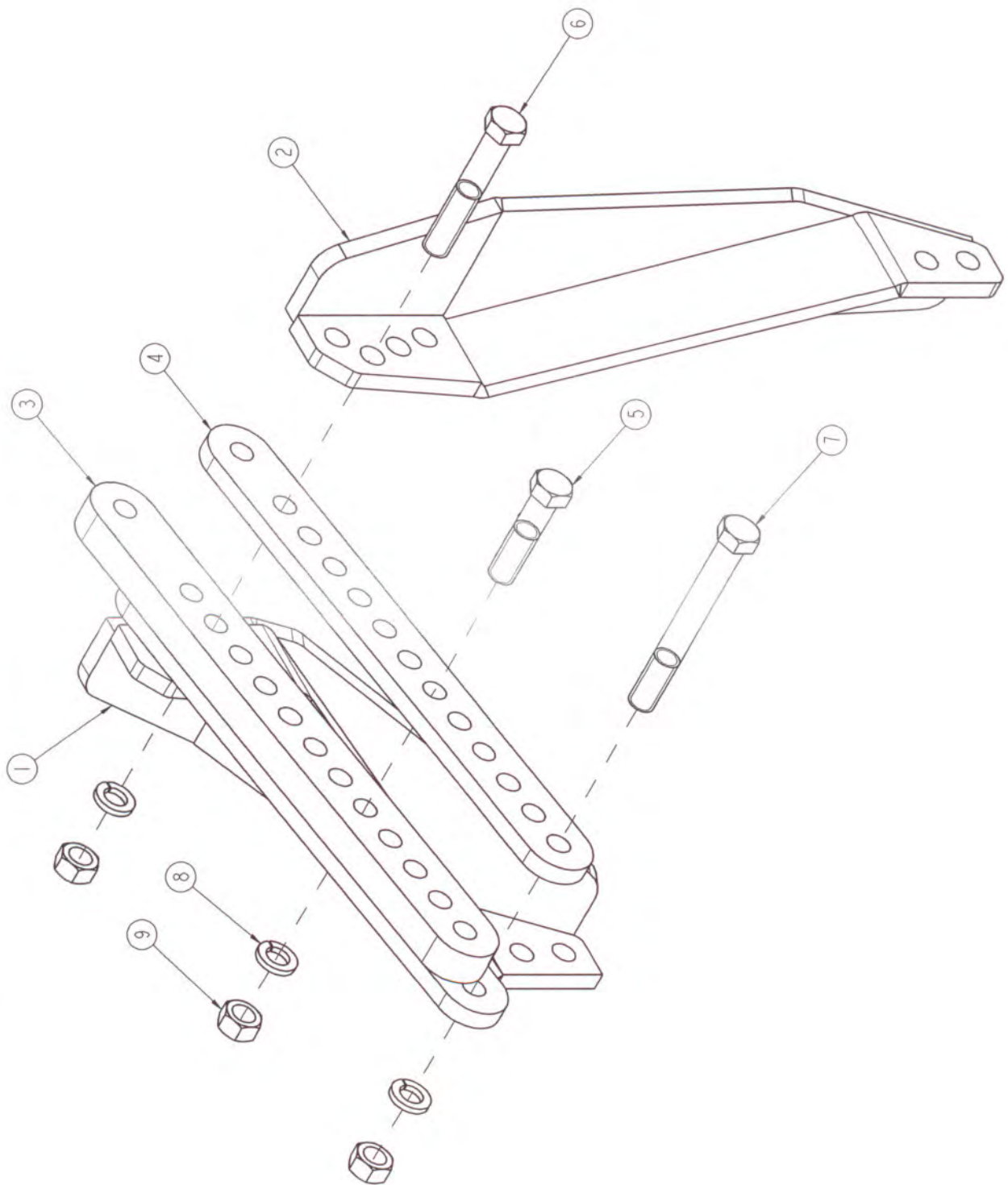


MAIN FRAME ASSEMBLY

(P/N:BMF4A)

NO.	PART NUMBER	PART NAME	DESCRIPTION	Q'TY	REMARK
1	BMF4A-0000	MAIN FRAME		1	
2	BMF40-3010	FOOTSTOOL, RH	3.2†	1	
3	BMF40-3020	FOOTSTOOL, LH	3.2†	1	
4	BMF40-280A	STABILIZER LEG		2	
5	BMF40-290A	STABILIZER		2	
6	BMF40-3200	BRACKET		1	
7	BMF40-330A	SEAT BRACKET		1	
8	BMF40-5100	HANDLER		1	
9	BMF40-502A	COVER	1.6†	1	
10	C7600-09-8500	STABILIZER CYLINDER		2	
11	BMF40-0100	PIN		2	
12	BMF40-0010	PIN	∅25	4	
13	BMF40-0020	PIN	∅20	2	
14	BMF40-0030	PIN	∅20	2	
15	BMF40-1150	STOPPER	∅60	2	
16	BMF40-1160	SPACER	∅17.3x2.3†	2	
17	DB95T025	DU BUSH	∅45x25L	2	
18	PR30045	R-PIN	∅3	8	
19	BH0855125X	BOLT(10.9T)	M8x25L	8	
20	BH0866125Z	BOLT(10.9T)	M8x30L	8	
21	WP08M	PLAIN WASHER	M8	16	
22	WS08M	SPRING WASHER	M8	20	
23	NH08125Z	NUT	M8	20	
24	BH1055150Z	BOLT(10.9T)	M10x25L	6	
25	WP10M	PLAIN WASHER	M10	6	
26	WS10M	SPRING WASHER	M10	6	
27	NH10150Z	NUT	M10	4	
28	BH1288175Z	BOLT(10.9T)	M12x40L	6	
29	BR1299175Z	BOLT(10.9T)	M12x45L	4	
30	WS12M	SPRING WASHER	M12	10	
31	NH12175Z	NUT	M12	8	
32	BH14W8200Z	BOLT(10.9T)	M14x160L	1	
33	WP14M	PLAIN WASHER	M14	1	
34	NL14200Z	LOCK NUT	M14	1	

3POINT LINK ASSEMBLY

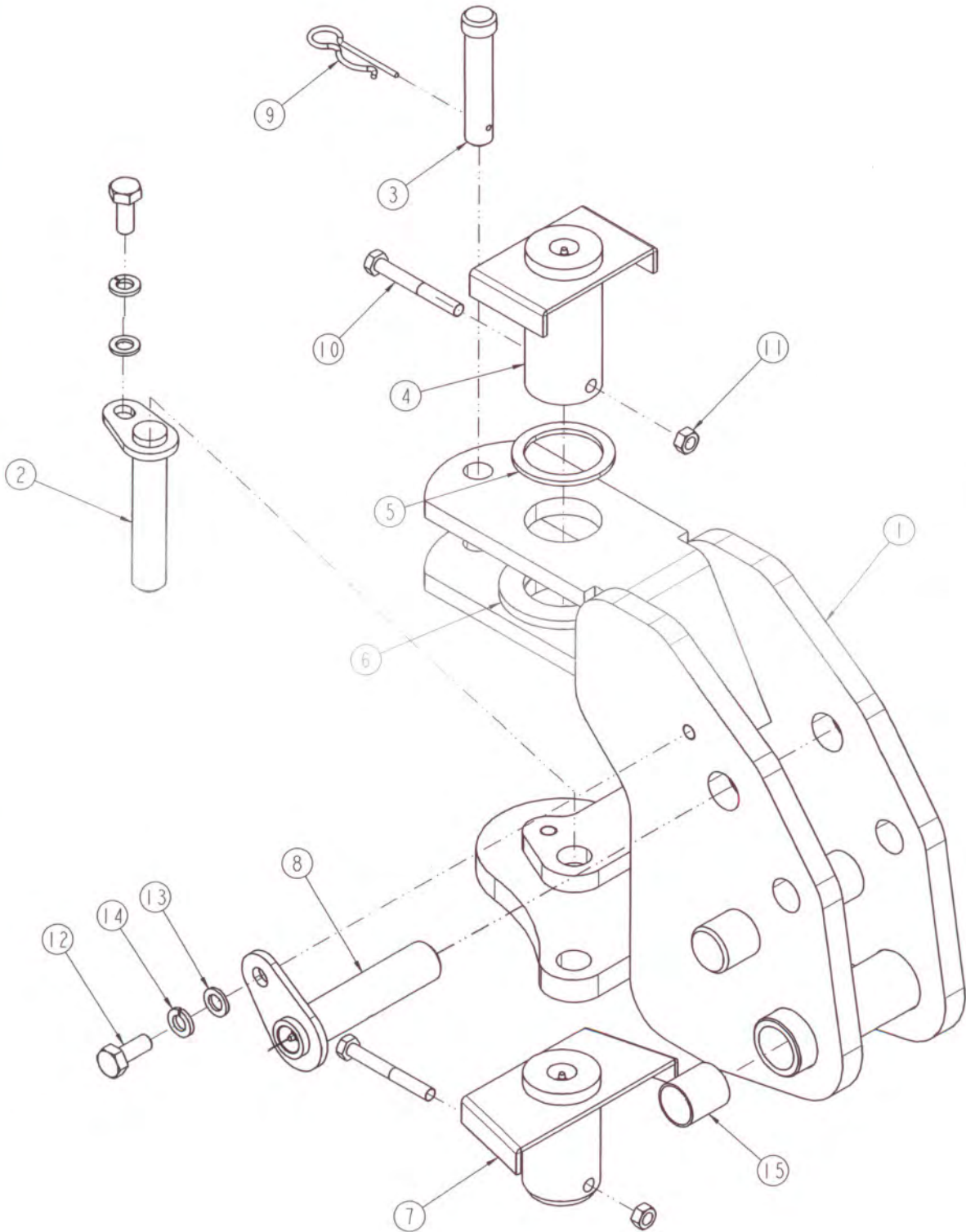


3POINT LINK ASSEMBLY

(P/N:BMK4B)

NO.	PART NUMBER	PART NAME	DESCRIPTION	Q'TY	REMARK
1	BMK4B-1100	BRACKET HITCH		1	
2	BMK4B-1200	BRACKET HITCH		1	
3	BMK4B-2110	LINK	30†	1	
4	BMK4B-2120	LINK	16†	2	
5	BH201A250Z	BOLT(10.9T)	M20x90L	1	
6	BH20QD250Z	BOLT(10.9T)	M20x130L	1	
7	BH20180A250Z	BOLT(10.9T)	M20x180L	1	
8	WS20M	SPRING WASHER	M20	3	
9	NH20250Z	NUT	M20	3	

SWING FRAME ASSEMBLY

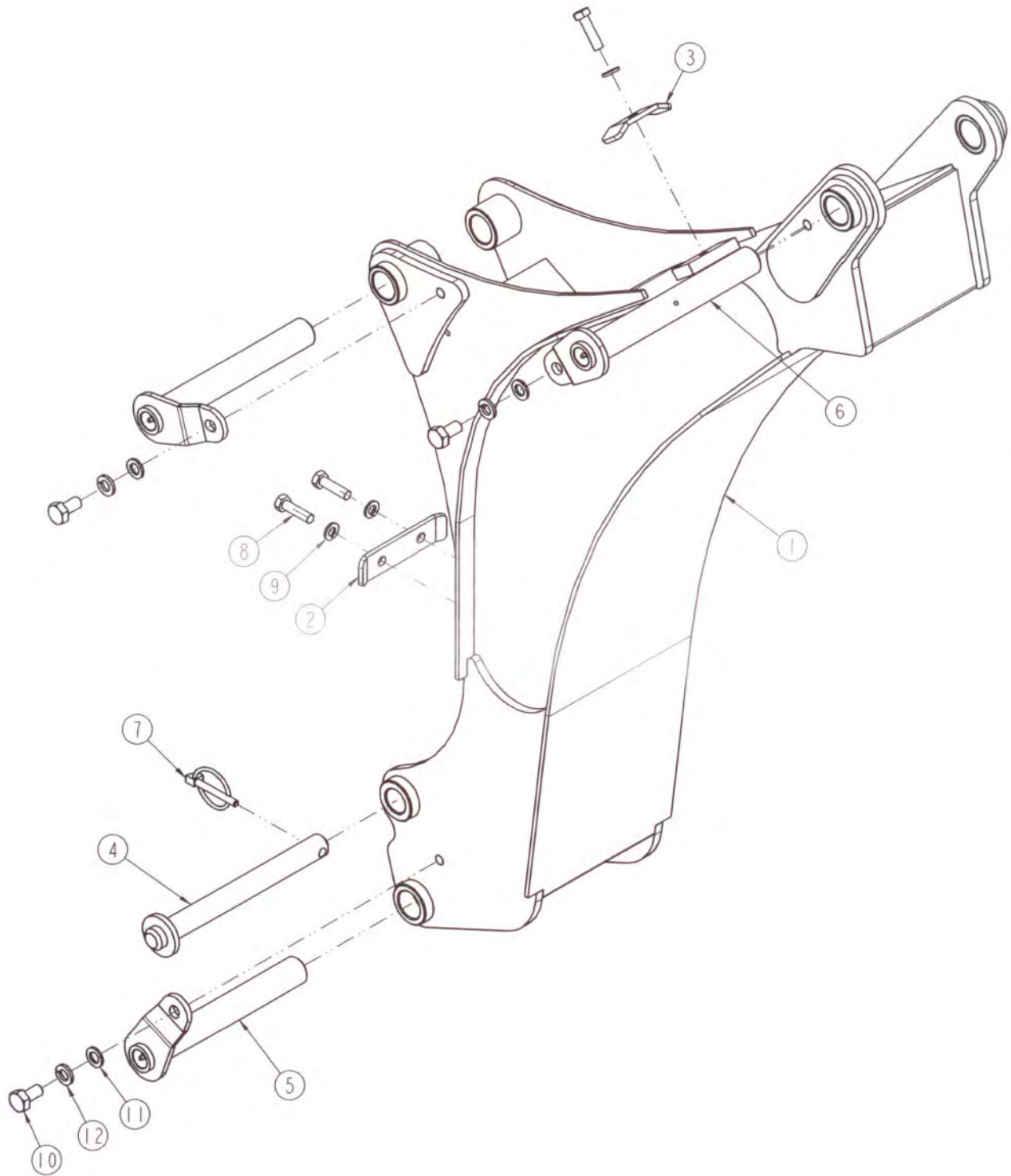


SWING FRAME ASSEMBLY

(P/N:BSF66A)

NO.	PART NUMBER	PART NAME	DESCRIPTION	Q'TY	REMARK
1	BSF66A-0000	SWING FRAME		1	
2	BSF860-0020	PIN		2	
3	BSF860-0030	PIN	∅20x90L	1	
4	BSF860-1900	PIN		1	
5	BSF40-1930	SHIM	3.2†	1	
6	BSF66A-1940	SHIM	6†	1	
7	BSF66A-2000	PIN		1	
8	P25B-105A	PIN		1	
9	PR30045	R-PIN	∅3	1	
10	BH08D6125Z	BOLT(10.9T)	M8x65L	2	
11	NL08125Z	LOCK NUT	M8	2	
12	BH1055150Z	BOLT(10.9T)	M10x25L	3	
13	WPI0M	PLAIN WASHER	M10	3	
14	WS10M	SPRING WASHER	M10	3	
15	DB256N015	DU BUSH	∅25x∅28x30L	2	

BOOM LOWER ASSEMBLY

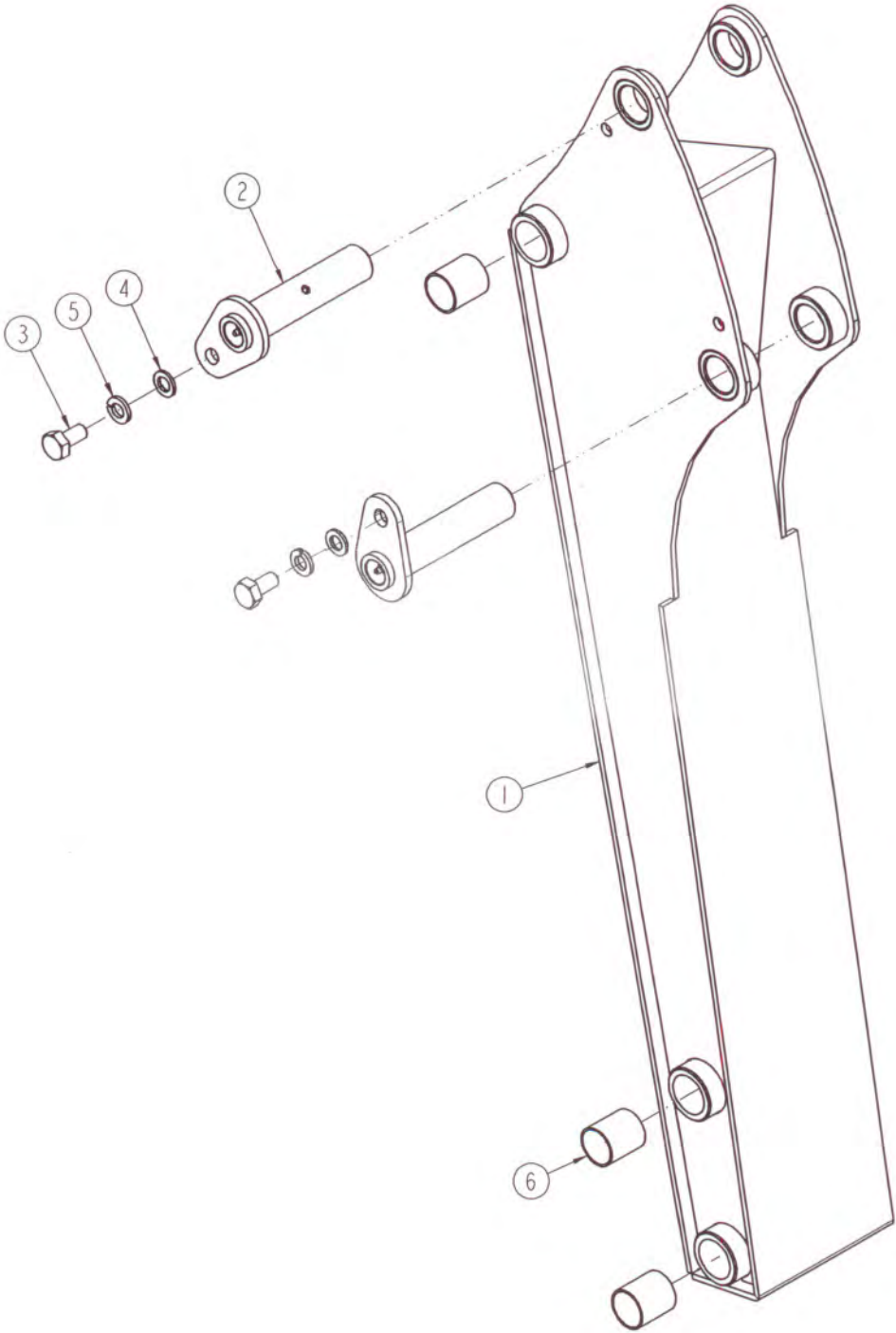


BOOM LOWER ASSEMBLY

(P/N:BBL66A)

NO.	PART NUMBER	PART NAME	DESCRIPTION	Q'TY	REMARK
1	BBL66A-0000	BOOM-LOWER		1	
2	BBL66A-0010	HOSE CLAMP LOW	4+	1	
3	BBL66A-002A	HOSE CLAMP HIGH	4+	1	
4	BBL66A-5600	PIN		1	
5	P25A-1750	PIN		2	
6	P25A-1900	PIN		1	
7	AL20-98-9990	LINK PIN		1	
8	BH0866125Z	BOLT(10.9T)	M8x30L	3	
9	WS08M	SPRING WASHER	M8	3	
10	BH1044150Z	BOLT(10.9T)	M10x20L	3	
11	WP10M	PLAIN WASHER	M10	3	
12	WS10M	SPRING WASHER	M10	3	

BOOM HIGH ASSEMBLY

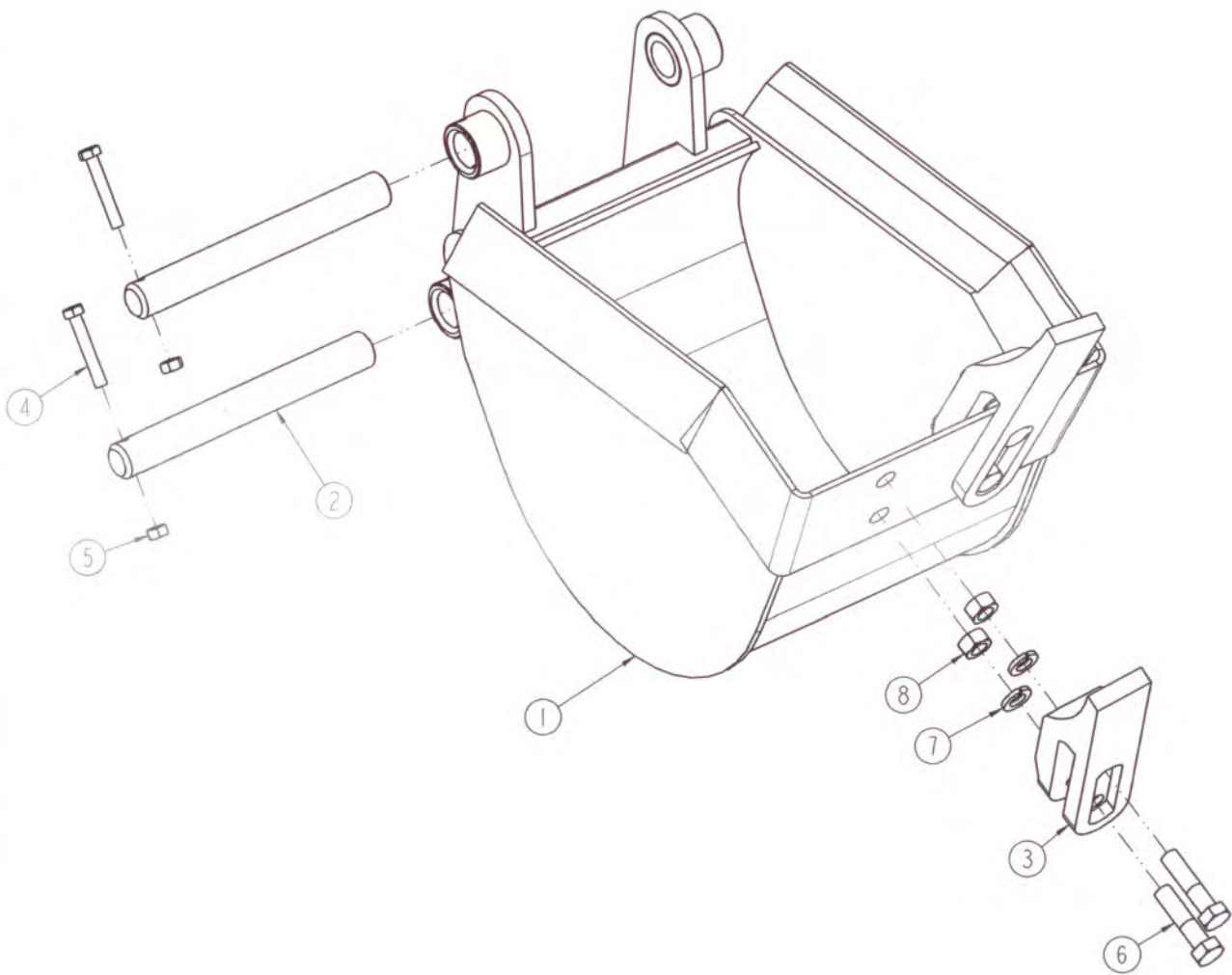


BOOM HIGH ASSEMBLY

(P/N:BBH66A)

NO.	PART NUMBER	PART NAME	DESCRIPTION	Q'TY	REMARK
1	BBH66A-0000	BOOM-HIGH		1	
2	P25B-105A	PIN		2	
3	BH1044150Z	BOLT(10.9T)	M10x20L	2	
4	WP10M	PLAIN WASHER	M10	2	
5	WS10M	SPRING WASHER	M10	2	
6	DB256N015	DU BUSH	∅25x∅28x30L	6	

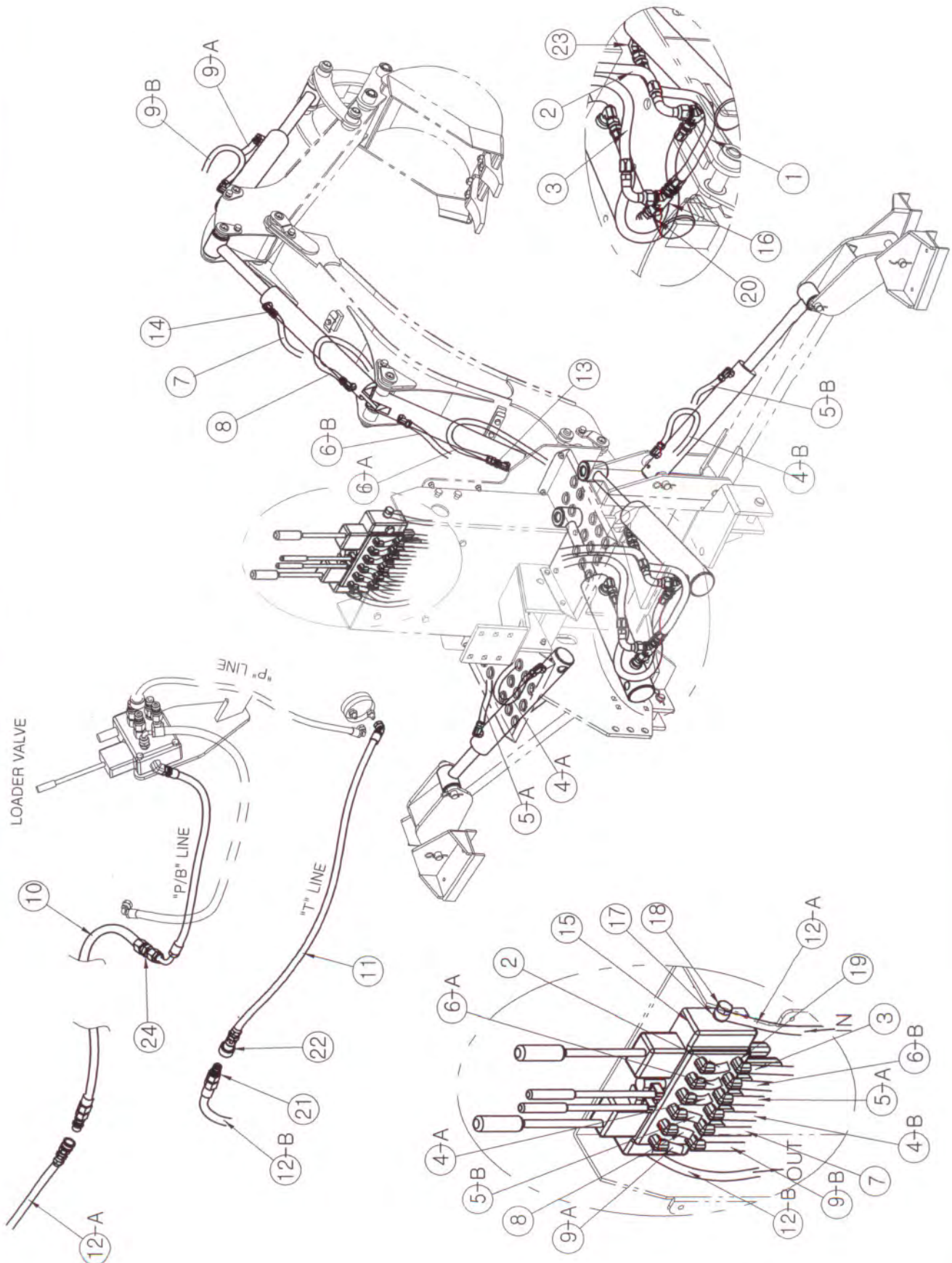
BUCKET ASSEMBLY



BUCKET ASSEMBLY

NO.	PART NUMBER	PART NAME	DESCRIPTION	Q'TY	REMARK
1	BBK66A-0000	BUCKET		1	10"
	BBK40A-0000			1	13" HD
	BBK16B-0000			1	16" HD
2	BBK66A-0010	PIN	Ø25x204L	2	10" / 16"HD
	BBK40C-0010		Ø25x209L	2	13" HD
3	ALN47-21-9000	TOOTH		2	10"
				3	13" HD
				4	16" HD
4	BH08AA125Z	BOLT(10.9T)	M8x50L	2	
5	NL08125Z	LOCK NUT	M8	2	
6	BH12A6175Z	BOLT(10.9T)	M12x50L	4	10"
				6	13" HD
				8	16" HD
7	WS12M	SPRING WASHER	M12	4	10"
				6	13" HD
				8	16" HD
8	NH12175Z	NUT	M12	4	10"
				6	13" HD
				8	16" HD

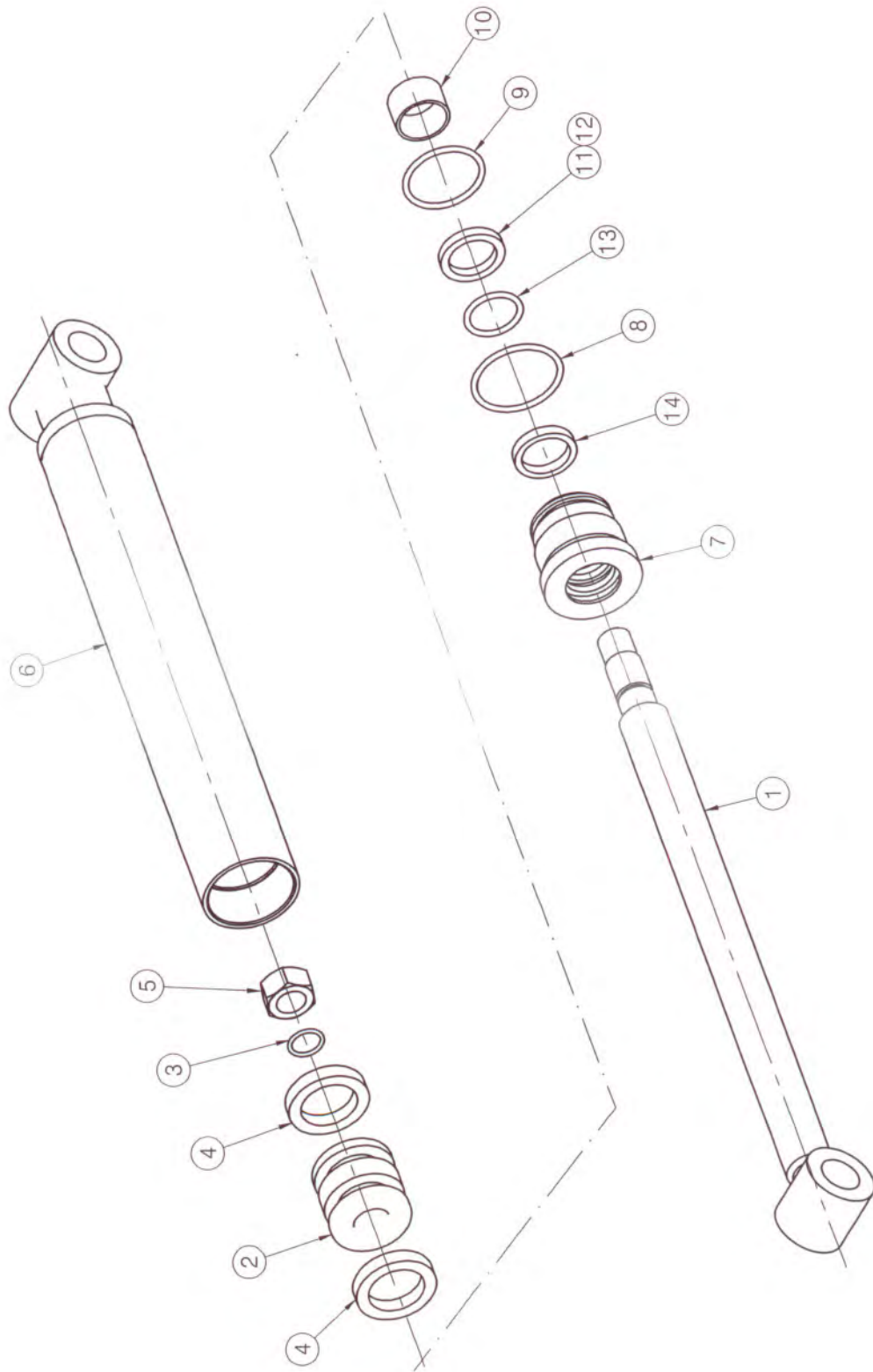
HYDRAULIC PARTS



HYDRAULIC PARTS

NO.	PART NAME	PART NUMBER	Q'TY	REMARK
1	HOSE ASS'Y	1P41-0530	2	
2	HOSE ASS'Y	1P41-0890	1	
3	HOSE ASS'Y	1P41-0900	1	
4	HOSE ASS'Y	1P41-0910	2	
5	HOSE ASS'Y	1P41-0920	2	
6	HOSE ASS'Y	1P41-0720	2	
7	HOSE ASS'Y	1P41-0550	1	
8	HOSE ASS'Y	1P41-0930	1	
9	HOSE ASS'Y	1P41-0590	2	
10	HOSE ASS'Y	1P41-0750	1	
11	HOSE ASS'Y	1P41-0760	1	
12	HOSE ASS'Y	3P81-1330	2	
13	NIPPLE	BH66A-07-0010	1	
14	NIPPLE	BH66A-07-0020	1	
15	CONTROL VALVE	BH760-07-001A	1	
16	TEE NIPPLE	BH760-07-0030	2	
17	COPPER WASHER	BH760-07-004A	4	
18	BENJO NIPPLE	BH760-07-005A	2	
19	O-RING ELBOW	BH760-07-006A	12	
20	NIPPLE	BH760-07-0070	2	
21	Q-COUPLER(M)	ALK28-07-7200	2	
22	Q-COUPLER(F)	ALK28-07-7100	2	
23	ELBOW NIPPLE	ALK28-07-9500	2	
24	NIPPLE	BH66A-07-0030	1	

CYLINDER



CYLINDER ASSEMBLY

NO.	Part Number	Part Name	Q' ty					REMARK
			BH66A-09-8100	BH66A-09-8300	BH66A-09-8500	BH66A-09-9000	BH66A-09-9500	
1	BH66A-09-8010	ROD	1	-	-	-	-	
	BH66A-09-8310		-	1	-	-	-	
	BH66A-09-8510		-	-	1	-	-	
	BH66A-09-9010		-	-	-	1	-	
	BH66A-09-9510		1	-	-	-	1	
2	AL191-05-1120	PISTON	1	1	1	1		
	AL191-05-2120		-	-	-	-	1	
3	1BP18	O-RING	1	1	1	1	-	
	1BP20		-	-	-	-	1	
4	ODI 50x30x9	U-PACKING	2	2	2	2	-	
	ODI 60x45x9		-	-	-	-	2	
5	AL191-05-1150	NUT	1	1	1	1	-	
	AKU30-05-1150		-	-	-	-	1	
6	BH66A-09-8030	TUBE	1	-	-	-	-	
	BH66A-09-8330		-	1	-	-	-	
	BH66A-09-8530		-	-	1	-	-	
	BH66A-09-9030		-	-	-	1	-	
	BH66A-09-9530		-	-	-	-	1	
7	AL191-05-1220	COVER ROD	1	1	1	1	-	
	AL191-05-2220		-	-	-	-	1	
8	1BG50	O-RING	1	1	1	1	-	
	1BG60		-	-	-	-	1	
9	1BP30	O-RING	1	1	1	1	-	
	1BP25		-	-	-	-	1	
10	DU3020	DU BUSH	1	1	1	1	-	
	DU2510		-	-	-	-	1	
11	ISI 30x40x6	U-PACKING	1	1	1	1	-	
	ISI 25x33x5		-	-	-	-	1	
12	BRT3 30x40x2	BACK UP RING	1	1	1	1	-	
	BRT3 25x33x2		-	-	-	-	1	
13	1BP44	O-RING	1	1	1	1	-	
	1BP35		-	-	-	-	1	
14	LBI 30x38x5/6.5	DUST SEAL	1	1	1	1	-	
	LBI 25x33x4.5/6		-	-	-	-	1	
	SEAL KIT (INCLUDE 3,4,8,9, 11,12,13,14)		SEAL5030	SEAL5030	SEAL5030	SEAL5030	SEAL6025	

DECAL & MANUAL

