

PARTS MANUAL

NTC30-QB

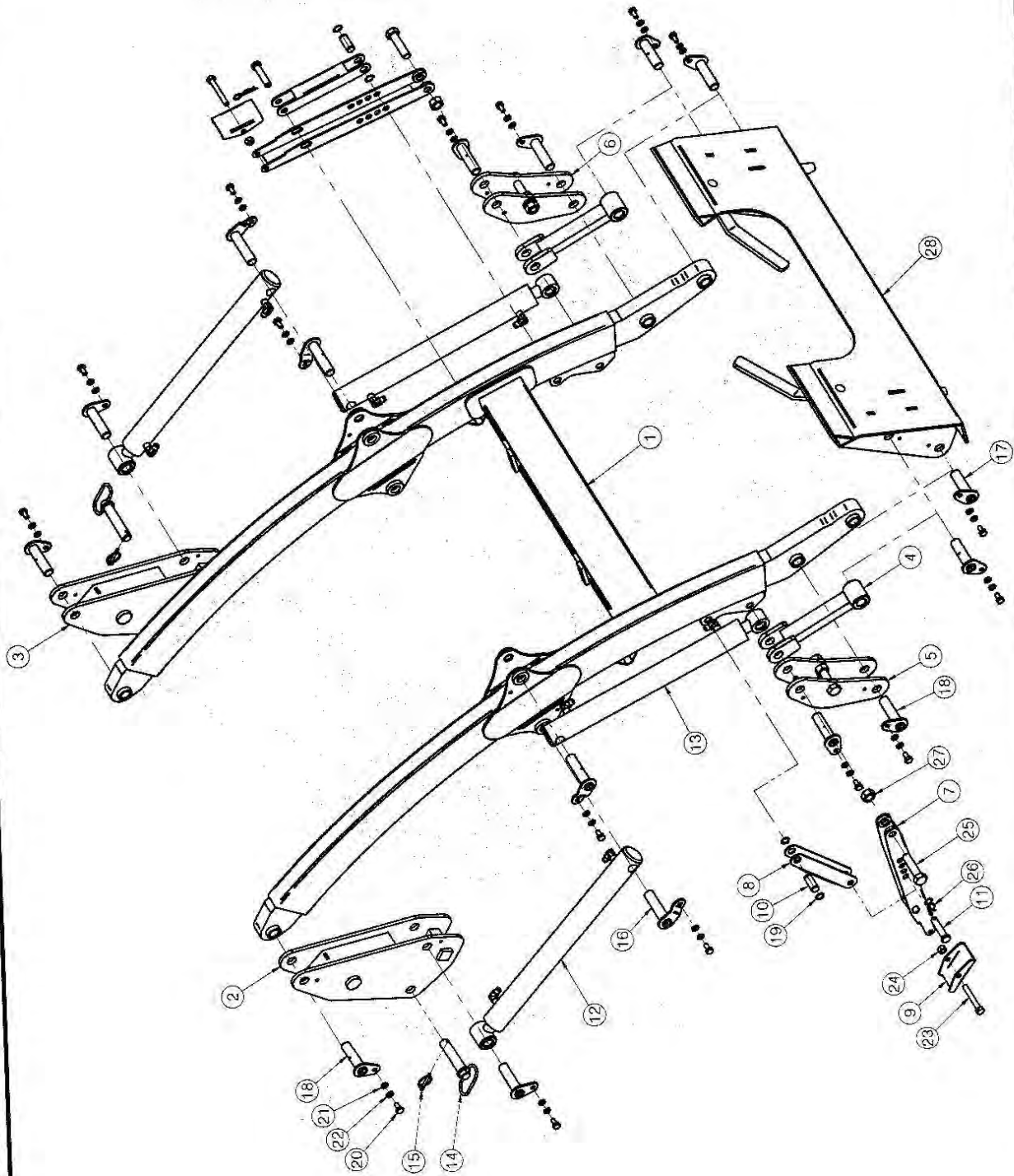


Front-End Loader

M07005

Printed 2007, 07, 19

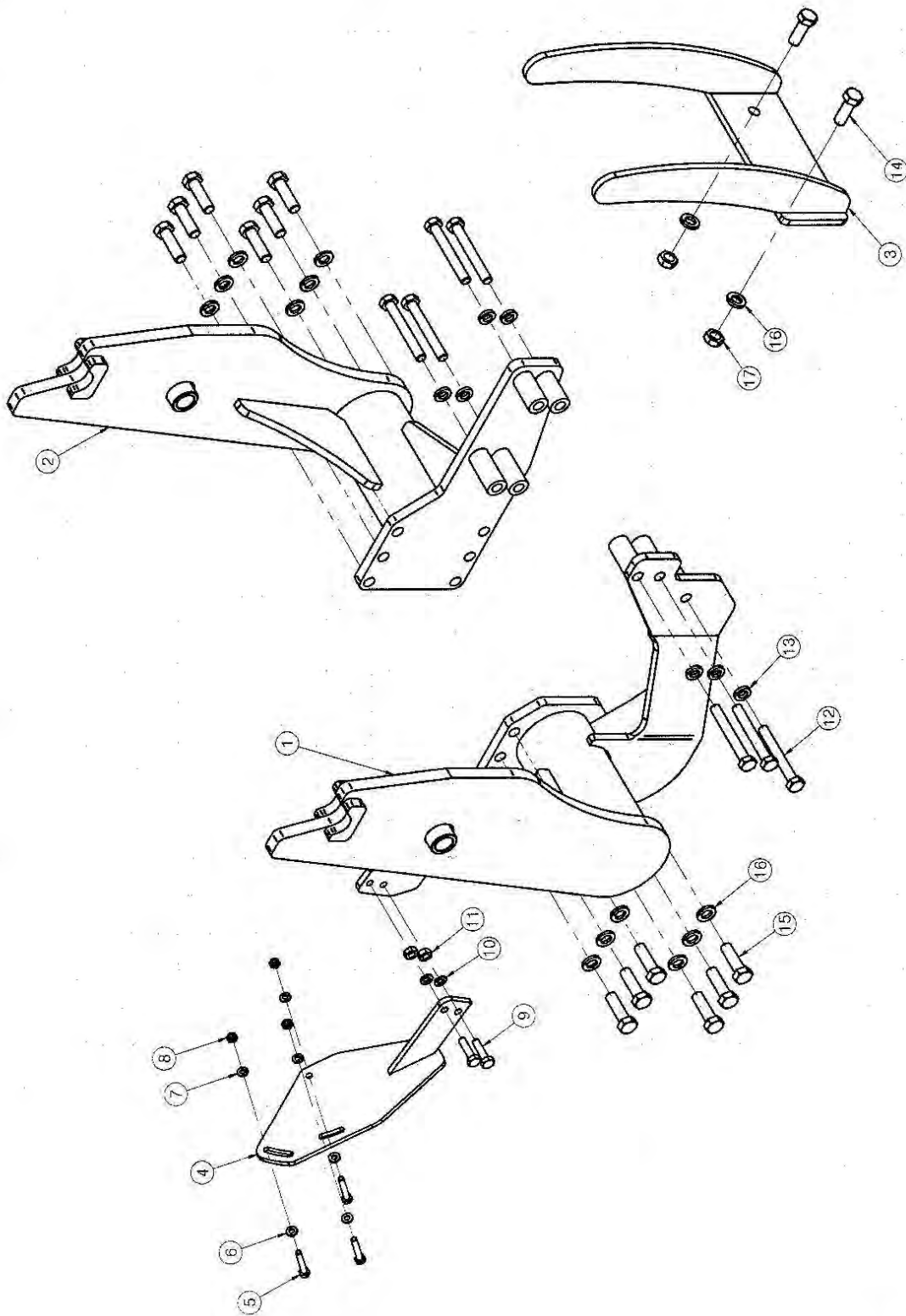
BOOM



BOOM

NO.	Part Number	Part Name	Description	Q'ty	REMARK
1	1850A-0000	BOOM		1	
2	1950A-3100	COLUMN-RH.		1	
3	1950A-3200	COLUMN-LH.		1	
4	1850A-4100	ROD-BUCKET		2	
5	1950A-4300	LINK BUCKET RH.		1	
6	1950A-4400	LINK BUCKET LH.		1	
7	1850A-8100	STAND		2	
8	1850A-8200	BRACKET	4t	2	
9	4060A-8400	BRACKET	4t	2	
10	4060A-8520	PIN	Ø20x48L	2	
11	4060A-8530	PIN	Ø25x80L	2	
12	1950A-8000	CYLINDER-BOOM		2	
13	1850A-9000	CYLINDER-BUCKET		2	
14	P25C-1030	PIN-LEVER	Ø25	2	
15	AL 20-98-9990	LINK PIN		2	
16	P25A-105A	PIN		4	
17	P25B-090A	PIN	Ø25	4	
18	P25B-095A	PIN	Ø25	8	
19	SN20M	SNAP RING	Ø20	4	
20	BH1044150Z	BOLT(10.9T)	M10x20L	16	
21	WP10M	PLAIN WASHER	M10	16	
22	WS10M	SPRING WASHER	M10	16	
23	BH1216175Z	BOLT(10.9T)	M12x90L	2	
24	NL12175Z	LOCK NUT	M12	2	
25	BH20GA250Z	BOLT(10.9T)	M20x80L	2	
26	PR30045	R-PIN	ø3	2	
27	NL20250Z	LOCK NUT	M20	2	
28	B0900A-0000	COUPLER		1	

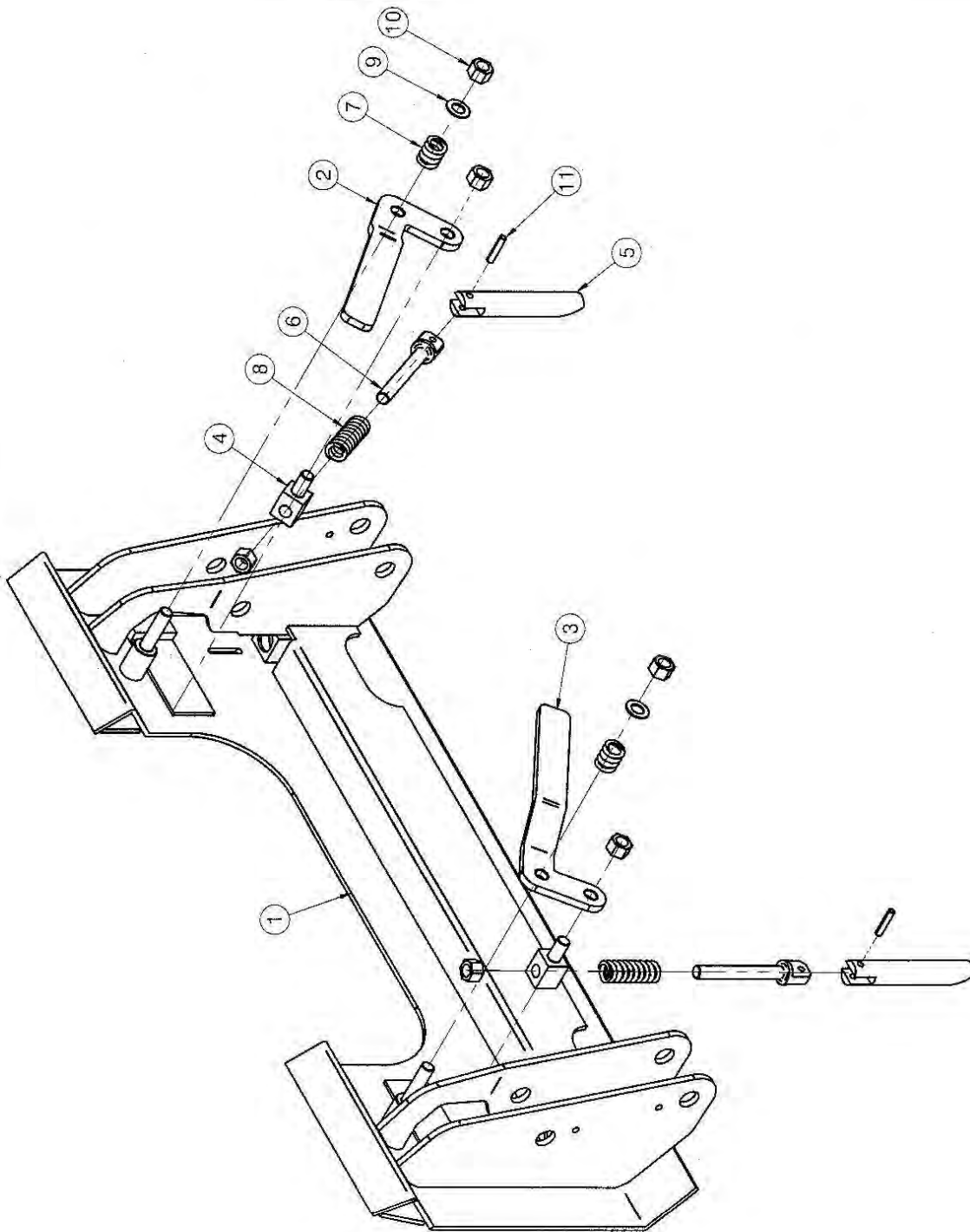
MOUNTING KIT



MOUNTING KIT

NO.	Part Number	Part Name	Description	Q'ty	REMARK
1	TC30A-1100	SUB FRAME, RH.		1	
2	TC30A-1200	SUB FRAME, LH.		1	
3	TC30A-4100	BUMPER		1	
4	ALK 28-09-810C	BRACKET-C/V		1	
5	BH08AA125Z	BOLT(10.9T)	M8x50L	3	
6	WP08M	PLAIN WASHER	M8	3	
7	WS08M	SPRING WASHER	M8	3	
8	NH08125Z	NUT	M8	3	
9	BH1086150Z	BOLT(10.9T)	M10x40L	2	
10	WS10M	SPRING WASHER	M10	2	
11	NH10150Z	NUT	M10	2	
12	BH14M5150Z	BOLT(10.9T)	M14x110Lx1.5P	7	
13	WS14M	SPRING WASHER	M14	7	
14	BH1699200Z	BOLT(10.9T)	M16x45L	2	
15	BH16B9200Z	BOLT(10.9T)	M16x55L	12	
16	WS16M	SPRING WASHER	M16	14	
17	NH16200Z	NUT	M16	2	

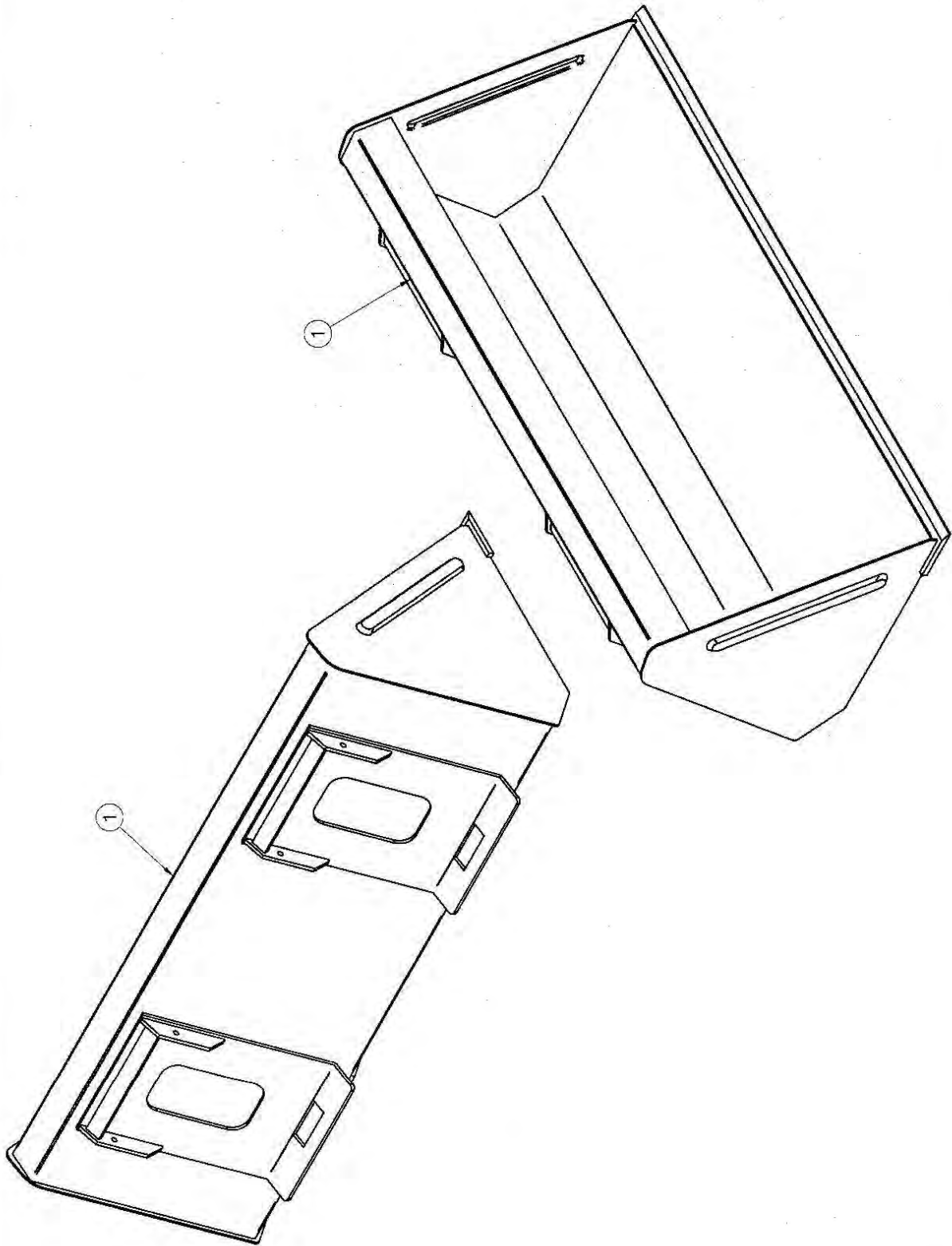
COUPLER



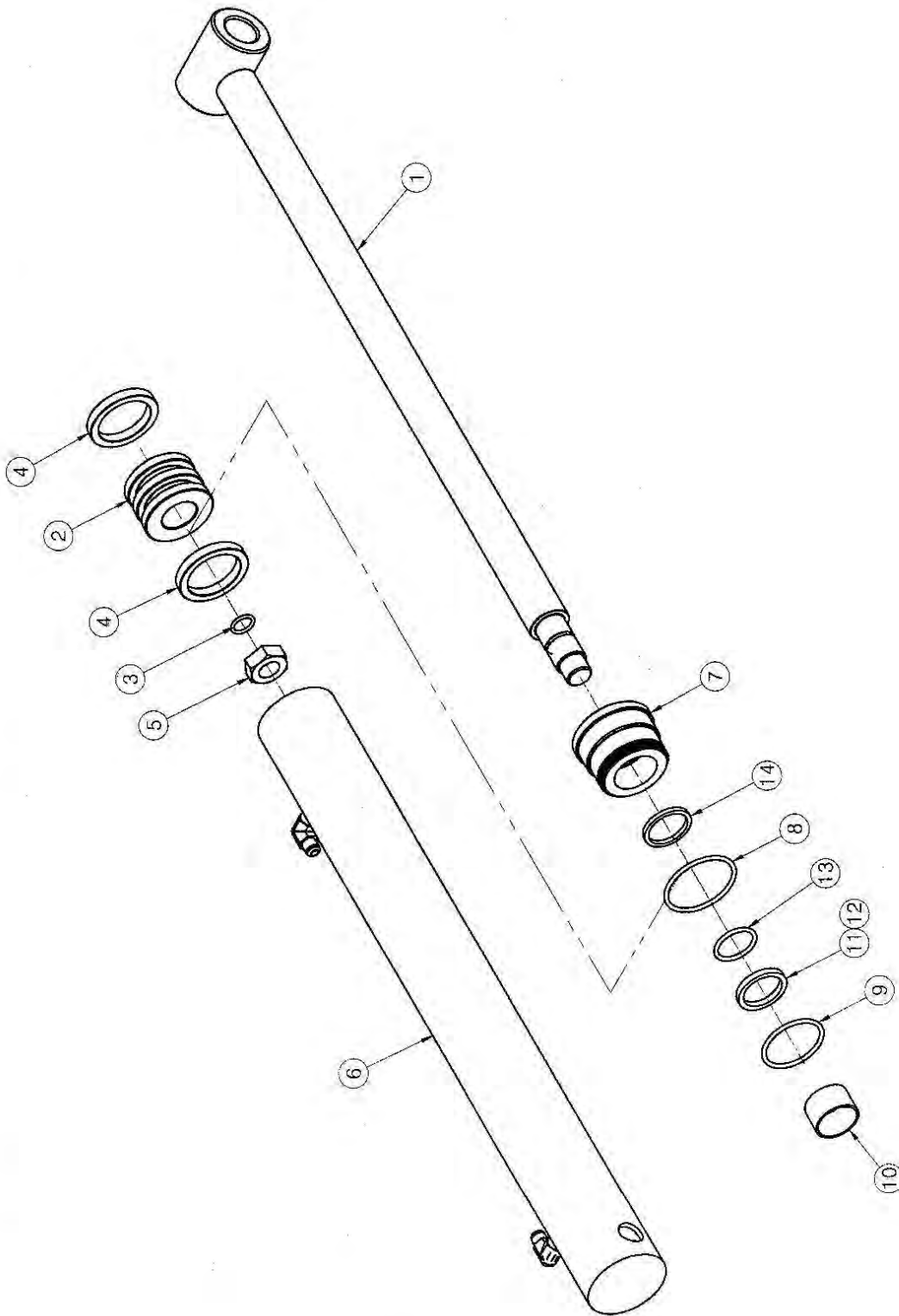
COUPLER

NO.	Part Number	Part Name	Description	Q'ty	REMARK
1	B0900A-2000	COUPLER B/C		1	
2	B0945A-1110	LEVER RH.	10t	1	
3	B0945A-1120	LEVER LH.	10t	1	
4	B0945A-1210	PIN	30x30	2	
5	B0945A-1220	PIN	Ø30	2	
6	B0945A-1230	PIN	Ø30	2	
7	B0945A-1310	SPRING	Ø5	2	
8	B0945A-1320	SPRING	Ø4.5	2	
9	WP16M	PLAIN WASHER	M16	2	
10	NL16200Z	LOCK NUT	M16	6	
11	PS08040	SPRING PIN	Ø8x40L	2	

BUCKET



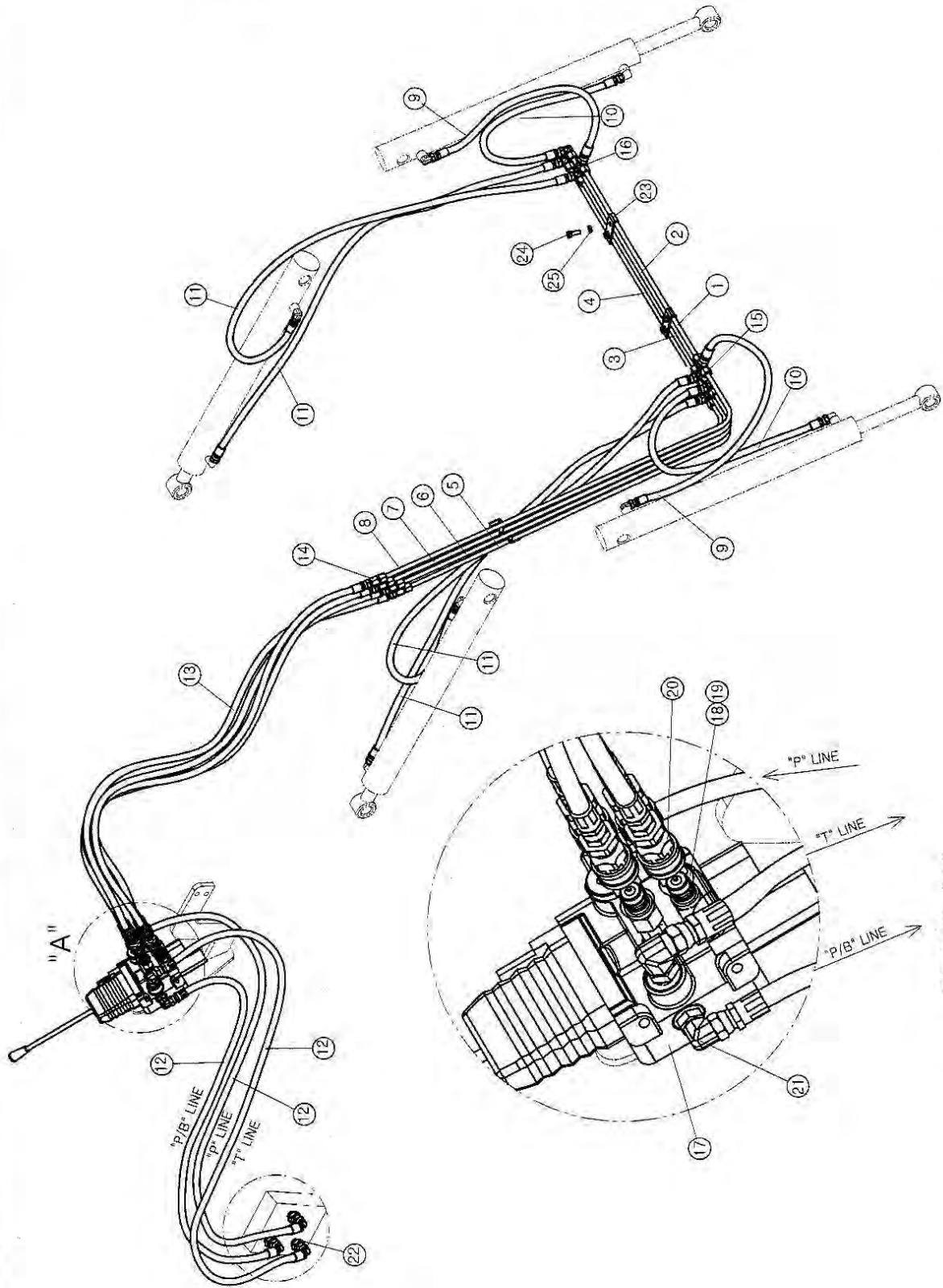
CYLINDER



CYLINDER

NO.	PART NAME	PART NUMBER		Q'TY	REMARK
		BUCKET	BOOM		
1	ROD	1850A-05-1110	1950A-05-2110	1	
2	PISTON	AL191-05-1120	AL191-05-1120	1	
3	O-RING	1BP18	1BP18	1	
4	U-PACKING	ODI 50x30x9	ODI 50x30x9	2	
5	NUT	AL191-05-1150	AL191-05-1150	1	
6	TUBE	1850A-05-1210	1950A-05-2210	1	
7	COVER ROD	AL191-05-1220	AL191-05-1220	1	
8	O-RING	1BG50	1BG50	1	
9	O-RING	1BP30	1BP30	1	
10	DU BUSH	AL191-05-1250	AL191-05-1250	1	
11	U-PACKING	ISI 30x40x6	ISI 30x40x6	1	
12	BACK UP RING	BRT3 30x40x2	BRT3 30x40x2	1	
13	O-RING	1BP44	1BP44	1	
14	DUST SEAL	LBI 30x38x5/6.5	LBI 30x38x5/6.5	1	
	SEAL KIT	SEAL 5030	SEAL 5030		
	(Include 3, 4, 8, 9, 11, 12, 13, 14)				

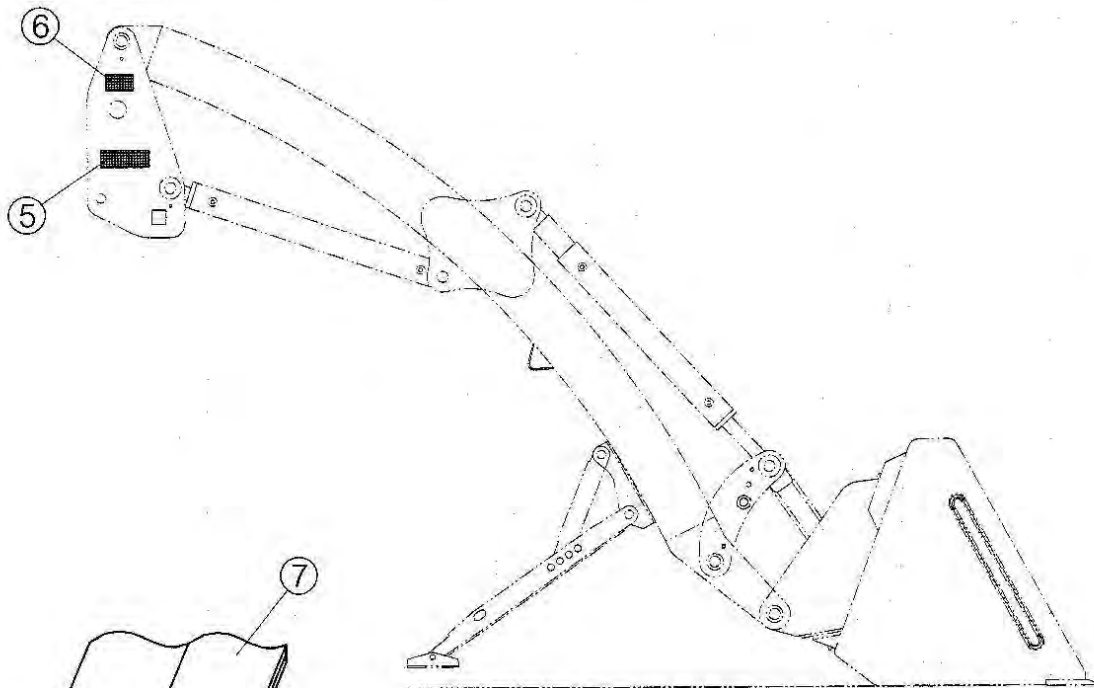
HYDRAULIC PARTS



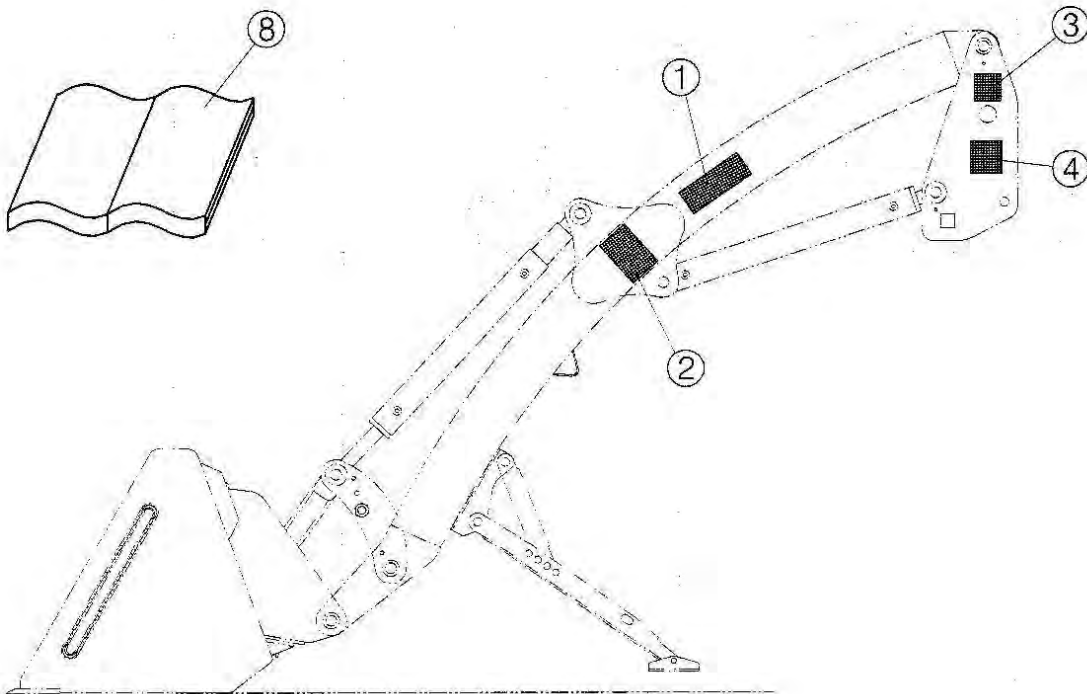
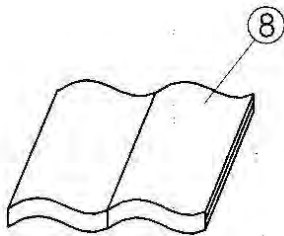
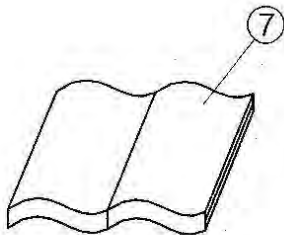
HYDRAULIC PARTS

NO.	PART NAME	PART NUMBER	Q'TY	REMARK
1	PIPE	1950A-07-1100	1	
2	PIPE	1950A-07-1200	1	
3	PIPE	1950A-07-1300	1	
4	PIPE	1950A-07-1400	1	
5	PIPE	1850A-07-1500	1	
6	PIPE	1850A-07-1600	1	
7	PIPE	1850A-07-1700	1	
8	PIPE	1850A-07-1800	1	
9	HOSE ASS'Y	5PG1-0100	2	
10	HOSE ASS'Y	5PG1-0770	2	
11	HOSE ASS'Y	5PG1-0780	4	
12	HOSE ASS'Y	3P81-0770	3	
13	HOSE ASS'Y	3P81-0850	4	
14	NIPPLE	ALK 28-07-9800	4	
15	TEE NIPPLE	ALK 28-07-9900	4	
16	ELBOW NIPPLE	ALK 28-07-9500	4	
17	CONTROL VALVE	ALK 28-09-800B	1	
18	O-RING NIPPLE	ALK 28-07-791A	4	
19	Q-COUPLER(M)	ALK 28-07-710A	4	
20	Q-COUPLER(F)	ALK 28-07-720A	4	
21	O-RING ELBOW	M7040-07-7050	3	
22	NIPPLE	TC40A-07-7010	3	
23	COVER	ALK28-07-9200	3	
24	BOLT	BH0855125X	6	
25	SPRING WASHER	WS08M	6	

DECAL & MANUAL



RH.



LH.

