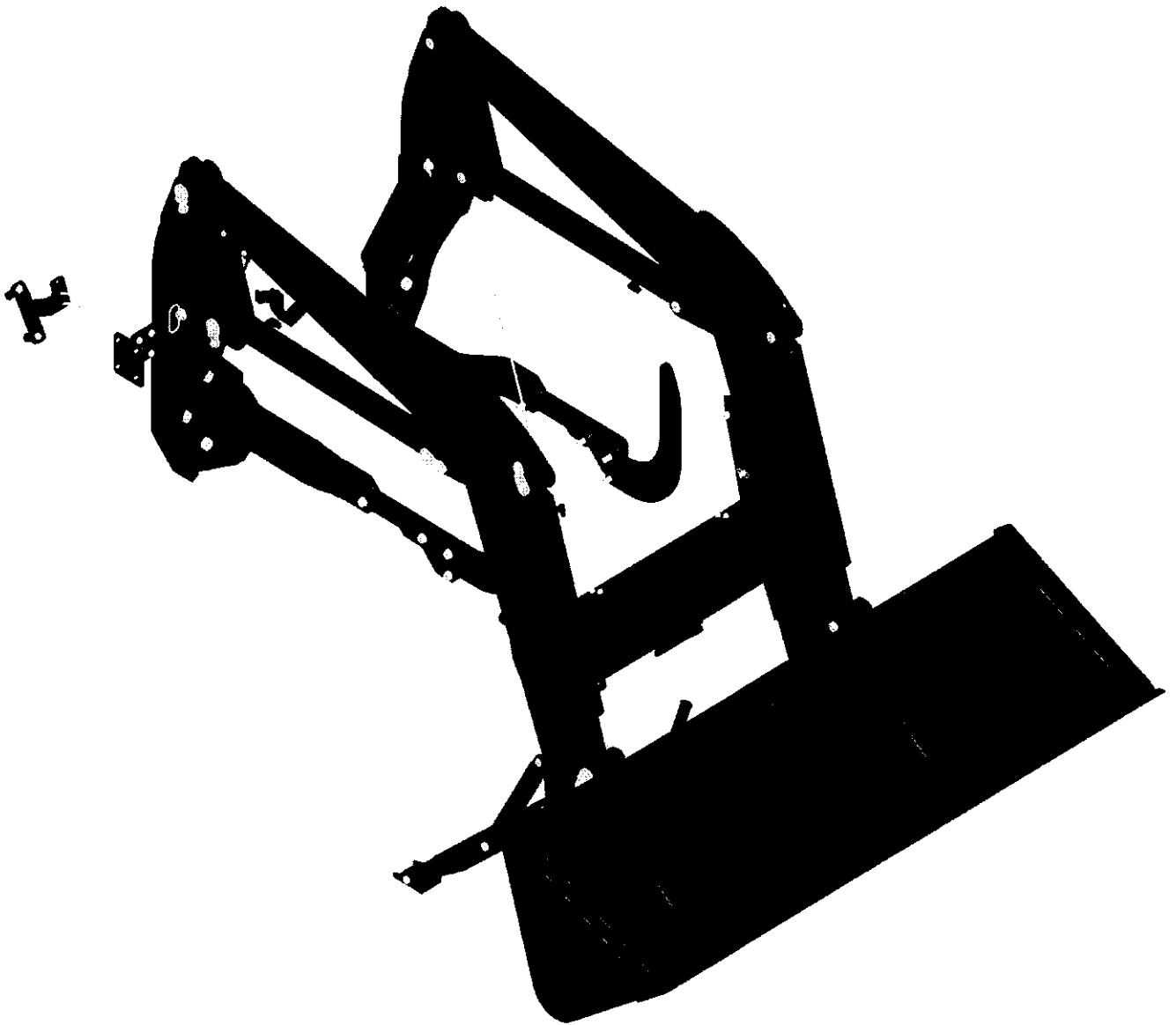


PARTS MANUAL

5090-QB

NEWHOLLAND TD5050



Front-End Loader

M10004

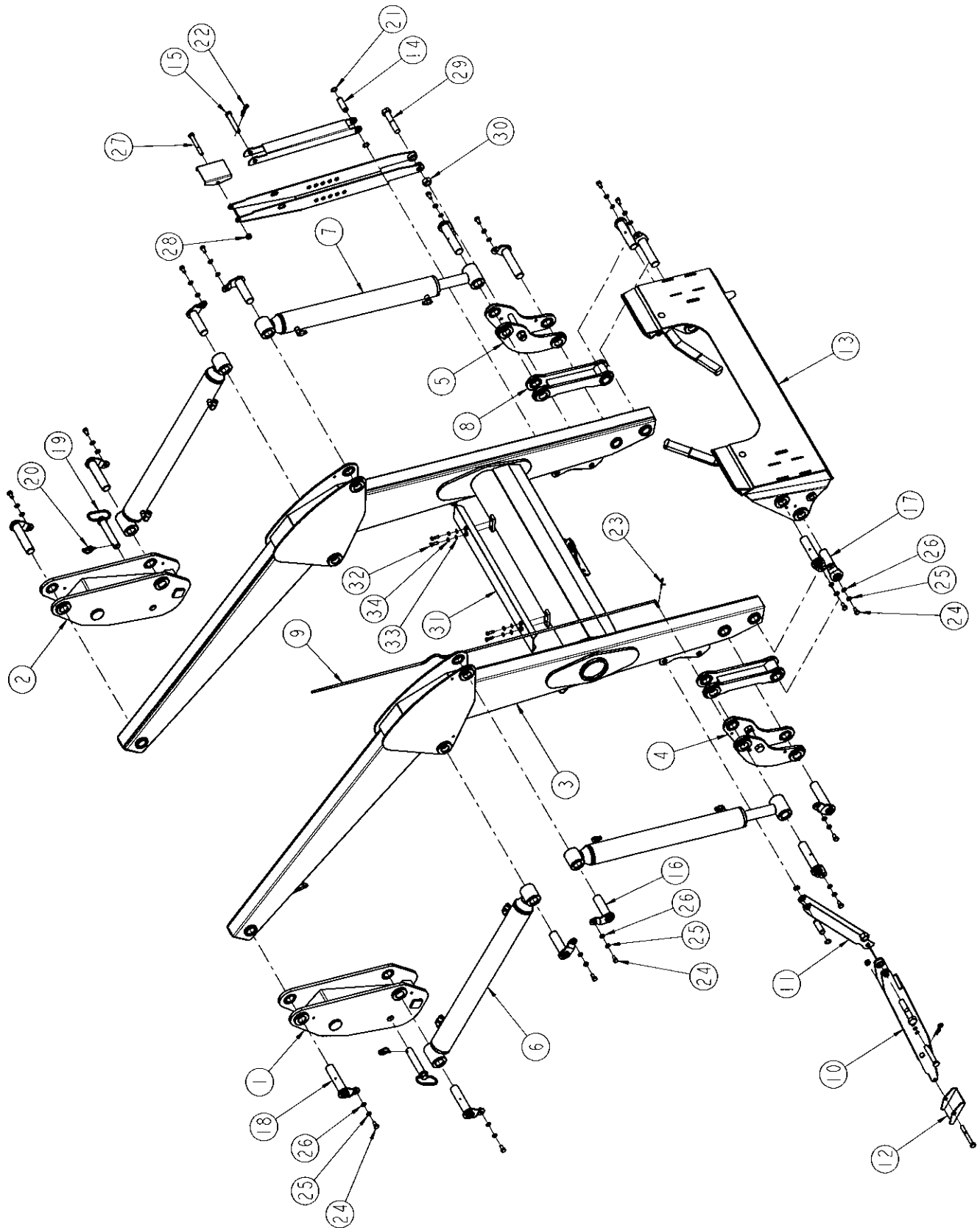
Printed 2010, 11, 02

Table of Contents

(5090-QB)

Boom Assembly -----	2
Coupler Assembly -----	4
Bucket Assembly -----	6
Mounting Kit Assembly -----	8
Cylinder Assembly -----	10
Hydraulic Parts -----	12
Decal & Manual -----	14

BOOM ASSEMBLY

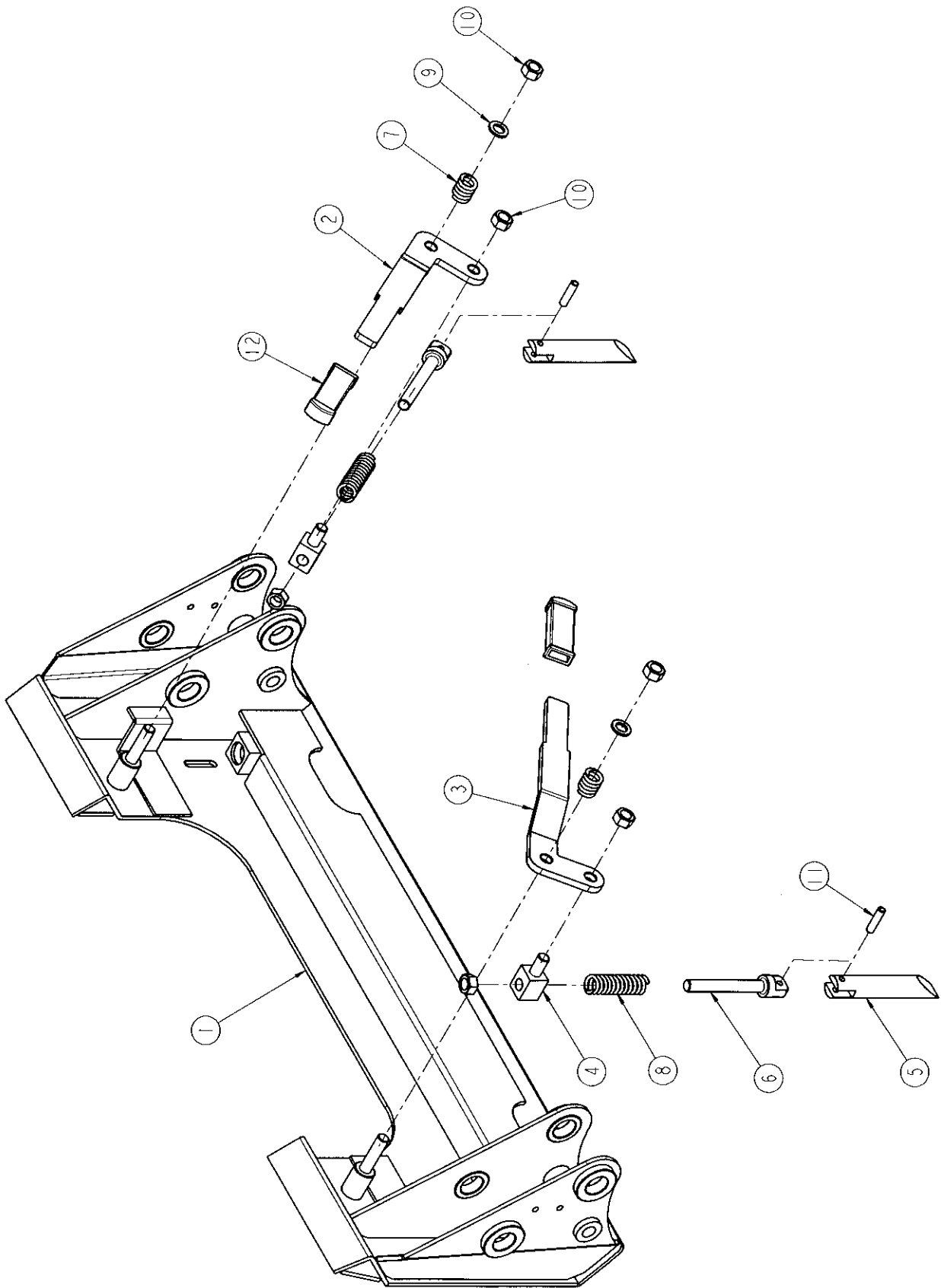


BOOM ASSEMBLY

(P/N:2320A)

NO.	PART NUMBER	PART NAME	DESCRIPTION	Q'TY	REMARK
1	2320A-3100	COLUMN RH.		1	
2	2320A-3200	COLUMN LH.		1	
3	2320A-0000	BOOM		1	
4	S2320A-6000	LINK BUCKET, RH.		1	
5	S2320A-7000	LINK BUCKET, LH.		1	
6	2320A-09-8000	CYLINDER BOOM	∅70x∅40xST560x880L	2	
7	2320A-09-9000	CYLINDER-BUCKET	∅70x∅40xST460x900L	2	
8	S2450C-4100	ROD-BUCKET		2	
9	7085A-4510	INDICATOR	∅8	1	
10	S7085A-8100	STAND		2	
11	S7085A-8200	LINK-STD	4t	2	
12	S7085A-8400	SUPPORTER	4t	2	
13	B1040A-0000	COUPLER B/C		1	
14	S7085A-8520	PIN	∅20	2	
15	S7085A-8530	PIN	∅16x100L	2	
16	P32A-110A	PIN	∅32	4	
17	P32A-130B	PIN		4	
18	P32A-140B	PIN	∅32	8	
19	P25C-1230	PIN-LEVER	∅25	2	
20	AL20-98-9990	LINK PIN		2	
21	SN20M	SNAP RING	∅20	4	
22	PR30045	R-PIN	∅3	2	
23	PD03025	COTTER PIN	∅3x25L	1	
24	BH1044150Z	BOLT(10.9T)	M10x20L	16	
25	WS10M	SPRING WASHER	M10	16	
26	WP10M	PLAIN WASHER	M10	16	
27	BH12K7175Z	BOLT(10.9T)	M12x100L	2	
28	NL12175Z	LOCK NUT	M12	2	
29	BH20K5250X	BOLT(10.9T)	M20x100L	2	
30	NL20250Z	LOCK NUT	M20	2	
31	2320A-7010	COVER	2.3t	1	
32	BH0855125X	BOLT(10.9T)	M8x25L	4	
33	WP08M	PLAIN WASHER	M8	4	
34	WS08M	SPRING WASHER	M8	4	

COUPLER ASSEMBLY

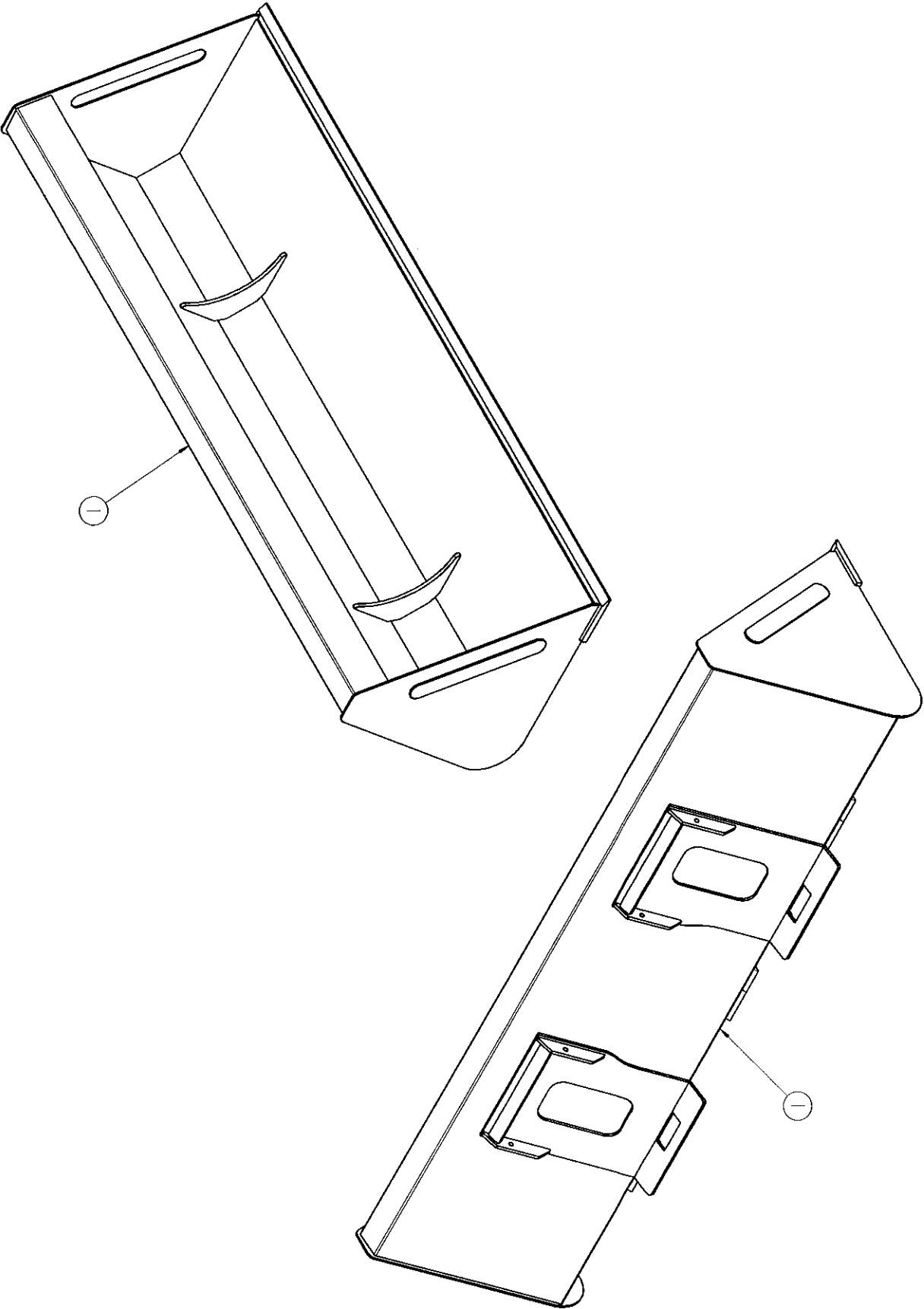


COUPLER ASSEMBLY

(P/N: B1040A-0000)

NO.	PART NUMBER	PART NAME	DESCRIPTION	Q'TY	REMARK
1	B1040A-2000	COUPLER B/C		1	
2	B0945A-111A	LEVER RH.	10†	1	
3	B0945A-112A	LEVER LH.	10†	1	
4	B0945A-1210	PIN	30x30	2	
5	B0945A-1220	PIN	∅30	2	
6	B0945A-1230	PIN	∅30	2	
7	B0945A-1310	SPRING	∅5	2	
8	B0945A-1320	SPRING		2	
9	WP16M	PLAIN WASHER	M16	2	
10	NL16200Z	LOCK NUT	M16	6	
11	PS08040	SPRING PIN	∅8x40L	2	
12	B0945A-1130	HANDLE		2	

BUCKET ASSEMBLY



LP58-02-000C

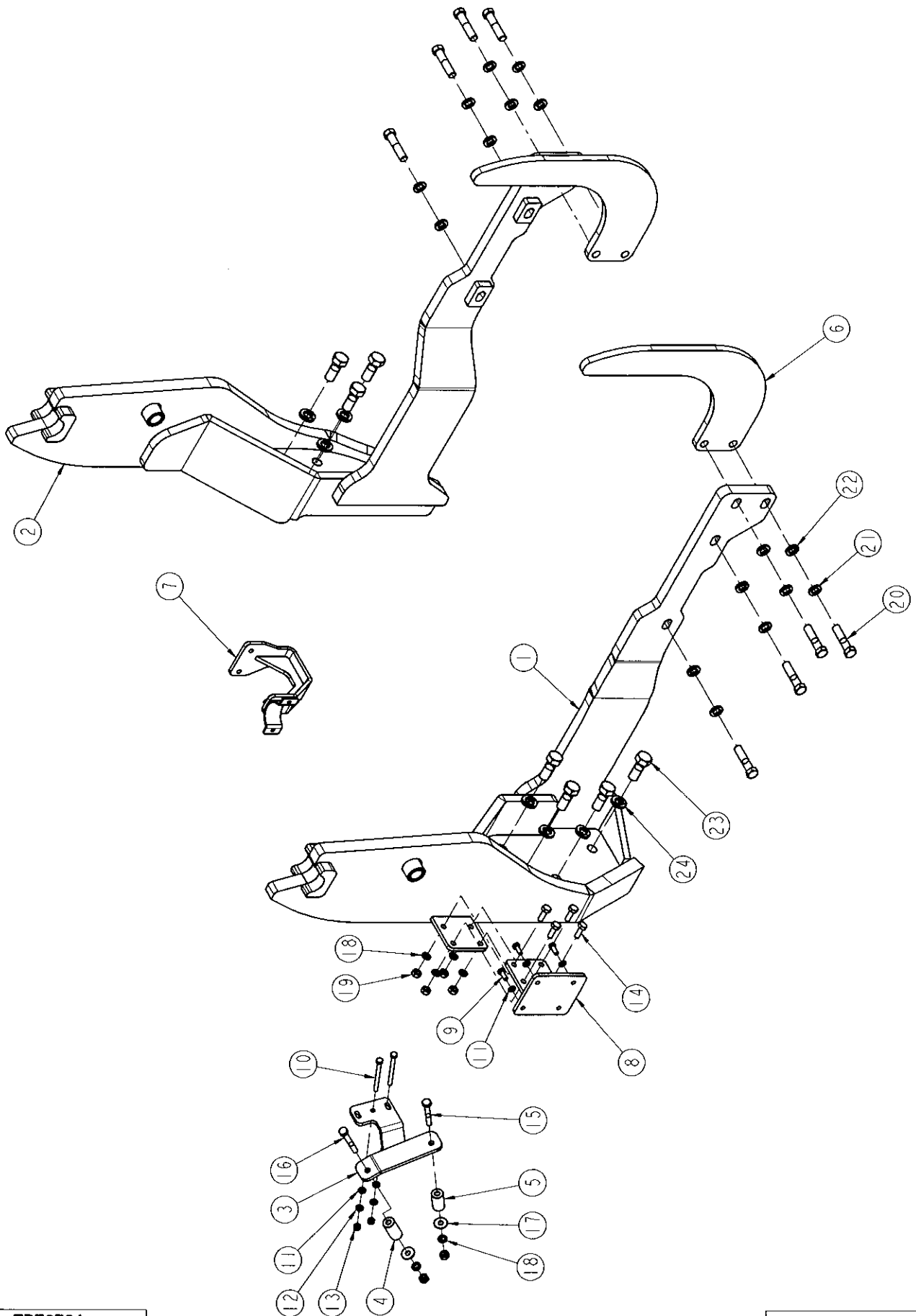
BK005.00-D00

BUCKET ASSEMBLY

(P/N: LP58-02-000C)

NO.	PART NUMBER	PART NAME	DESCRIPTION	QTY	REMARK
1	LP58-02-000C	BUCKET	L=2100	1	

MOUNTING KIT ASSEMBLY

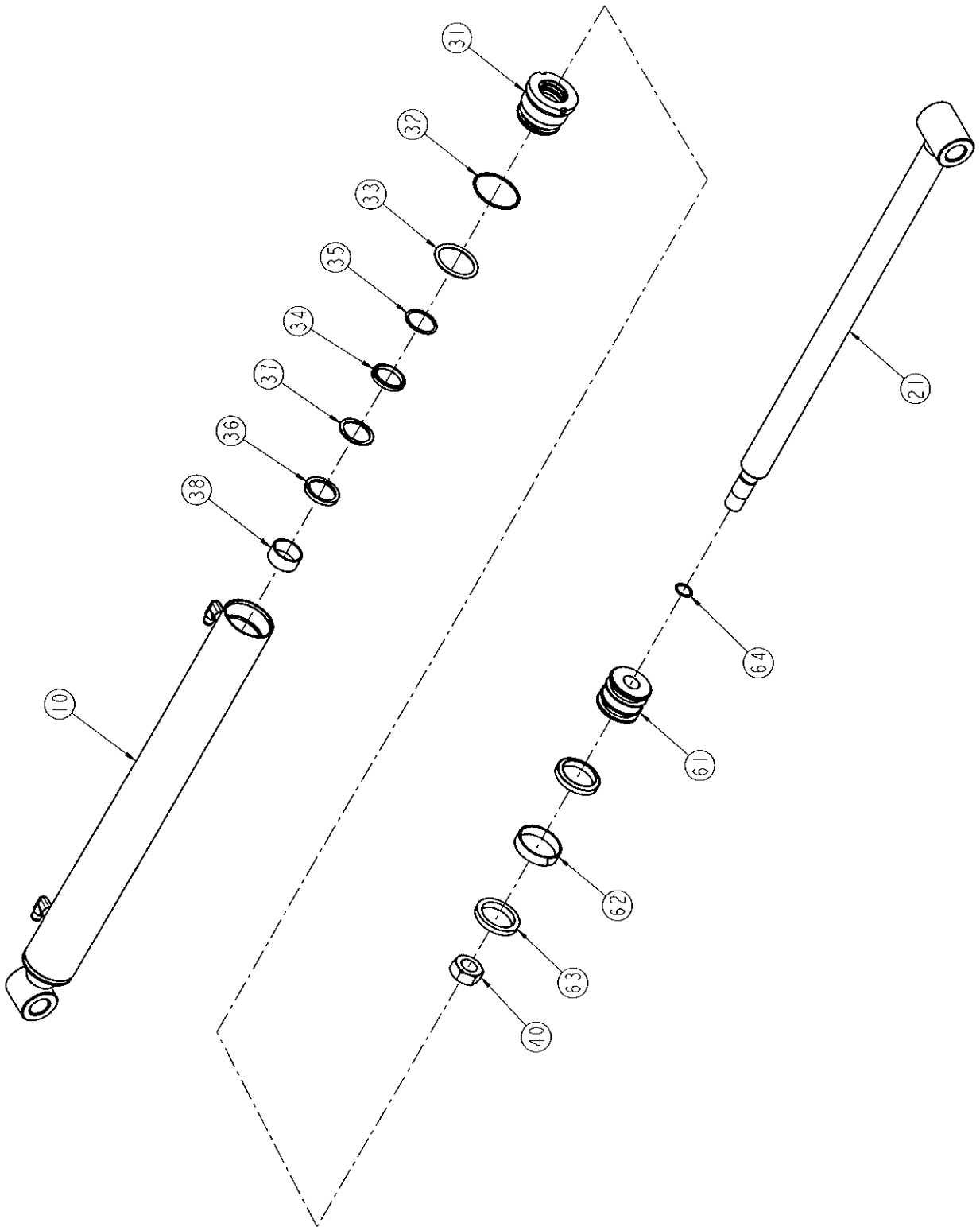


MOUNTING KIT ASSEMBLY

(P/N:TD5050A)

NO.	PART NUMBER	PART NAME	DESCRIPTION	Q'TY	REMARK
1	TD5050A-1100	FRAME RH.		1	
2	TD5050A-1200	FRAME LH.		1	
3	TD5030A-1810	LEVER BRACKET	8t	1	
4	TD5030A-1820	BUSHING	∅10.5x∅25x55L	1	
5	TD5030A-1830	BUSHING	∅10.5x∅25x45L	1	
6	TD5030A-6100	BUMPER	16t	2	
7	TD5050A-7100	MUFFLER BRACKET		1	
8	TD5030A-9100	VALVE BRACKET		1	
9	BH0844125Z	BOLT(10.9T)	M8x20L	4	
10	BH0815125Z	BOLT(10.9T)	M8x90L	2	
11	WS08M	SPRING WASHER	M8	6	
12	WP08M	PLAIN WASHER	M8	2	
13	NH08125Z	NUT	M8	2	
14	BH1066150Z	BOLT(10.9T)	M10x30L	4	
15	BH10E6150Z	BOLT(10.9T)	M10x65L	1	
16	BH10G6150Z	BOLT(10.9T)	M10x80L	1	
17	WP10W	PLAIN WASHER	M10 WOOD	2	
18	WS10M	SPRING WASHER	M10	6	
19	NH10150Z	NUT	M10	6	
20	BH16E8150Z	BOLT(10.9T)	M16x70Lx1.5P	8	
21	WP16M	PLAIN WASHER	M16	8	
22	WS16M	SPRING WASHER	M16	8	
23	BH20A6250Z	BOLT(10.9T)	M20x50L	8	
24	WS20M	SPRING WASHER	M20	8	

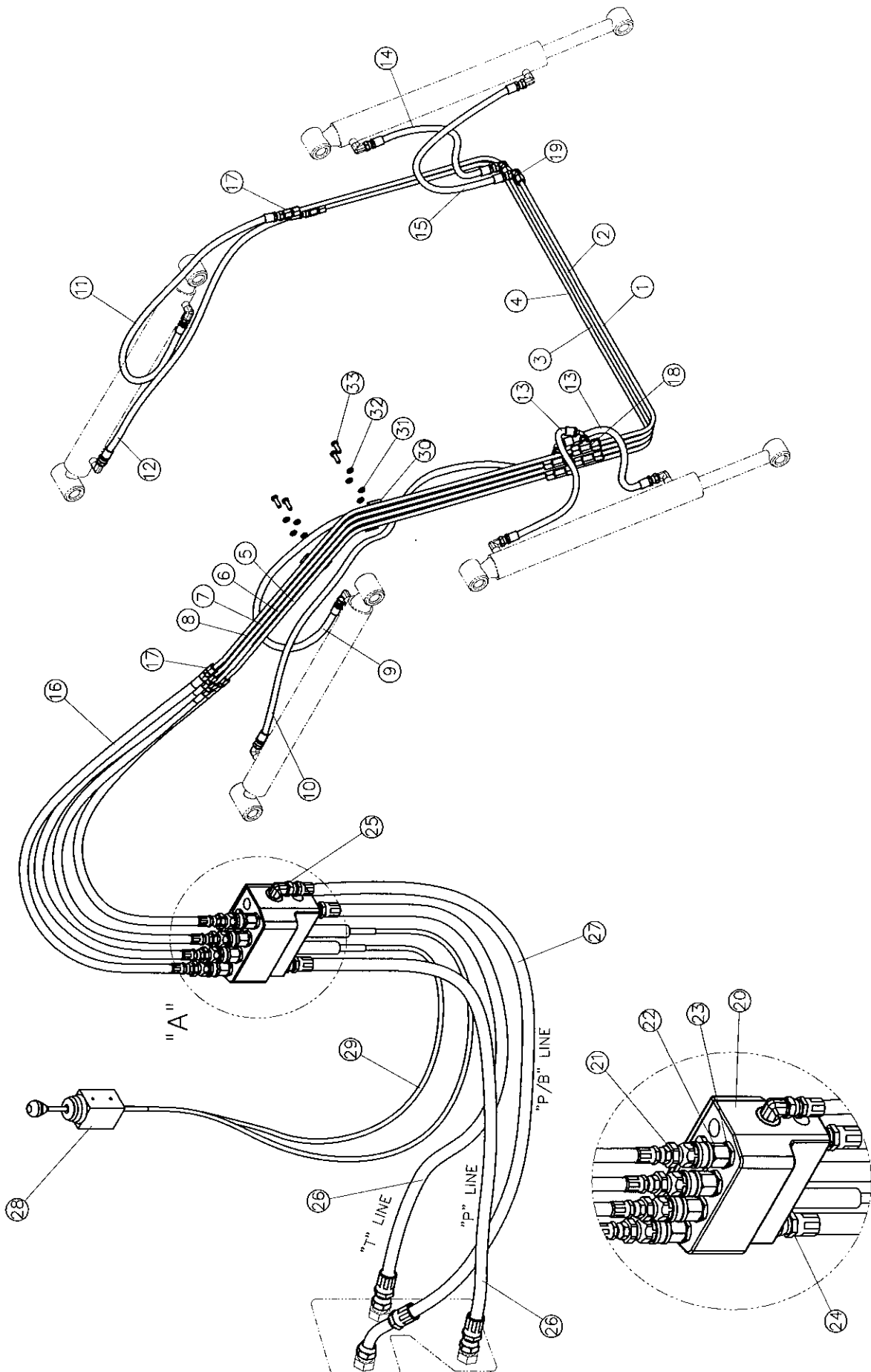
CYLINDER ASSEMBLY



CYLINDER ASSEMBLY

NO.	PART NAME	PART NUMBER		Q'TY	REMARK
		BUCKET (2320A-09-9000)	BOOM (2320A-09-8000)		
10	TUBE	2320A-05-1210	2320A-05-2210	1	
21	ROD	2320A-05-1110	2320A-05-2110	1	
31	COVER ROD	CR7040	CR7040	1	
32	O-RING	1BG70	1BG70	1	
33	O-RING	1BP60	1BP60	1	
34	DUST SEAL	LBW 40x48x5/6.5	LBW 40x48x5/6.5	1	
35	O-RING	1BP40	1BP40	1	
36	U-PACKING	ISW 40x50x6	ISW 40x50x6	1	
37	BACK UP RING	BRWW 40x50x2	BRWW 40x50x2	1	
38	DU BUSH	DU4020	DU4020	1	
40	NUT	CY-M24	CY-M24	1	
61	PISTON	PI7040-W	PI7040-W	1	
62	WEAR-RING	WRW 70x65x15	WRW 70x65x15	1	
63	U-PACKING	ODW 70x55x9	ODW 70x55x9	2	
64	O-RING	1BP21	1BP21	1	
	SEAL KIT (Include 32,33, 34,35,36,37,63,64)	SEAL 7040	SEAL 7040	1	

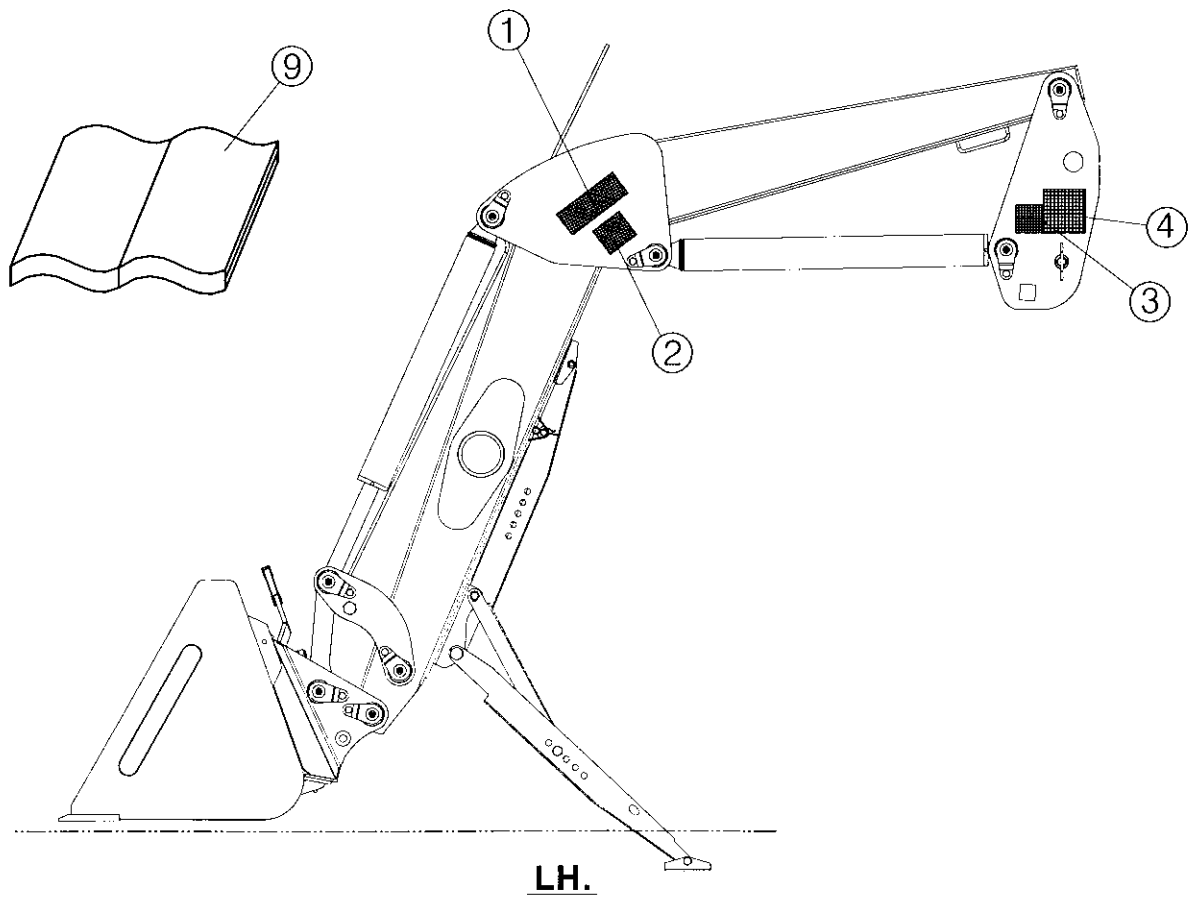
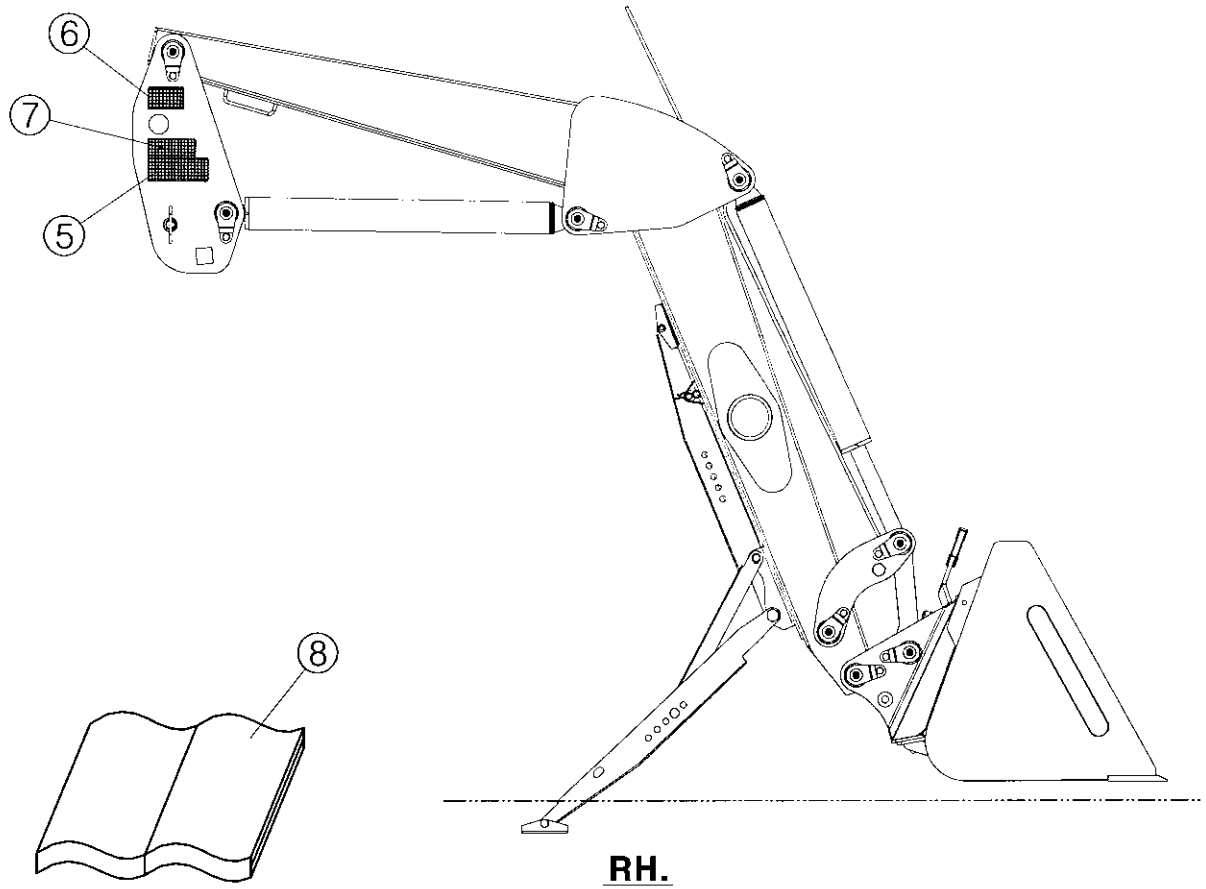
HYDRAULIC PARTS



HYDRAULIC PARTS

NO.	PART NAME	PART NUMBER	Q'TY	REMARK
1	PIPE	2320A-07-1100	1	
2	PIPE	2320A-07-1200	1	
3	PIPE	2320A-07-1300	1	
4	PIPE	2320A-07-1400	1	
5	PIPE	2320A-07-1500	1	
6	PIPE	2320A-07-1600	1	
7	PIPE	2320A-07-1700	1	
8	PIPE	2320A-07-1800	1	
9	HOSE ASS'Y	3P82-0470	1	BOOM RH, 上
10	HOSE ASS'Y	3P82-0030	1	BOOM RH, 下
11	HOSE ASS'Y	3P82-0350	1	BOOM LH, 上
12	HOSE ASS'Y	3P82-0340	1	BOOM LH, 下
13	HOSE ASS'Y	3P82-0390	2	BUCKET RH
14	HOSE ASS'Y	3P82-0250	1	BUCKET LH, 上
15	HOSE ASS'Y	3P82-0360	1	BUCKET LH, 下
16	HOSE ASS'Y(COVER)	3P82-0370	4	BOOM - Q/C
17	NIPPLE	7085-07-9800	6	
18	TEE NIPPLE	7085-07-9900	4	
19	ELBOW NIPPLE	7085-07-9600	2	
20	CONTROL VALVE	SDM143	1	Walvoil 社
21	Q-COUPLER(M)	ALK28-07-7400	4	
22	Q-COUPLER(F)	ALK28-07-7300	4	
23	NIPPLE	7085-07-791A	4	C/V A, B PORT
24	NIPPLE	7085-07-7920	2	C/V P, T PORT
25	ELBOW NIPPLE	7085-07-7940	1	C/V P/B PORT
26	HOSE ASS'Y	5P82-0140	2	C/V P, T LINE
27	HOSE ASS'Y	5P82-0150	1	C/V P/B LINE
28	JOYSTICK LEVER ASSY	SCF031	1	Walvoil 社
29	CABLE	CD2000	1	Walvoil 社
30	COVER	ALN47-07-3100	2	
31	BOLT	BH0855125X	4	
32	SPRING WASHER	WS08M	4	
33	PLAIN WASHER	WP08M	4	

DECAL & MANUAL



DECAL & MANUAL

NO.	PART NAME	PART NUMBER	Q'TY	REMARK
1	DECAL	03L01	1	
2	DECAL	03L02	1	
3	DECAL	03L03	1	
4	DECAL	03L04	1	
5	DECAL	03L05	1	
6	DECAL	03L06	1	
7	DECAL	03L00	1	
8	OPERATOR'S MANUAL	M03L01	1	
9	PARTS MANUAL	M10004	1	